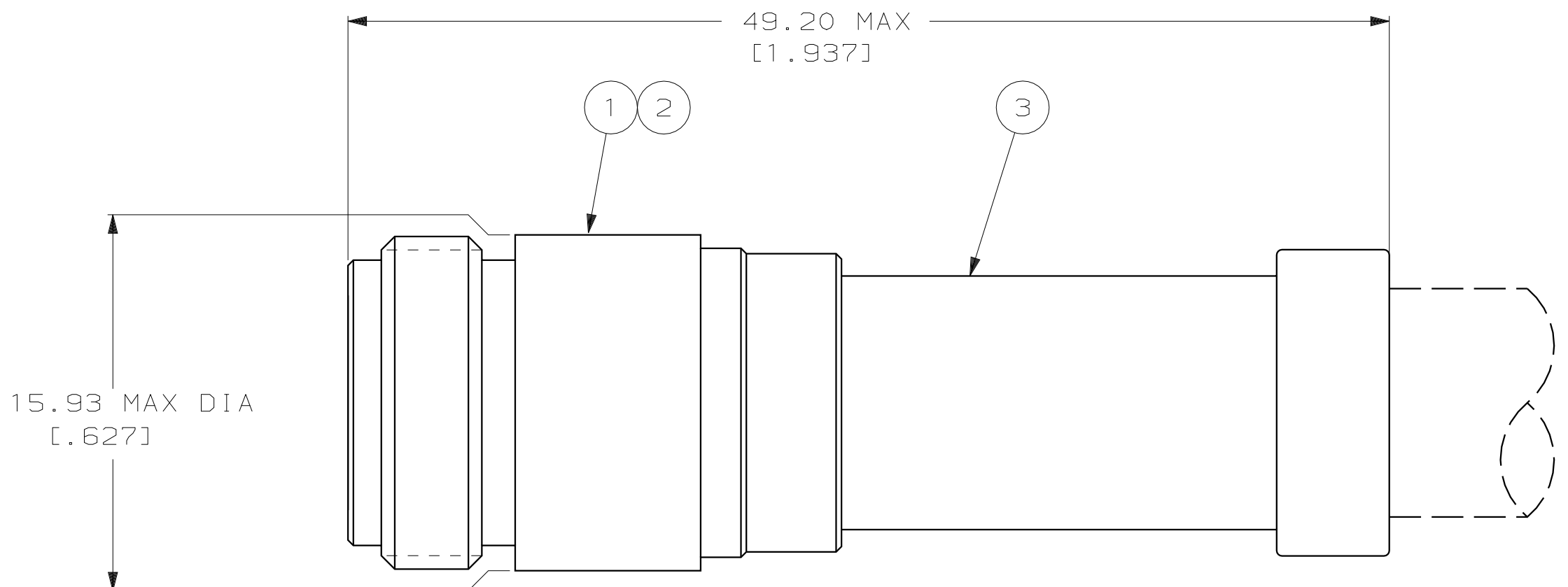
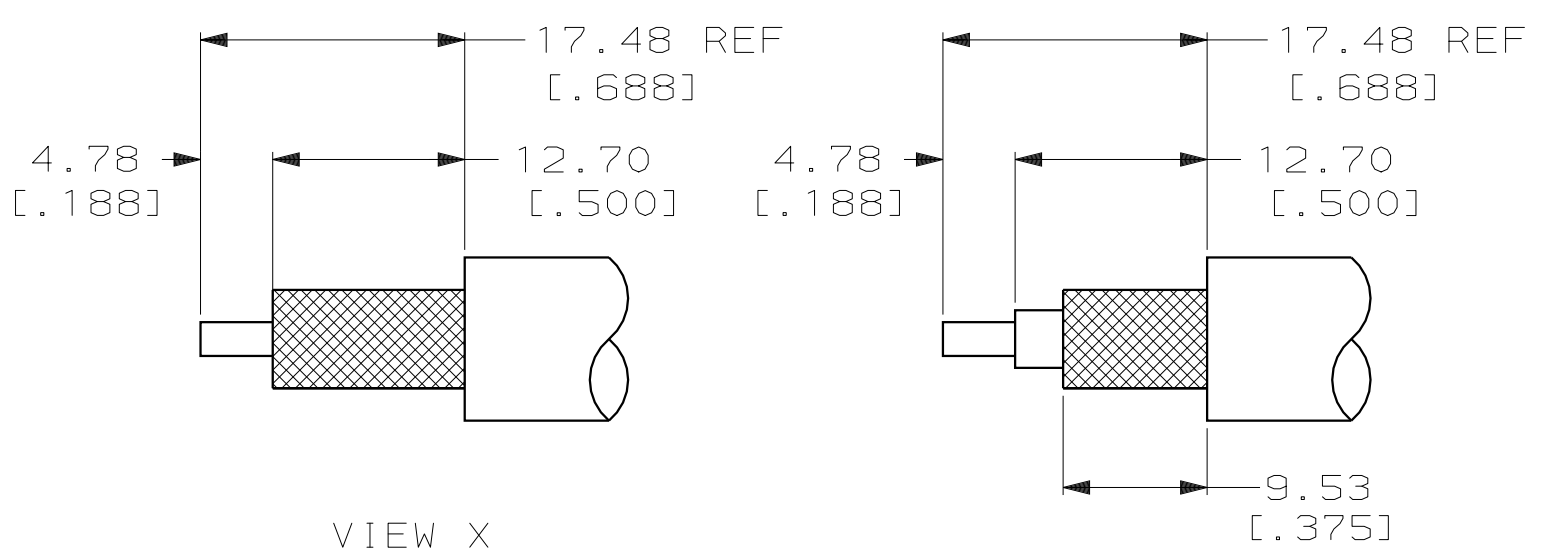


THIS DRAWING IS UNPUBLISHED. RELEASED FOR PUBLICATION  
 © COPYRIGHT 19 BY AMP INCORPORATED. ALL INTERNATIONAL RIGHTS RESERVED.

LOC		DIST		P		F		ZONE		LTR		REVISIONS		DATE	APPD	
AJ	16											J	REV PER 0H14-0755-04	CT	12-10-04	DE



1. SEE I.S SHEET 2028-2



RECOMMENDED STRIP LENGTHS

OBSOLETE	Y	TBD	BXS 7004-501	7-225093-3 AMP	225612-2	51704-2	225082-5	7-225093-3
OBSOLETE	Y	220015-1	RG-213/U	7-225093-2 AMP	1-331987-3	51704-2	225082-1	7-225093-2
OBSOLETE	X	220015-1	RG-214/U	7-225093-1 AMP	331987	51704-2	225082-1	7-225093-1
OBSOLETE	-	-	-	-	-	-	-	1-225093-6
OBSOLETE	Y	220015-1	AMPHENOL 621-111	1-225093-4 AMP	1-331987-3	1-51704-8	225082-1	1-225093-4
OBSOLETE	Y	220015-1	RG-11A/U & RG-144/U	00779M39012/02B0014 AMP & DATE CODE	1-331987-3	51704-8	225082-1	225093-4
OBSOLETE	Y	220015-1	RG-213/U	00779M39012/02B0008 AMP & DATE CODE	1-331987-3	51704-2	225082-1	225093-2
OBSOLETE	X	220015-1	RG-214/U	00779M39012/02B0009 AMP & DATE CODE	331987	51704-2	225082-1	225093-1

VIEW	CRIMP TOOL	CABLE	STAMPING	①	③ FERRULE QTY=1	② CONTACT QTY=1	① JACK ASSY QTY=1	PART NO
------	------------	-------	----------	---	--------------------	--------------------	----------------------	---------

DO NOT SCALE PRINT.  
 UNLESS SPECIFIED  
 DIMENSIONS IN mm [INCHES]  
 TOLERANCES ON :  
 2 PLC DEC ± 0.41 [.016]  
 3 PLC DEC ± -  
 ANGLES ± -  
 MATERIAL -  
 FINISH -  
 WEIGHT -

DR 11-4-91  
 M. SNEED  
 CHK 11-5-91  
 R. HENRY  
 APPD 11-5-91  
 R. HENRY  
 APPD 11-5-91  
 M. SNEED  
 PRODUCT SPEC  
 108-12019  
 APPLICATION SPEC  
 -  
 WEIGHT -

**AMP** AMP Incorporated  
 Harrisburg, PA 17105-3608

NAME  
 JACK, WEATHERPROOF, SERIES N

SIZE CAGE CODE DRAWING NO  
 © 00779 225093

SCALE SHEET  
 - 1 OF 1