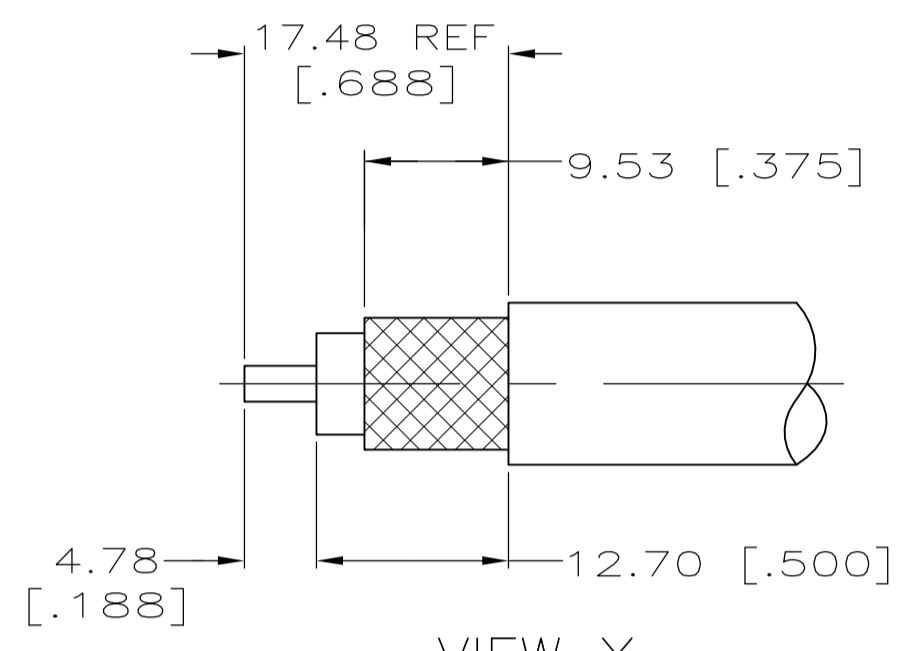
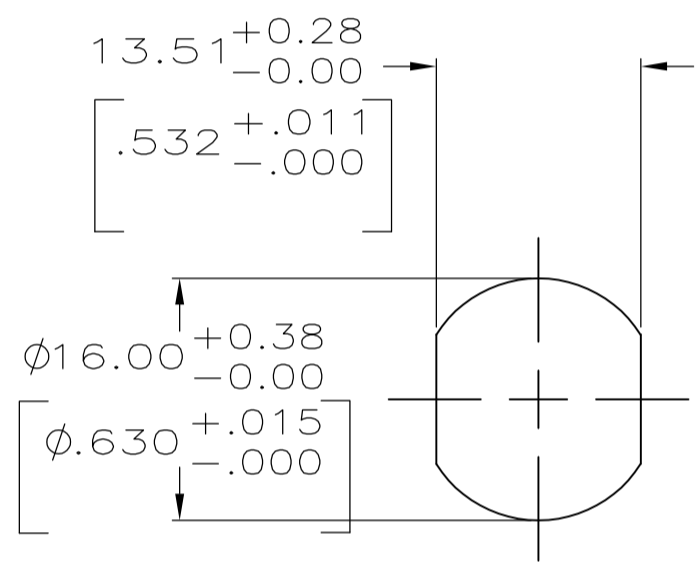


REVISIONS				
P	LTR	DESCRIPTION	DATE	APPV
P	REV PER ECO	17-007774	5-31-17	CT DW

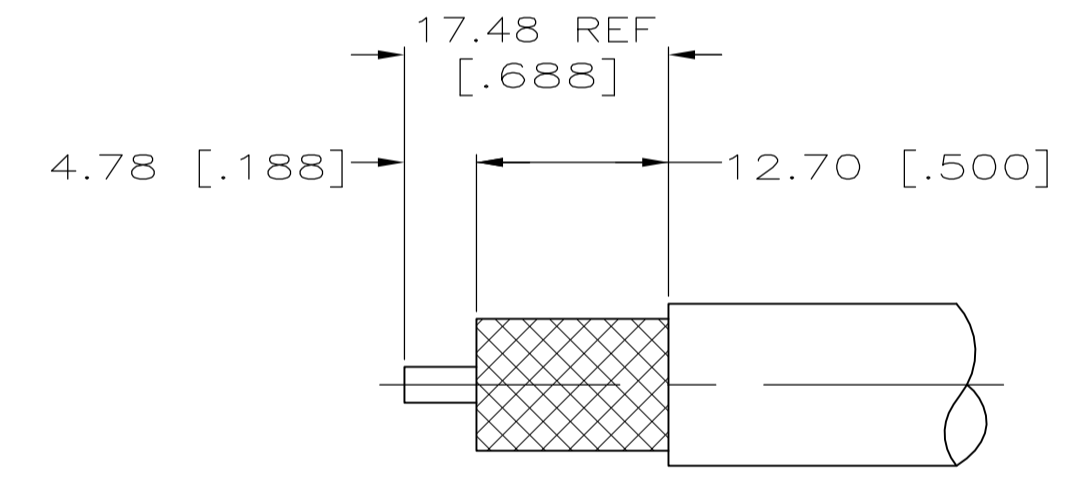
1. SEE I.S. 2028-3



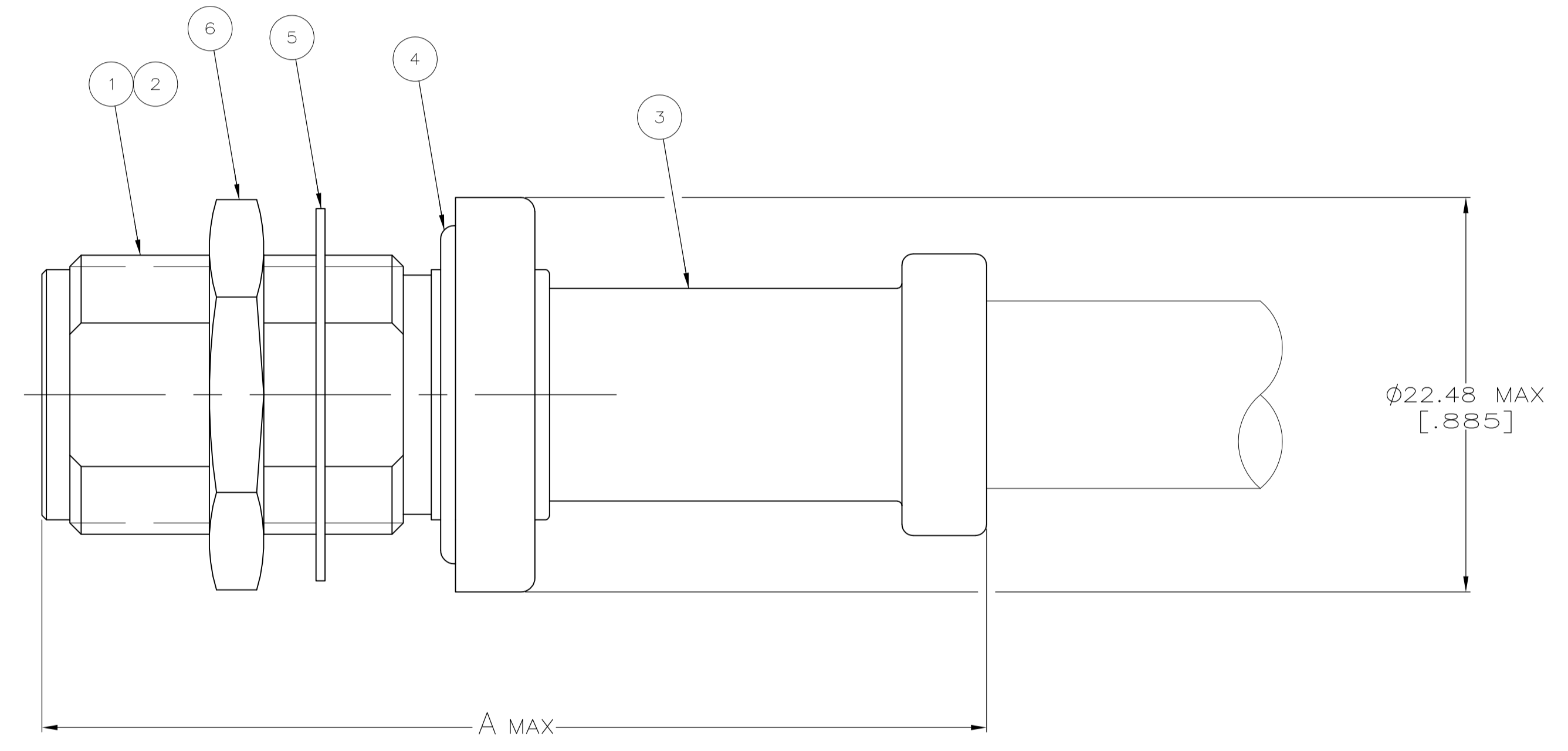
VIEW Y  
RECOMMENDED STRIP LENGTH  
SCALE 2:1



RECOMMENDED  
PANEL CUTOUT  
SCALE 2:1



VIEW X  
RECOMMENDED STRIP LENGTH  
SCALE 2:1



	RG-213/U	7-225094-2 AMP	Y	220015-1	53.98 [2.125]	1-332004-0	50687	22132-3	1-331987-3	51704-4	225085-1	7-225094-2
	RG-214/U	7-225094-1 AMP	X	220015-1	53.98 [2.125]	1-332004-0	50687	22132-3	331987	51704-4	225085-1	7-225094-1
	MICRODOT 250-4171 & 250-4207	1-225094-5 AMP	Y	220015-3	53.16 [2.093]	1-332004-9	50687	22132-3	225612-1	51704-4	225905-2	1-225094-5
	MICRODOT 250-4172 & 250-4208	1-225094-4 AMP	Y	220015-3	53.16 [2.093]	1-332004-9	50687	22132-3	9-225612-0	51704-4	225905-1	1-225094-4
	RG-214/U	10688469 AMP	X	220015-1	53.98 [2.125]	1-332004-0	50687	22132-3	331987	51704-4	225085-1	1-225094-0
OBSOLETE	-	-	-	-	-	-	-	-	-	-	-	1-225094-2
OBSOLETE	RG-115A/U	225094-8 AMP	X	220015-1	53.98 [2.125]	1-332004-0	50687	22132-3	1-331987-3	51704-4	225085-2	225094-8
OBSOLETE	RG-225/U	00779M39012/03B0009 AMP & DATE CODE	X	220015-1	53.98 [2.125]	1-332004-0	50687	22132-3	331987	1-51704-6	225085-1	225094-7
OBSOLETE	-	-	-	-	-	-	-	-	-	-	-	225094-6
OBSOLETE	RG-216/U	00779M39012/03B0011 AMP & DATE CODE	X	220015-1	53.98 [2.125]	1-332004-0	50687	22132-3	331987	1-51704-4	225085-1	225094-5
	RG-213/U	00779M39012/03B0004 AMP & DATE CODE	Y	220015-1	53.98 [2.125]	9-332004-0	9-50687-0	22132-3	9-331987-4	51704-4	225085-1	225094-2
	RG-214/U	00779M39012/03B0005 AMP & DATE CODE	X	220015-1	53.98 [2.125]	9-332004-0	9-50687-0	22132-3	9-331987-3	51704-4	225085-1	225094-1
	CABLE SIZE	STAMPING	VIEW	CRIMP TOOL	A	⑥ JAM NUT QTY=1	⑤ LOCKWASHER QTY=1	④ O-RING QTY=1	③ FERRULE QTY=1	② CONTACT QTY=1	① JACK ASSY QTY=1	PART NUMBER

THIS DRAWING IS A CONTROLLED DOCUMENT.

DIMENSIONS: INCHES	TOLERANCES UNLESS OTHERWISE SPECIFIED:	DIN B SCOTT 07-08-91	APVD M. SNFED 10-25-91	NAME
0 PLC ± -	1 PLC ± -	2 PLC ± 0.41 [016]	3 PLC ± -	4 PLC ± -
ANGLES ± -				
MATERIAL	FINISH	WEIGHT 0.000000	SIZE A1	CAGE CODE 00779
		DRAWING NO. 225094	RESTRICTED TO	
		CUSTOMER DRAWING	SCALE 4:1	SHEET 1 OF 1

**STE** TE Connectivity  
 JACK, BULKHEAD, WEATHERPROOF, SERIES N  
 PRODUCT SPEC 108-12019  
 APPLICATION SPEC