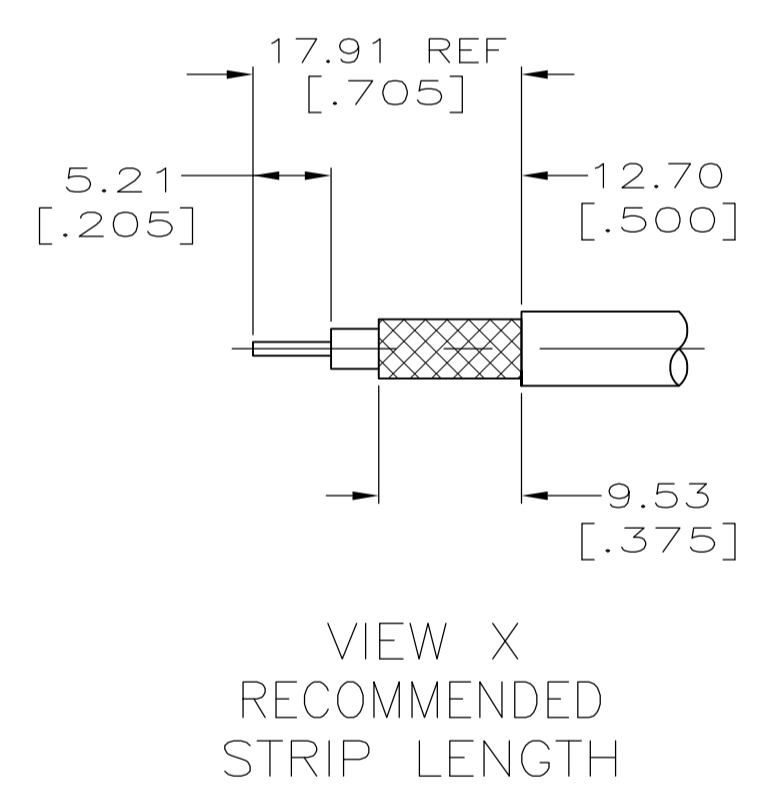
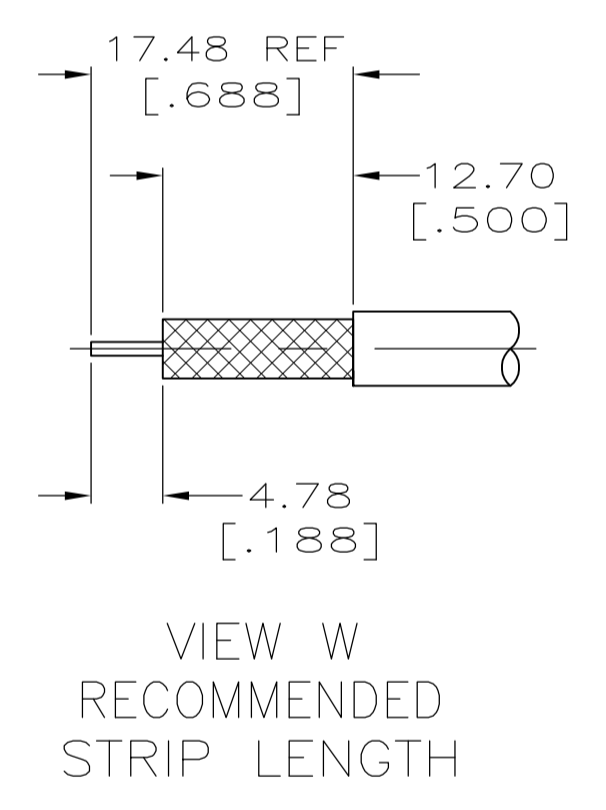
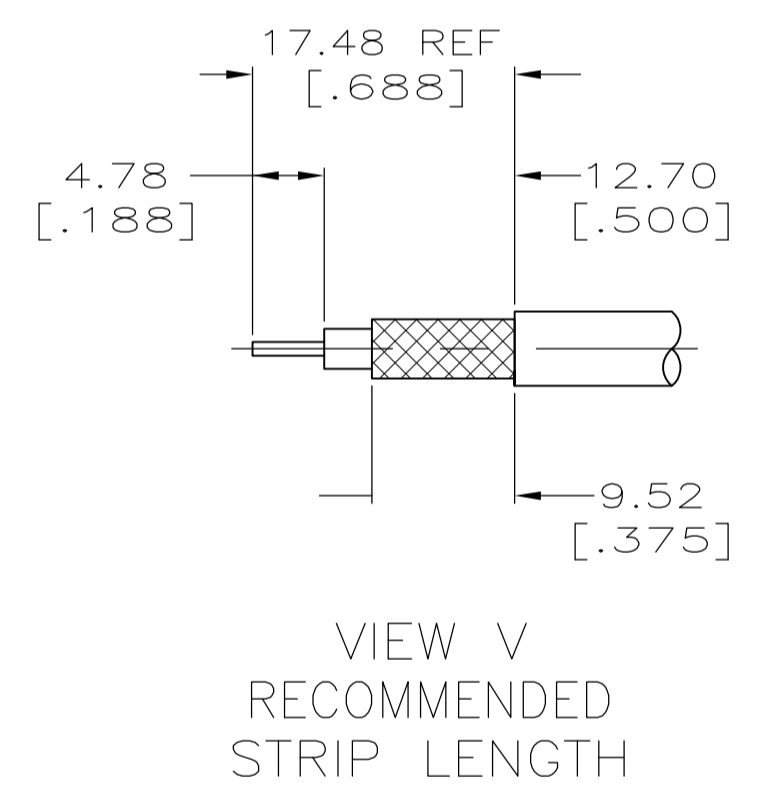
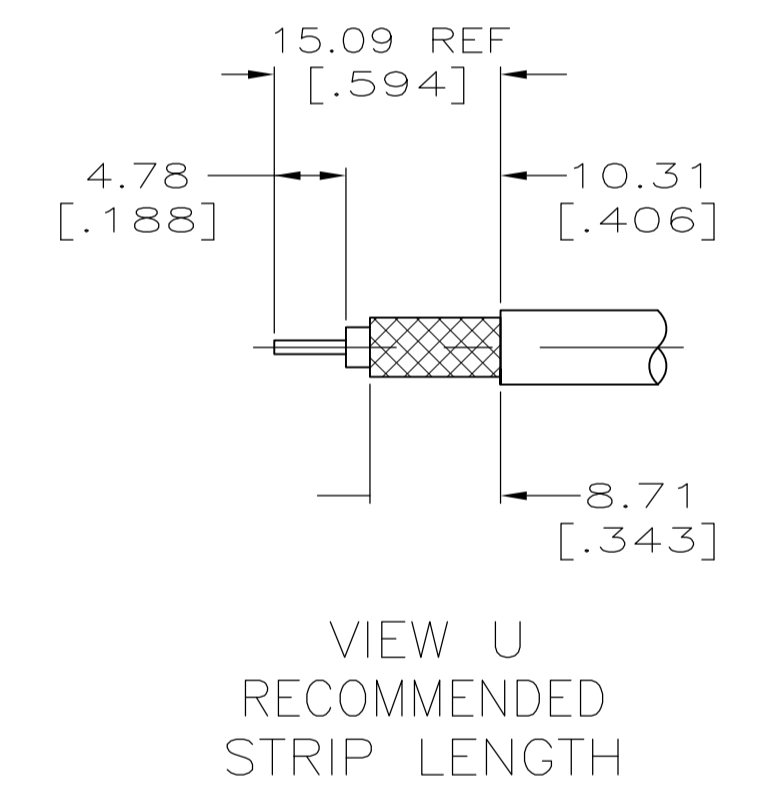


1. FELECA F1703/94 AND FILOTEX 50 MFCFB  
 2. SEE U.S. 2299-5



|                           |                             |          |               |               |         |          |            |          |            |            |  |  |  |  |
|---------------------------|-----------------------------|----------|---------------|---------------|---------|----------|------------|----------|------------|------------|--|--|--|--|
| SUPERSEDED BY 1-5225349-1 |                             |          |               |               |         |          |            |          |            |            |  |  |  |  |
| SUPERSEDED BY 5225349-9   | RG-9/U,9A/U & 214/U         | 220015-6 | 29.97 [1.180] | 57.15 [2.250] | X AND Z | 225908-1 | 9-331256-0 | 225471-7 | 5-225518-4 | 1-225349-1 |  |  |  |  |
| SUPERSEDED BY 225559-8    | RG-8/U,8A/U & 213/U         | 220015-1 | 29.97 [1.180] | 59.51 [2.343] | W AND Z | -        | 9-51713-4  | 225599-1 | 225518-3   | 225349-9   |  |  |  |  |
| SUPERSEDED BY 225554-6    | RG-142/U,142A/U & 142B/U    | 220015-1 | 26.57 [1.046] | 59.51 [2.343] | V AND Z | -        | 51713-2    | 225599-1 | 225518-3   | 225349-8   |  |  |  |  |
|                           | OBSOLETE RG-141/U & 141A/U  | 220045-2 | 30.94 [1.218] | 46.81 [1.843] | U AND Y | -        | 225382-2   | 225471-3 | 225518-1   | 225349-6   |  |  |  |  |
| SUPERSEDED BY 225554-3    | RG-59B/U & 62B/U            | 220045-2 | 30.94 [1.218] | 46.81 [1.843] | U AND Y | -        | 225381-2   | 225471-3 | 225518-1   | 225349-5   |  |  |  |  |
| SUPERSEDED BY 225554-2    | RG-58/U,58A/U,58B/U & 58C/U | 220045-3 | 30.94 [1.218] | 42.85 [1.687] | U AND Y | -        | 50428-1    | 225471-2 | 225518-2   | 225349-3   |  |  |  |  |
| SUPERSEDED BY 225554-1    | RG-55/U,55A/U,55B/U & 223/U | 220045-2 | 30.94 [1.218] | 46.81 [1.843] | U AND Y | -        | 50427-1    | 225471-1 | 225518-1   | 225349-2   |  |  |  |  |
|                           |                             |          |               |               |         |          |            |          |            |            |  |  |  |  |

|            |            |   |   |      |                 |                    |                    |                      |             |
|------------|------------|---|---|------|-----------------|--------------------|--------------------|----------------------|-------------|
| CABLE SIZE | CRIMP TOOL | B | A | VIEW | ④ SEAL<br>QTY=1 | ③ FERRULE<br>QTY=1 | ② CONTACT<br>QTY=1 | ① PLUG ASSY<br>QTY=1 | PART NUMBER |
|------------|------------|---|---|------|-----------------|--------------------|--------------------|----------------------|-------------|

THIS DRAWING IS A CONTROLLED DOCUMENT.

|                            |  |                      |                               |
|----------------------------|--|----------------------|-------------------------------|
| DIMENSIONS:<br>mm [INCHES] | TOLERANCES UNLESS OTHERWISE SPECIFIED: | DIN B SCOTT 07-22-91 | 8-20-91                       |
| 0 PLC ± -                  | 1 PLC ± -                              | J LIPPERT            | 9-13-91                       |
| 2 PLC ± 0.41 [0.016]       | 3 PLC ± -                              | M PHILLIPS           |                               |
| 4 PLC ± -                  | ANGLES ± -                             | NAME                 |                               |
| MATERIAL                   | FINISH                                 | PRODUCT SPEC         | 108-12001                     |
|                            |  | APPLICATION SPEC     |                               |
|                            |  | SIZE                 | A1                            |
|                            |  | WEIGHT               | 00779                         |
|                            |  | CUSTOMER DRAWING     | SCALE 2:1 SHEET 1 OF 1 REV M3 |

STE TE Connectivity  
 PLUG, RIGHT ANGLE, SERIES TNC