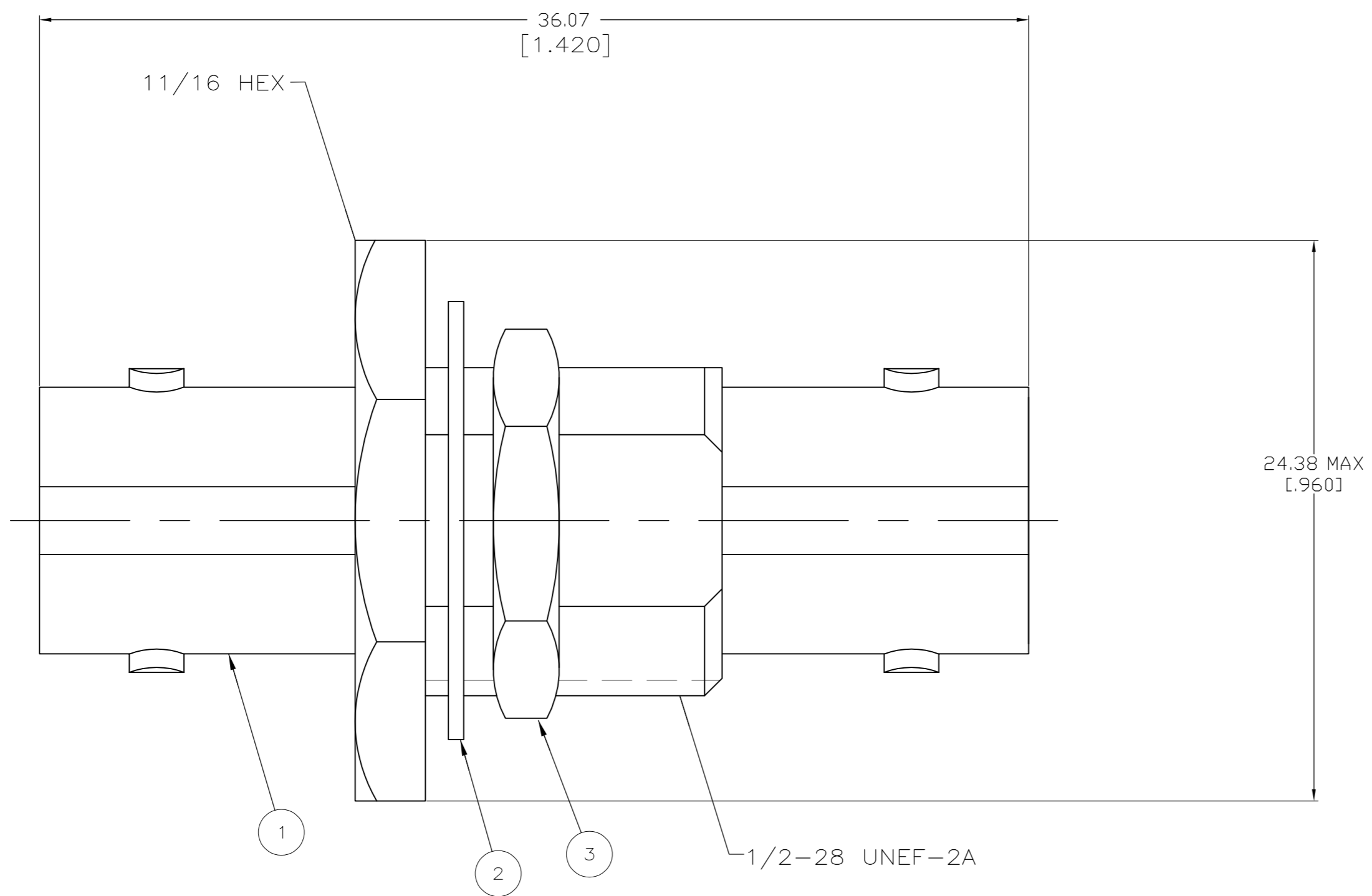
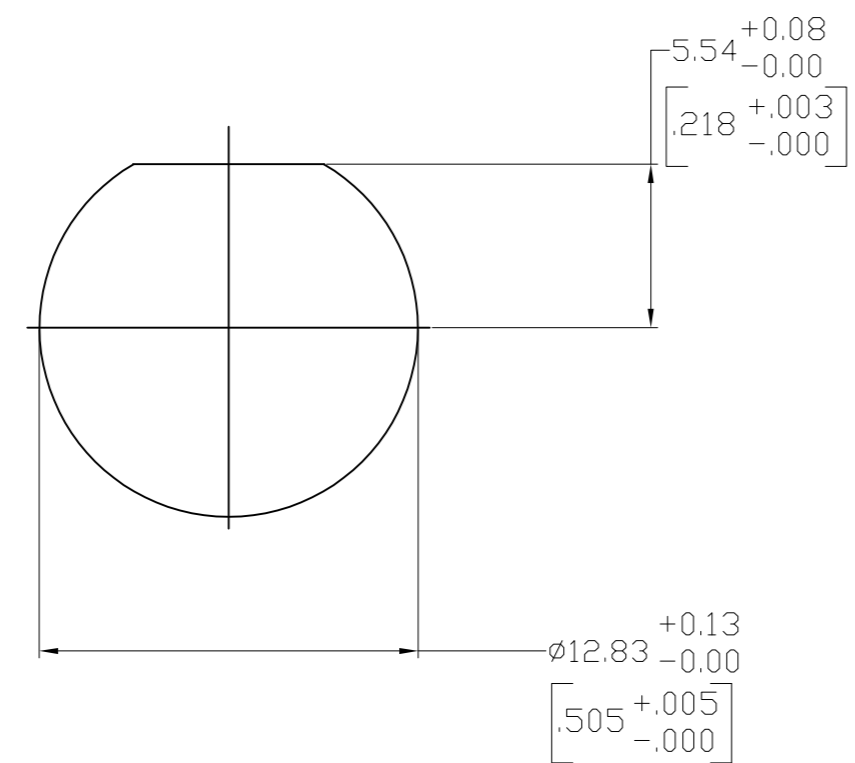


THIS DRAWING IS UNPUBLISHED. RELEASED FOR PUBLICATION  
 © COPYRIGHT - By - ALL RIGHTS RESERVED.

LOC	DIST	REVISIONS			
P	LTR	DESCRIPTION	DATE	DWN	APVD
AJ	16	H1	REVISED PER ECO-11-005030	11MAR11	RK HMR



- 1. PARTS PACKAGED UNASSEMBLED
- 2. PANEL THICKNESS = 6.35 [.250] MAX



OBSOLETE	1-329631-2	1-329632-2	228255-1	228226-4
	1-329631-2	1-329632-2	228255-2	228226-3
SUPERSEDED BY 228226-1	1-329631-2	1-329632-2	228259-1	228226-2
	1-329631-2	1-329632-2	228255-1	228226-1
	③ JAM NUT QTY=1	② LOCK WASHER QTY=1	① JACK ADAPTOR ASSEMBLY QTY=1	PART NUMBER

THIS DRAWING IS A CONTROLLED DOCUMENT.

DWN	M.E. COWHER	12JUN92
CHK	M. PHILLIPS	22JUN92
APVD	M. PHILLIPS	22JUN92
PRODUCT SPEC	-	
APPLICATION SPEC	-	
WEIGHT	-	-
CUSTOMER DRAWING	SCALE 5:1	SHEET 1 OF 1

TE Connectivity  
 JACK - JACK ADAPTOR, BND, BNC  
 SIZE A2 CAGE CODE 00779 DRAWING NO. C=228226 RESTRICTED TO -  
 REV H1