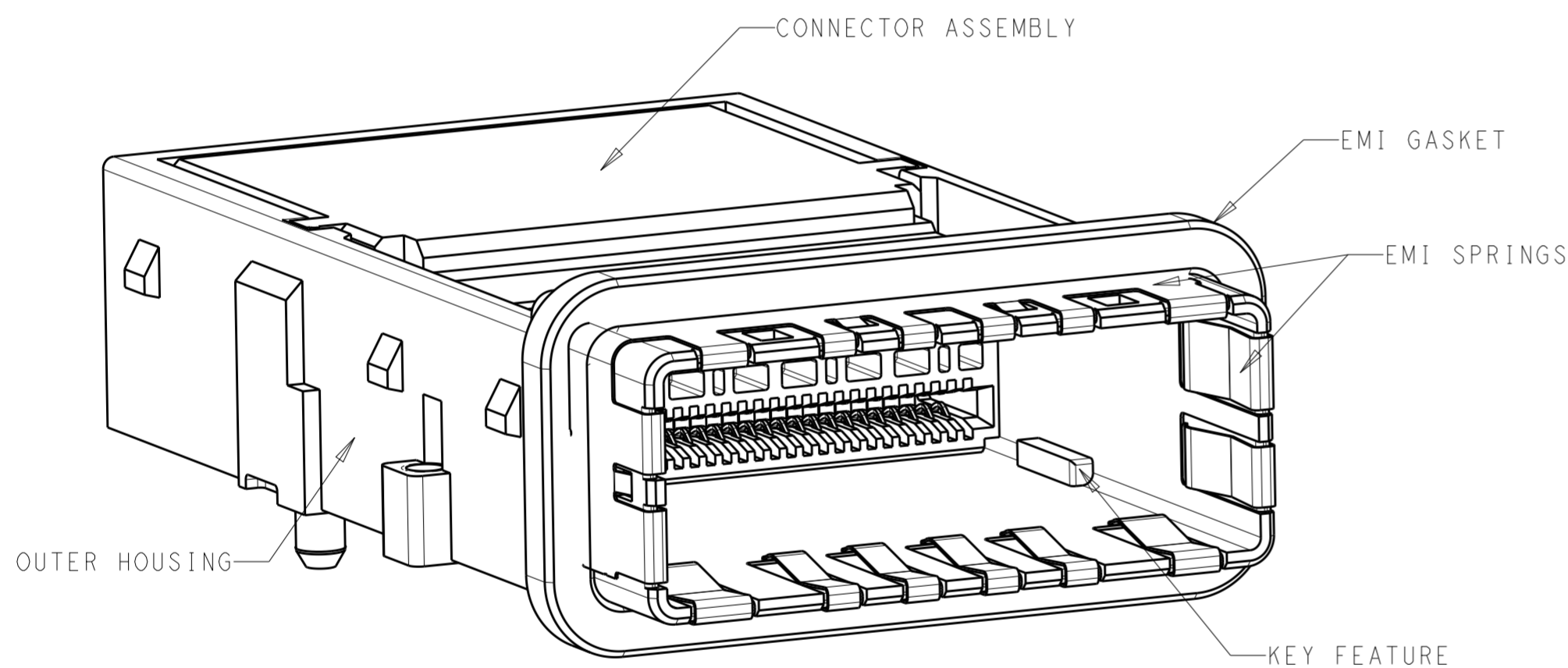


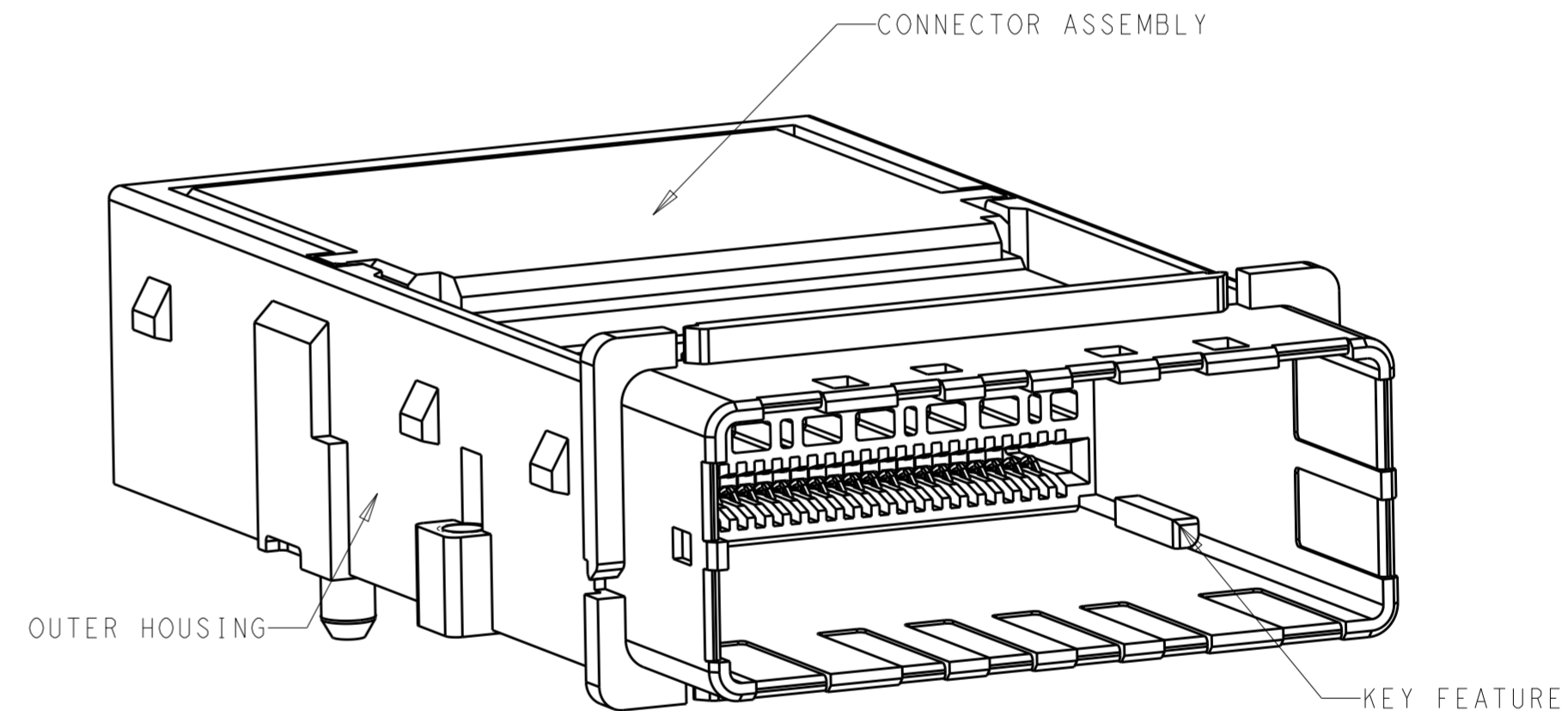
THIS DRAWING IS UNPUBLISHED. RELEASED FOR PUBLICATION 20  
 © COPYRIGHT 20 BY - ALL RIGHTS RESERVED.

REVISIONS				
P	LTR	DESCRIPTION	DATE	APVD
A		INITIAL RELEASE	14APR2016	JY SH

- MATERIALS:**  
 OUTER HOUSING - NICKEL PLATED ZINC ALLOY PER ASTM B 240.  
 CONNECTOR HOUSINGS - LCP, UL 94V-0 RATED.  
 CHICKLETS - LCP, UL 94V-0 RATED.  
 CONTACTS - PHOSPHOR BRONZE.  
 EMI SPRINGS - COPPER ALLOY.  
 EMI GASKET - CONDUCTIVE ELASTOMER.
- CONTACT FINISH:**  
 CONFORMS TO THE REQUIREMENTS OF TYCO ELECTRONICS PRODUCT SPECIFICATION 108-32065, BASED ON EIA/ECA-364-1000.01A, (CONTROLLED ENVIRONMENT APPLICATIONS) ON MATING INTERFACES. MATTE TIN ON COMPLIANT PINS.
- PCB THICKNESS 1.57 MINIMUM.**
- △4 FOR HOLE SIZE AND PLATINGS, SEE APPLICATION SPEC 114-32114.**
- △5 CROSS HATCHED AREA INDICATES REQUIRED CONDUCTIVE AREA ON SURFACE OF PCB. NO COMPONENTS OR TOP SIDE SURFACE TRACES ALLOWED IN THIS AREA.**
- MOUNTING HARDWARE REQUIRED:**  
 3X M2X0.4 - SCREW LENGTH = PCB THICKNESS + (2 TO 4).



2291931-1 SHOWN WITH EMI SPRING AND GASKET SCALE 4:1



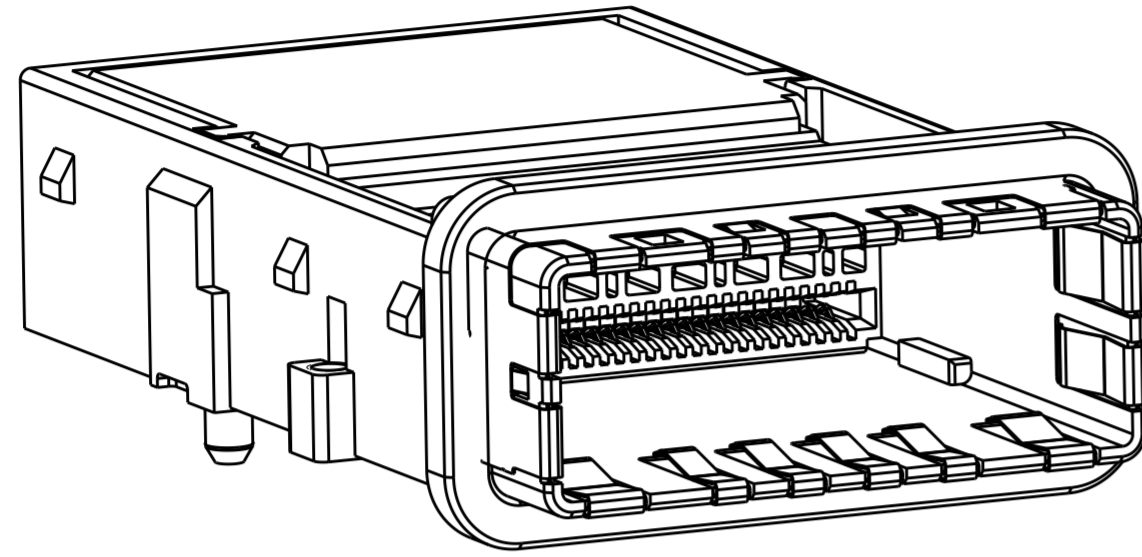
2291931-2 AS SHOWN W/O EMISPRING AND GASKET SCALE 4:1

W/O EMI SPRING AND GASKET	2291931-2
W EMI SPRING AND GASKET	2291931-1
DESCRIPTION	PART NUMBER

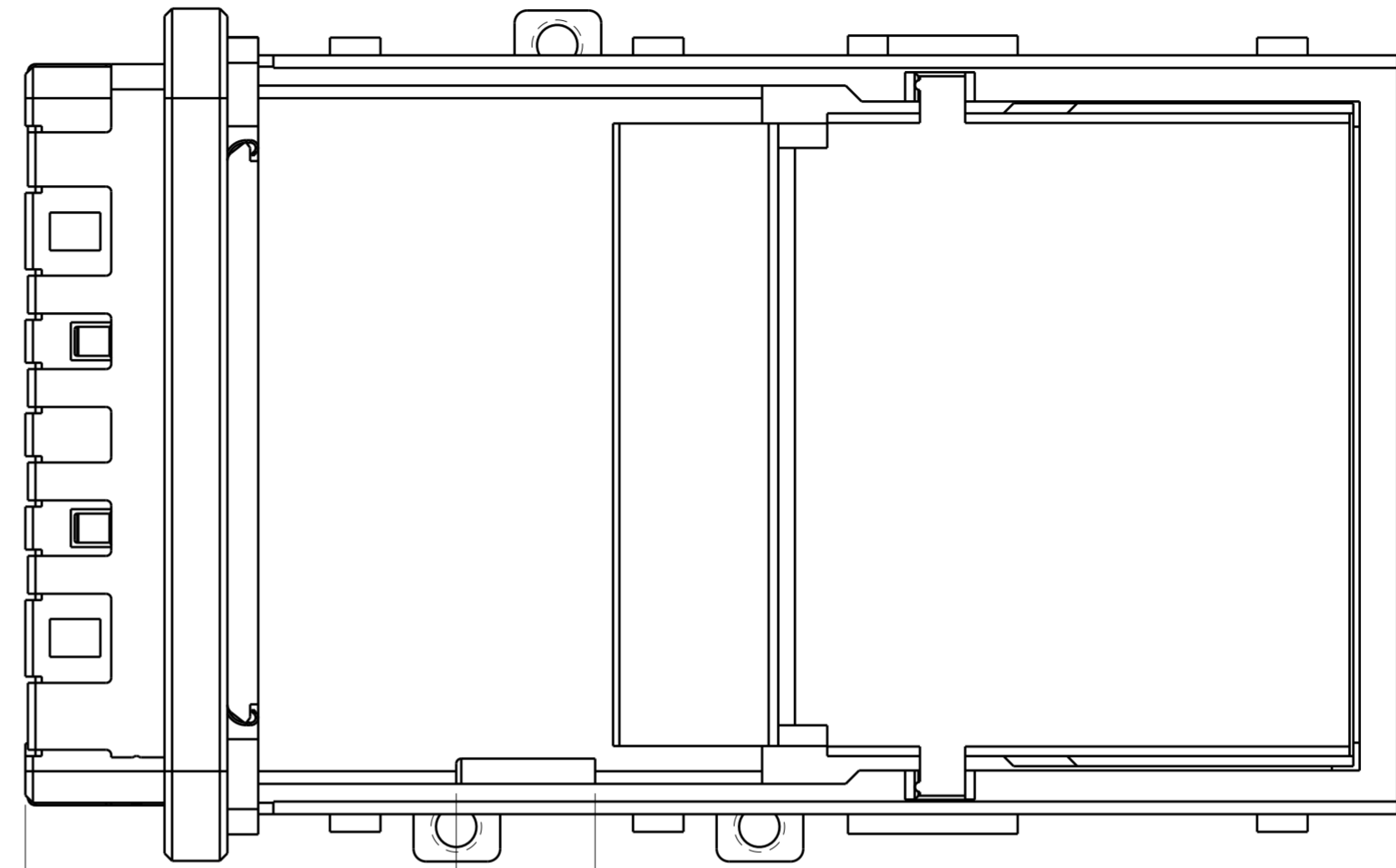
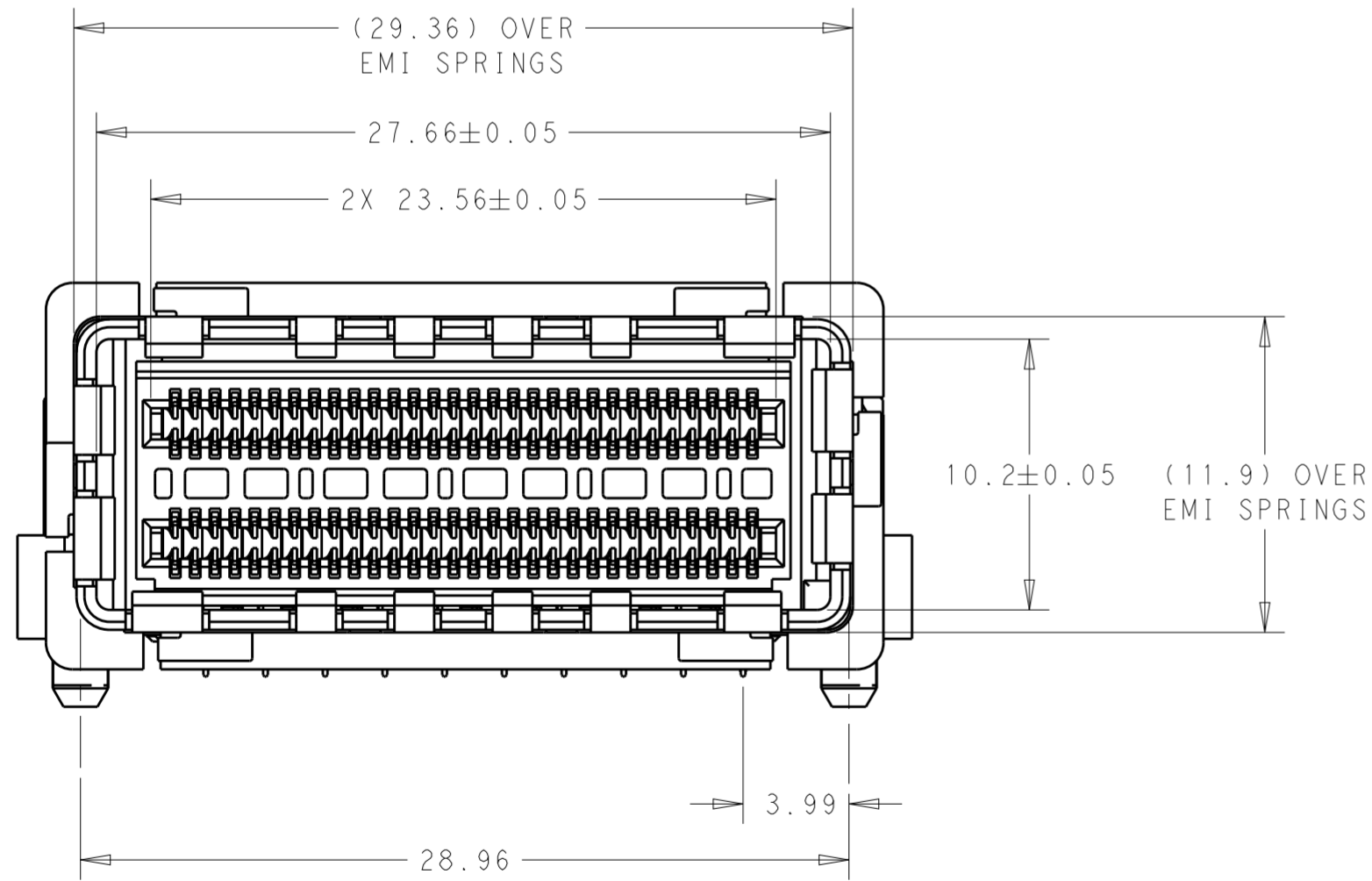
THIS DRAWING IS A CONTROLLED DOCUMENT.		DWN JASON YANG 30MAR2015	TE Connectivity														
DIMENSIONS:		CHK SEAN HAN 30MAR2015															
TOLERANCES UNLESS OTHERWISE SPECIFIED:		APVD SEAN HAN 30MAR2015															
mm		PRODUCT SPEC 108-32065															
<table border="1"> <tr> <td>0 PLC</td> <td>±0.25</td> </tr> <tr> <td>1 PLC</td> <td>±0.25</td> </tr> <tr> <td>2 PLC</td> <td>±0.20</td> </tr> <tr> <td>3 PLC</td> <td>±0.15</td> </tr> <tr> <td>4 PLC</td> <td>±</td> </tr> <tr> <td>ANGLES</td> <td>±</td> </tr> <tr> <td>FINISH</td> <td>±</td> </tr> </table>		0 PLC	±0.25	1 PLC	±0.25	2 PLC	±0.20	3 PLC	±0.15	4 PLC	±	ANGLES	±	FINISH	±	APPLICATION SPEC 114-32114	NAME RECEPTACLE, STYLE 1, CDFP
0 PLC	±0.25																
1 PLC	±0.25																
2 PLC	±0.20																
3 PLC	±0.15																
4 PLC	±																
ANGLES	±																
FINISH	±																
MATERIAL	-	WEIGHT -	SIZE A2	CAGE CODE -													
CUSTOMER DRAWING			DRAWING NO. C-2291931	RESTRICTED TO -													
			SCALE 4:1	SHEET 1 OF 5													
			REV A														

THIS DRAWING IS UNPUBLISHED. RELEASED FOR PUBLICATION 20  
 © COPYRIGHT 20 BY - ALL RIGHTS RESERVED.

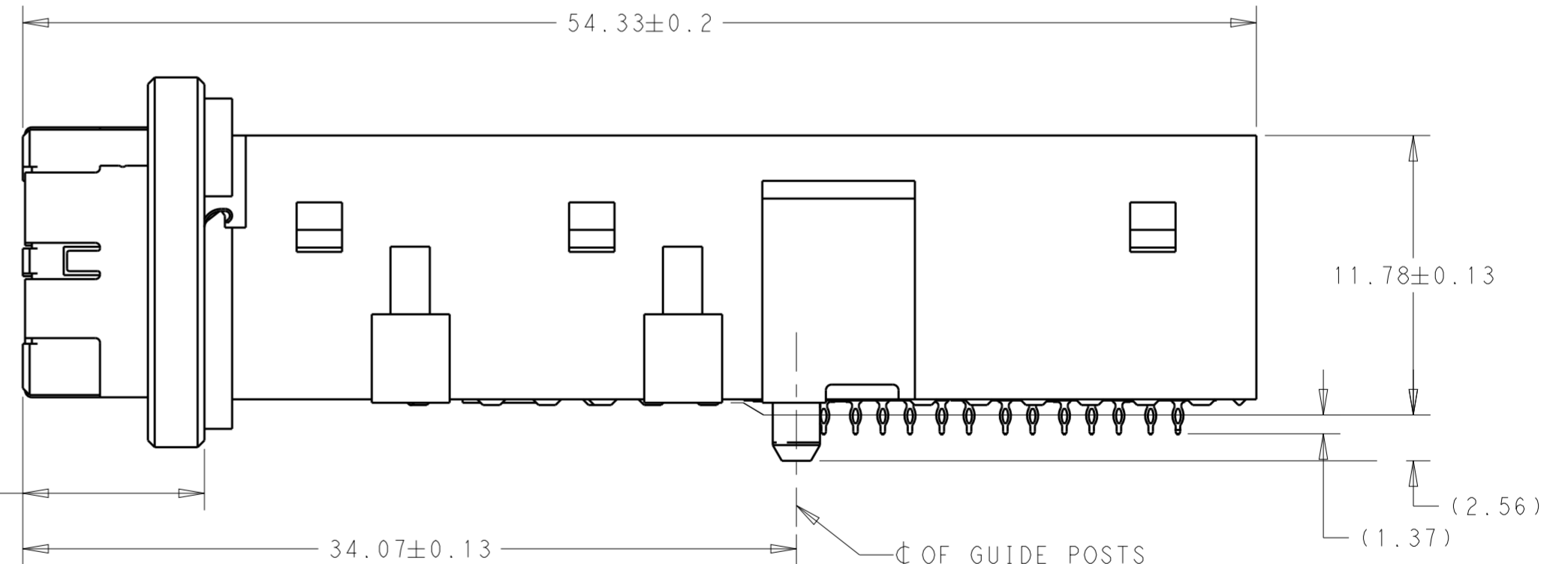
REVISIONS				
P	LTR	DESCRIPTION	DATE	APVD
-		SEE SHEET 1	-	-



2291931-1 SHOWN  
SCALE 3:1



17.06±0.13 KEY LOCATION  
5.5±0.1 KEY LENGTH



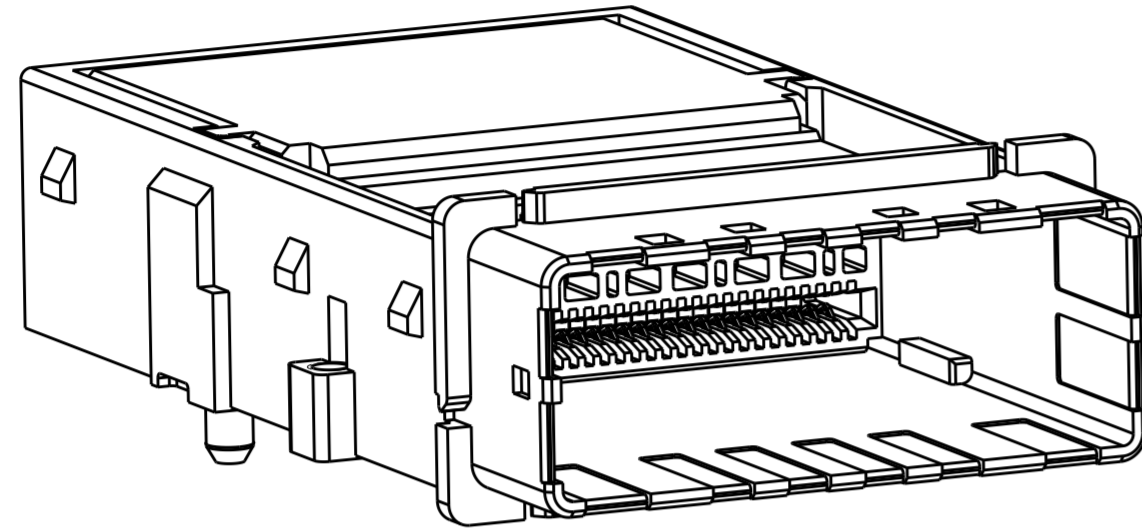
2291931-1 SHOWN  
SCALE 4:1

∅ OF GUIDE POSTS  
AND FIRST ROW OF  
COMPLIANT PINS.

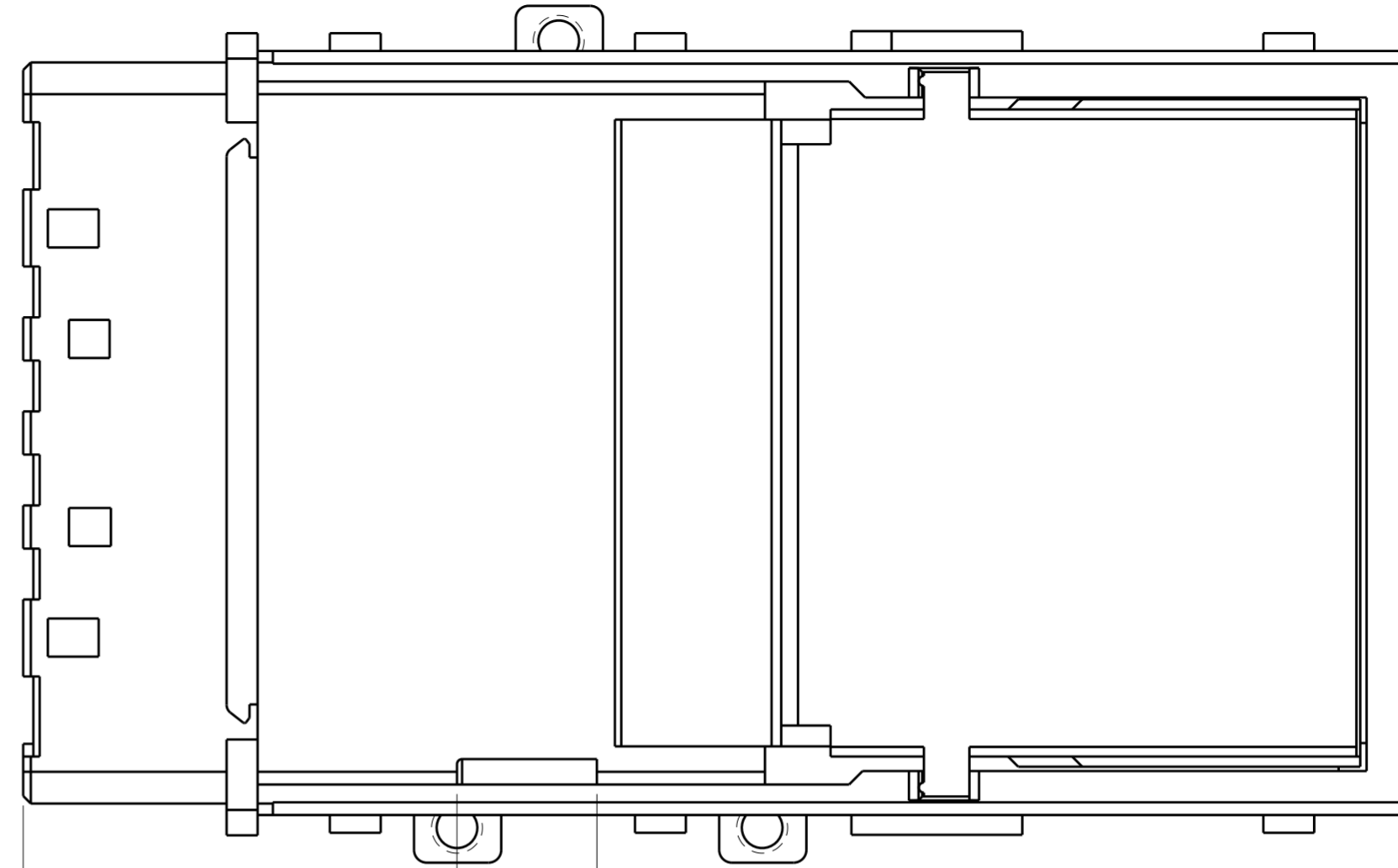
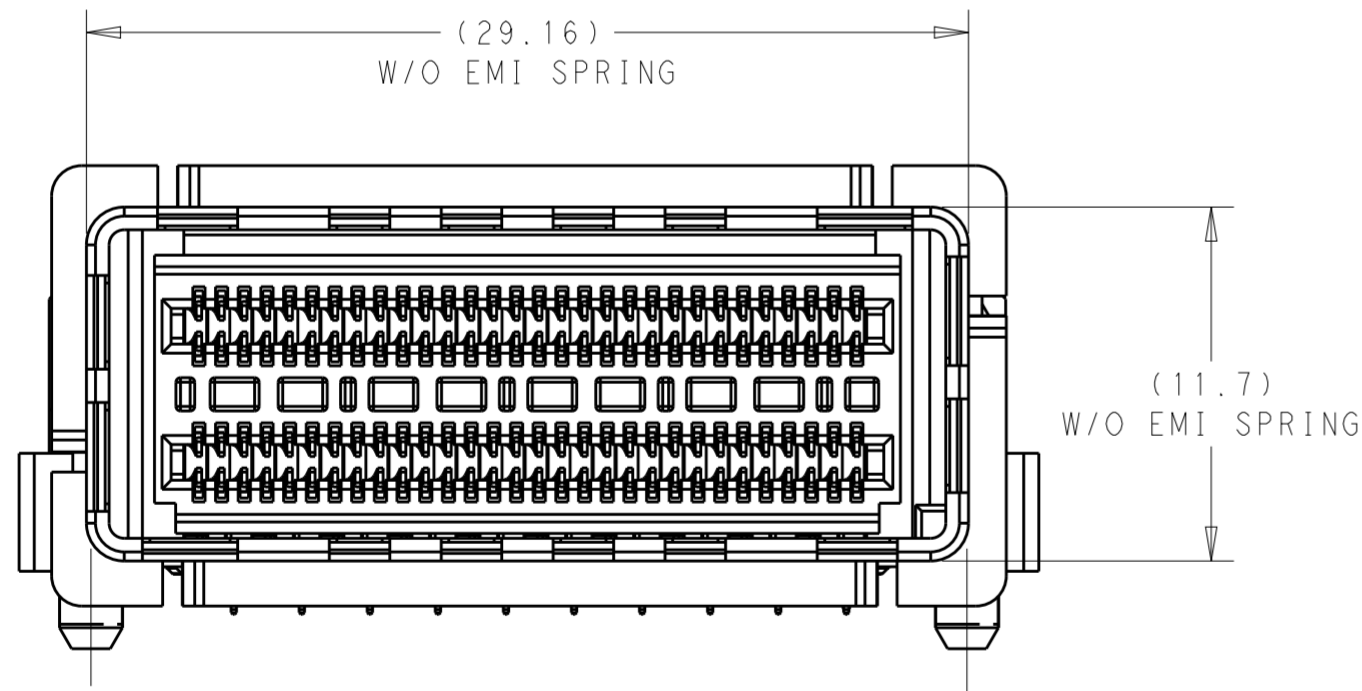
THIS DRAWING IS A CONTROLLED DOCUMENT.		DWN JASON YANG 30MAR2015	TE Connectivity	
DIMENSIONS:		CHK SEAN HAN 30MAR2015		
mm	TOLERANCES UNLESS OTHERWISE SPECIFIED:	APVD SEAN HAN 30MAR2015	NAME RECEPTACLE, STYLE 1, CDFP	
0 PLC ±0.25	1 PLC ±0.25	PRODUCT SPEC 108-32065	SIZE A2	CAGE CODE -
2 PLC ±0.20	3 PLC ±0.15	APPLICATION SPEC 114-32114	DRAWING NO G-2291931	RESTRICTED TO -
4 PLC ±	ANGLES ±	WEIGHT -	SCALE 4:1	SHEET 2 OF 5
MATERIAL -	FINISH -	CUSTOMER DRAWING	REV A	

THIS DRAWING IS UNPUBLISHED. RELEASED FOR PUBLICATION 20  
 © COPYRIGHT 20 BY - ALL RIGHTS RESERVED.

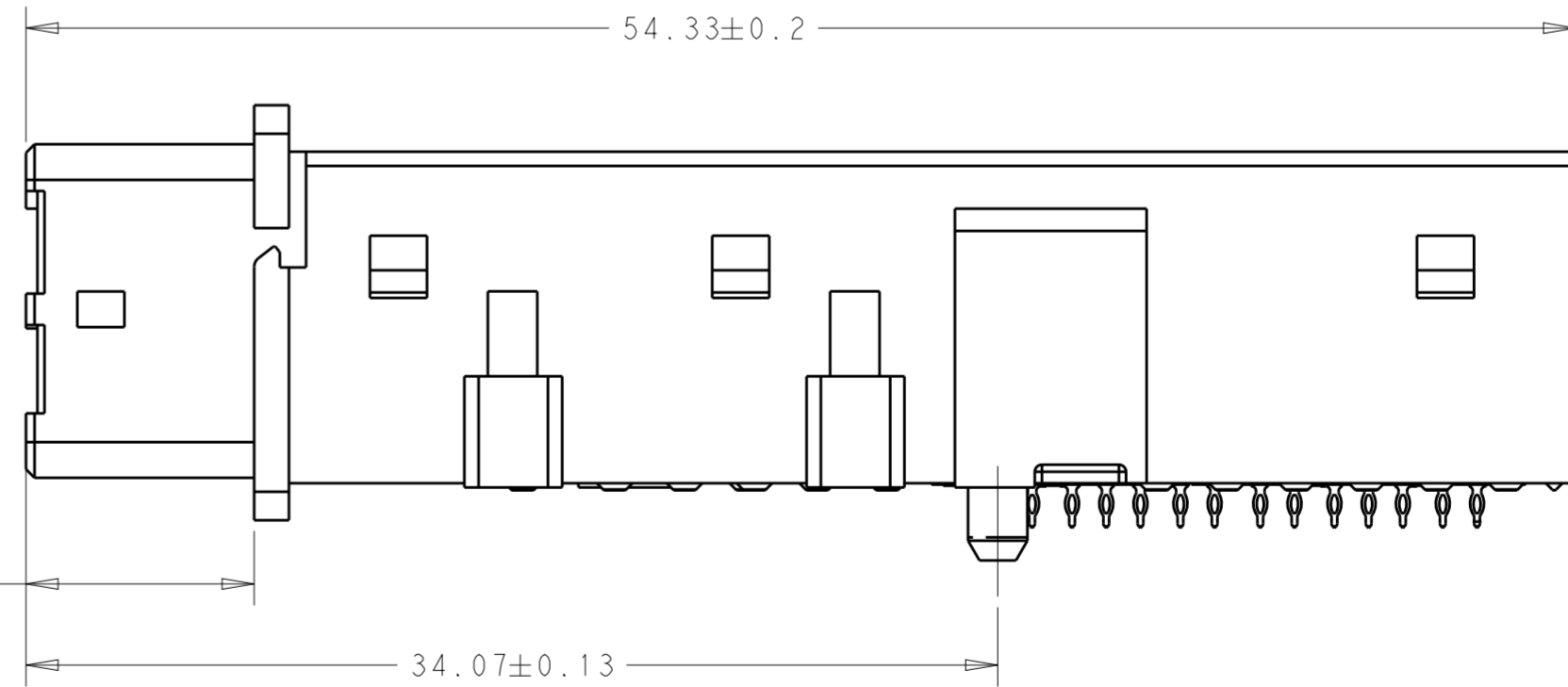
REVISIONS				
P	LTR	DESCRIPTION	DATE	APVD
-		SEE SHEET 1	-	-



2291931-2 SHOWN  
 UNSPECIFIED DIMENSIONS ARE SAME AS 2291931-1  
 SCALE 3:1




17.06±0.13 KEY LOCATION  
 5.5±0.1 KEY LENGTH



8±0.13

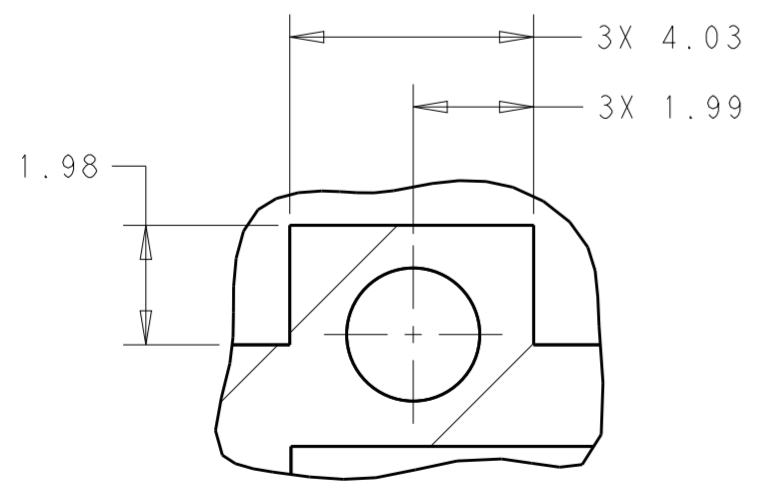
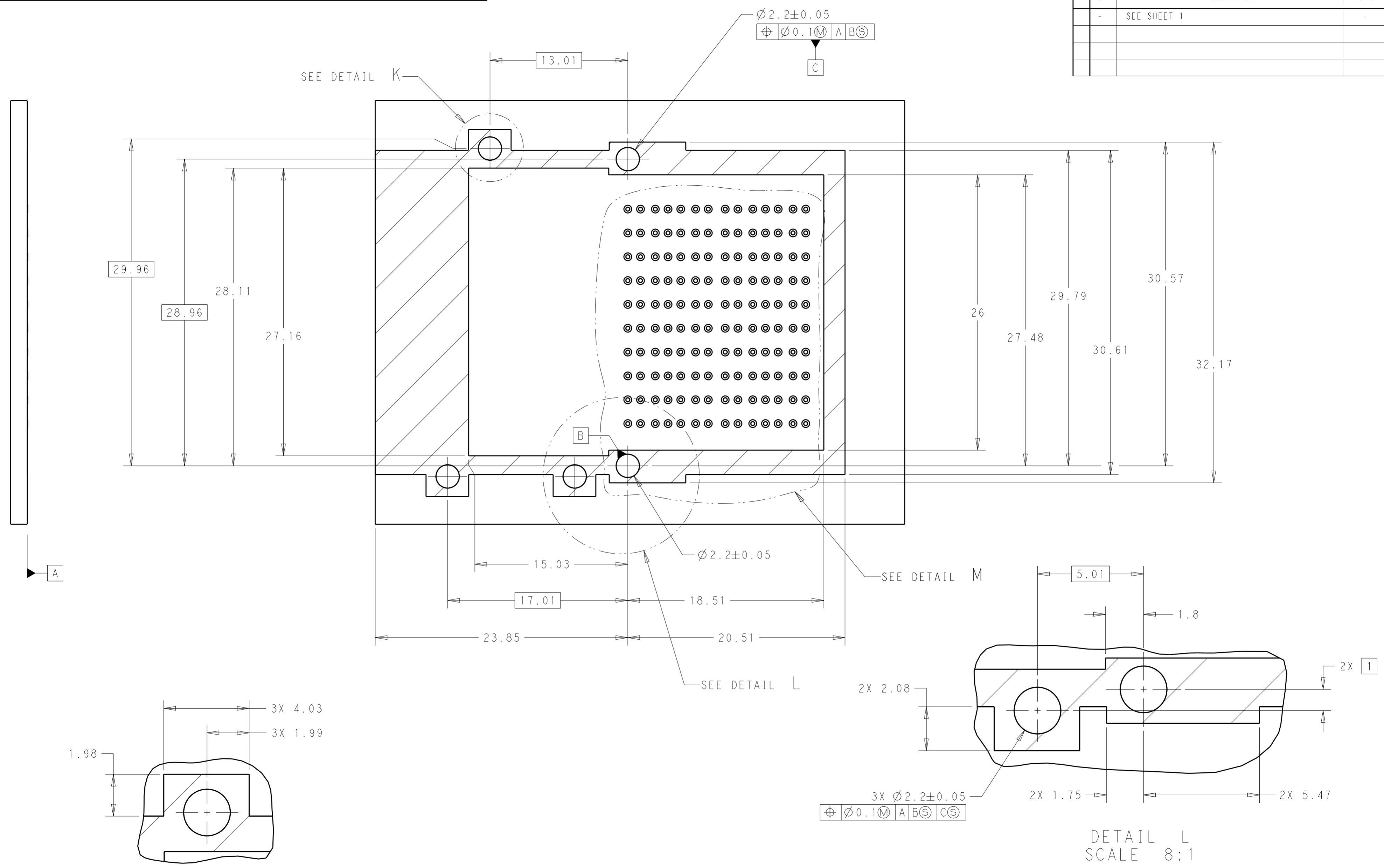
34.07±0.13

SCALE 4:1

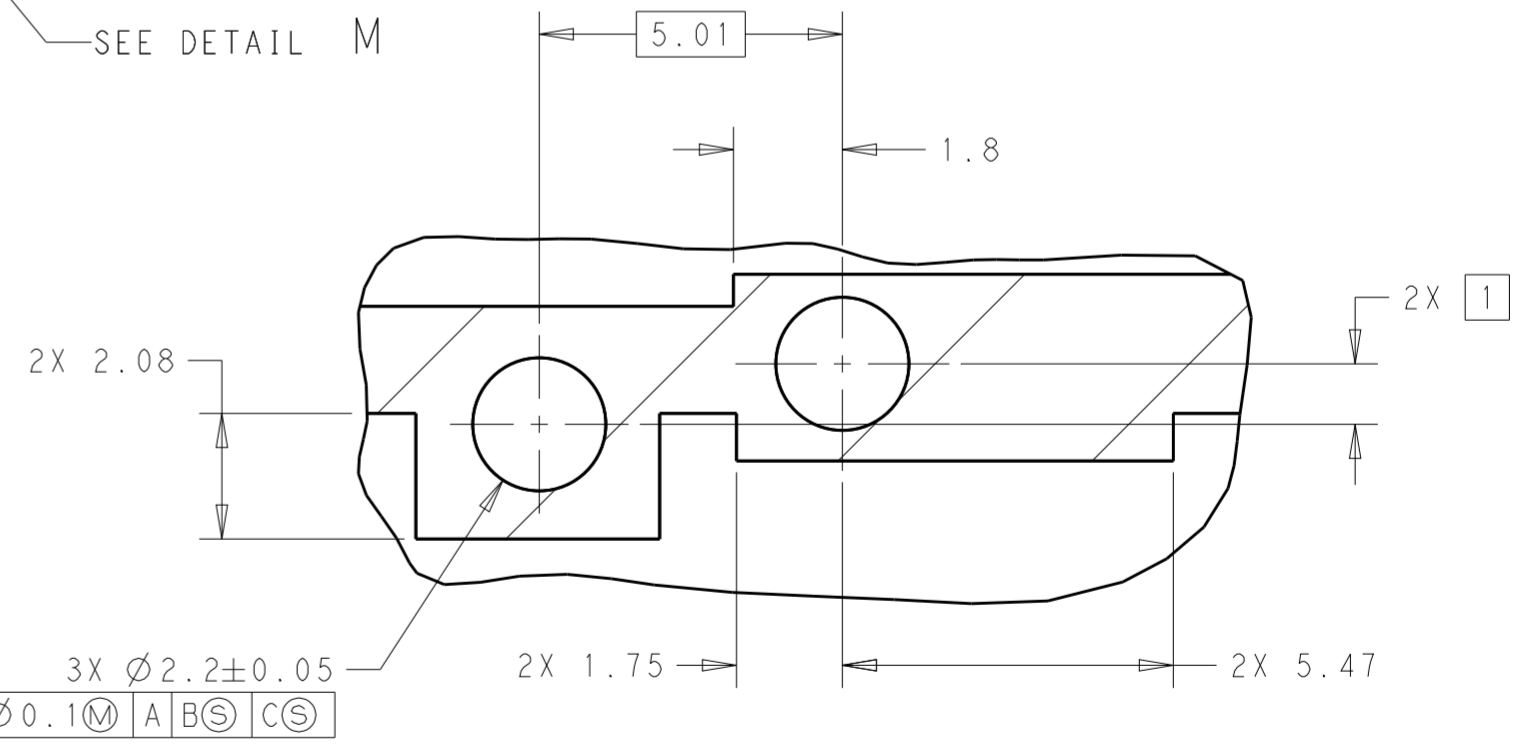
THIS DRAWING IS A CONTROLLED DOCUMENT.		DWN JASON YANG 30MAR2015	 TE Connectivity	
DIMENSIONS: mm		CHK SEAN HAN 30MAR2015		
TOLERANCES UNLESS OTHERWISE SPECIFIED:		APVD SEAN HAN 30MAR2015	NAME RECEPTACLE, STYLE 1, CDFP	
0 PLC ±0.25 1 PLC ±0.25 2 PLC ±0.20 3 PLC ±0.15 4 PLC ± ANGLES ± FINISH ±		PRODUCT SPEC 108-32065	SIZE A2	CAGE CODE -
MATERIAL -		APPLICATION SPEC 114-32114	DRAWING NO G-2291931	RESTRICTED TO -
		WEIGHT -	SCALE 4:1 SHEET 3 OF 5 REV A	
		CUSTOMER DRAWING		

THIS DRAWING IS UNPUBLISHED. RELEASED FOR PUBLICATION 20  
 © COPYRIGHT 20 BY - ALL RIGHTS RESERVED.

REVISIONS				
P	LTR	DESCRIPTION	DATE	APVD
-	-	SEE SHEET 1	-	-



DETAIL K  
SCALE 8:1

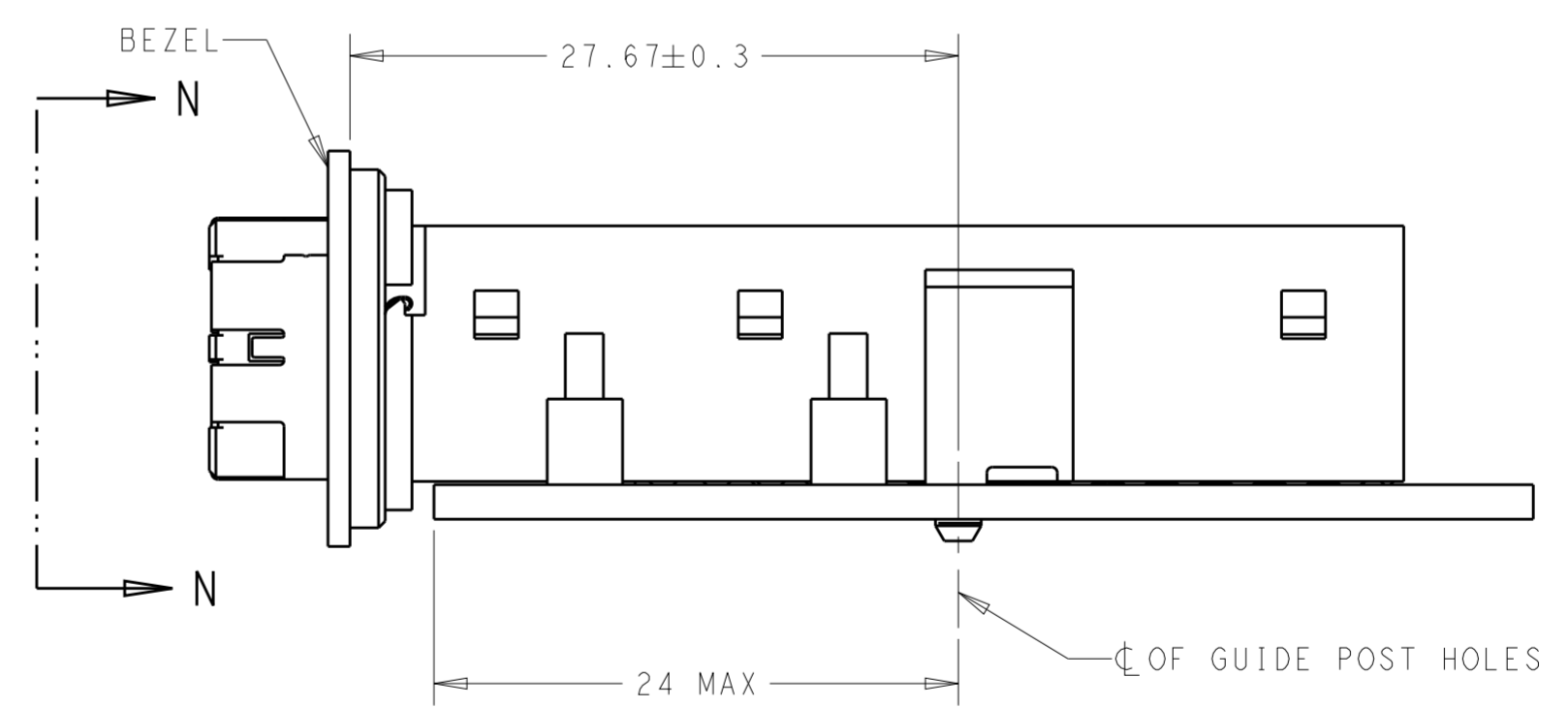
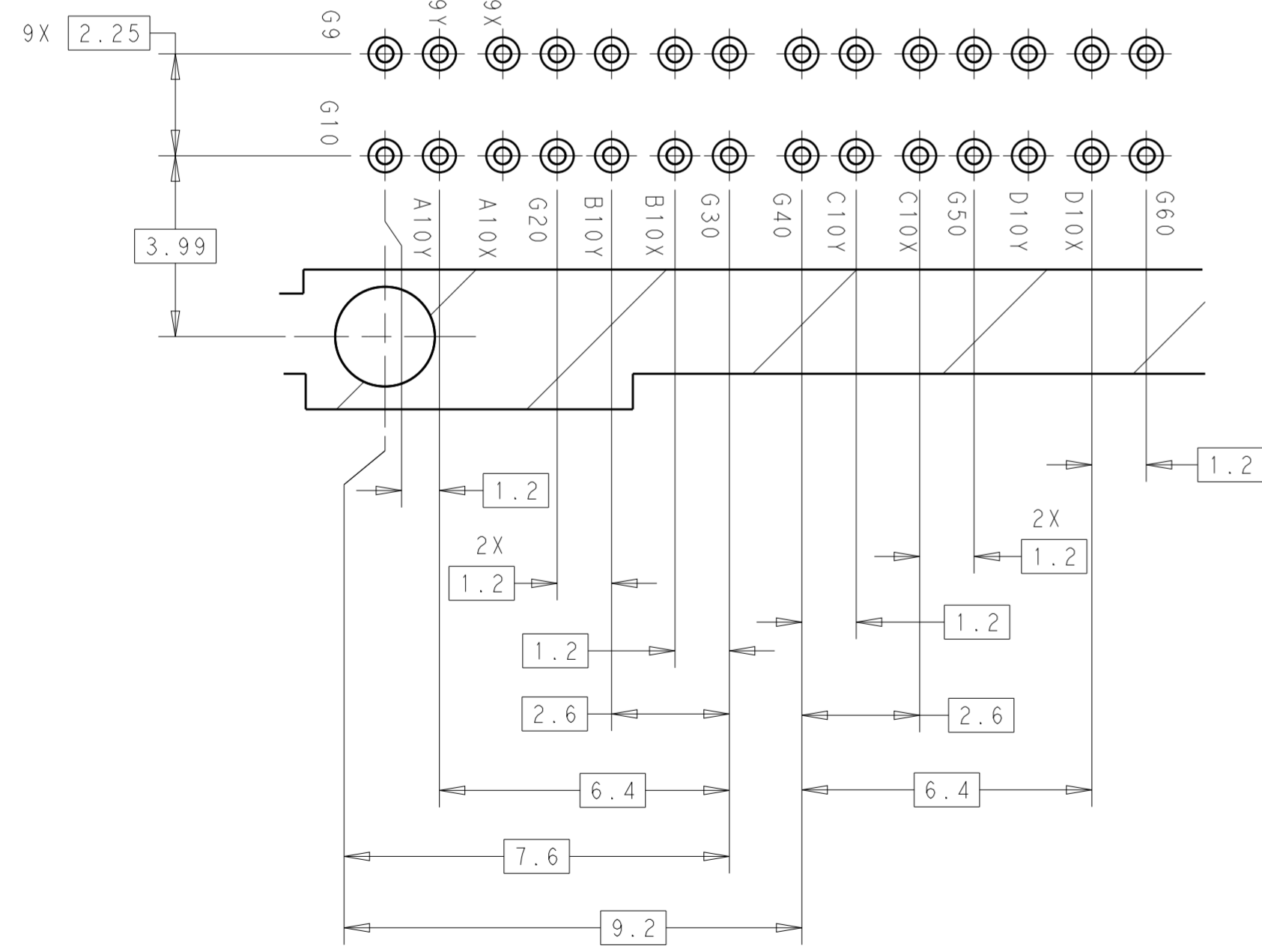
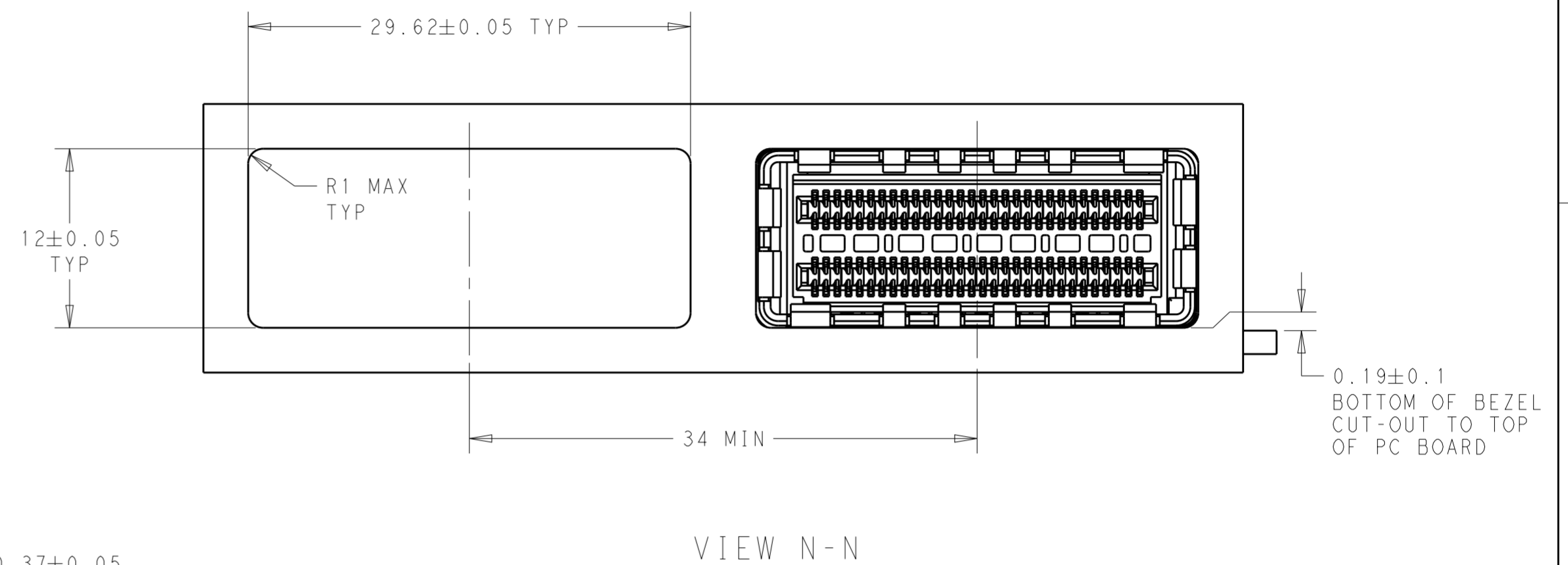
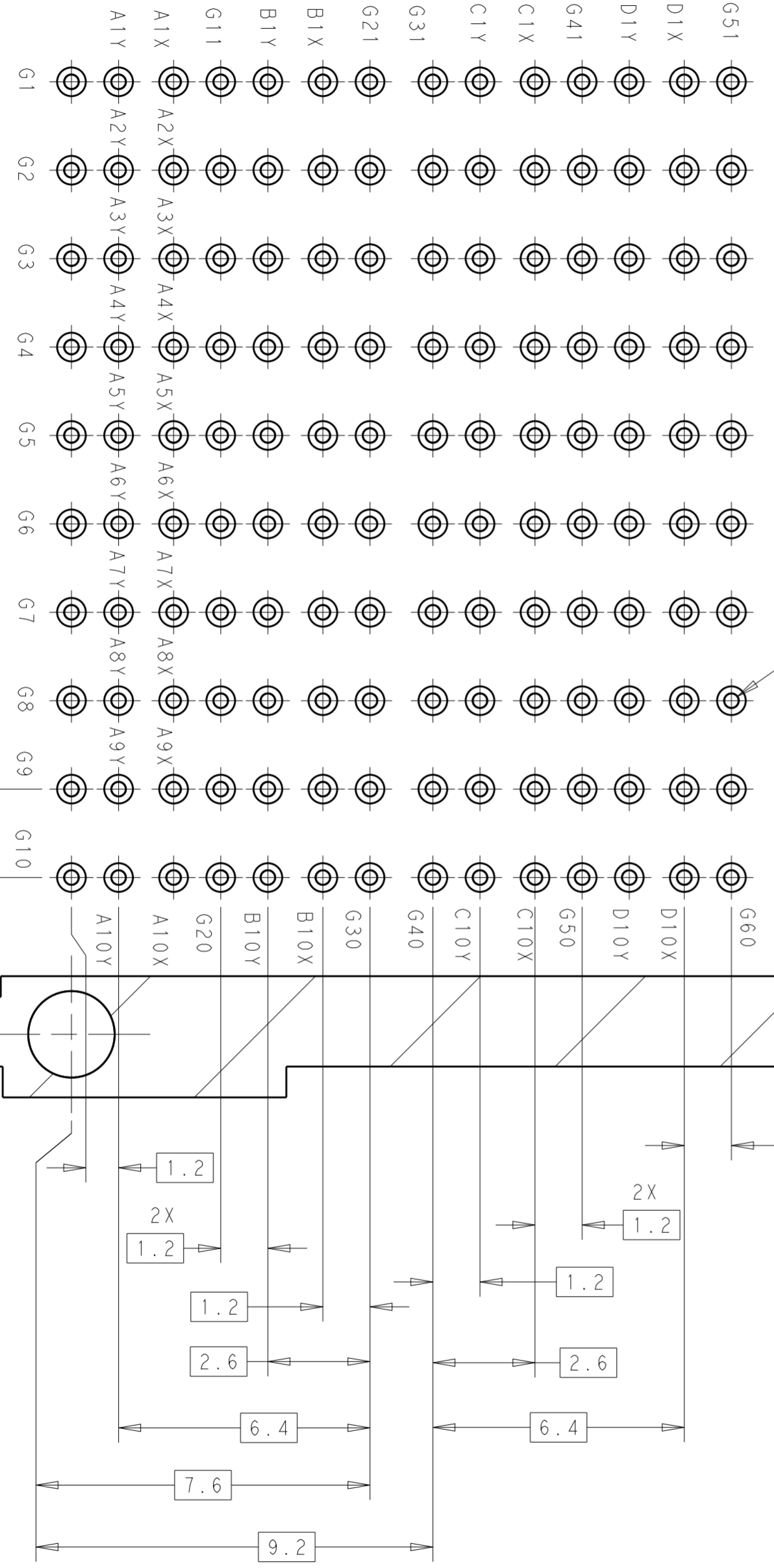


DETAIL L  
SCALE 8:1

THIS DRAWING IS A CONTROLLED DOCUMENT.		DWN JASON YANG 30MAR2015	TE Connectivity	
DIMENSIONS: mm		CHK SEAN HAN 30MAR2015		
TOLERANCES UNLESS OTHERWISE SPECIFIED:		APVD SEAN HAN 30MAR2015	NAME RECEPTACLE, STYLE 1, CDFP	
0 PLC ±0.25	1 PLC ±0.25	PRODUCT SPEC 108-32065	SIZE A2	CAGE CODE -
2 PLC ±0.20	3 PLC ±0.15	APPLICATION SPEC 114-32114	DRAWING NO C-2291931	RESTRICTED TO -
4 PLC ±	ANGLES ±	WEIGHT -	SCALE 4:1	SHEET 4 OF 5
MATERIAL -	FINISH -	CUSTOMER DRAWING	REV A	

THIS DRAWING IS UNPUBLISHED. RELEASED FOR PUBLICATION 20  
 © COPYRIGHT 20 BY - ALL RIGHTS RESERVED.

REVISIONS					
P	LTR	DESCRIPTION	DATE	DWN	APVD
-	-	SEE SHEET 1	-	-	-



THIS DRAWING IS A CONTROLLED DOCUMENT.		DWN JASON YANG 30MAR2015	TE Connectivity	
DIMENSIONS: mm		CHK SEAN HAN 30MAR2015		
TOLERANCES UNLESS OTHERWISE SPECIFIED:		APVD SEAN HAN 30MAR2015	NAME RECEPTACLE, STYLE 1, CDFP	
0 PLC ±0.25	1 PLC ±0.25	PRODUCT SPEC 108-32065	SIZE A2	CAGE CODE -
2 PLC ±0.20	3 PLC ±0.15	APPLICATION SPEC 114-32114	DRAWING NO C-2291931	RESTRICTED TO -
4 PLC ±	ANGLES ±	WEIGHT -	SCALE 4:1	SHEET 5 OF 5
MATERIAL -	FINISH -	CUSTOMER DRAWING	REV A	

DETAIL M  
SCALE 8:1