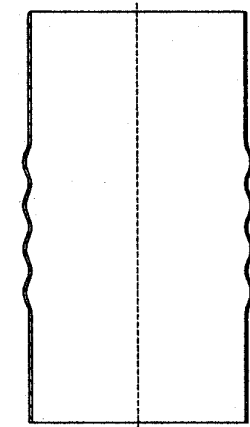
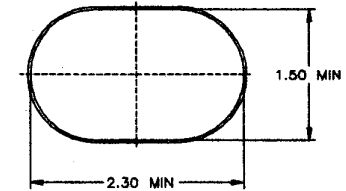
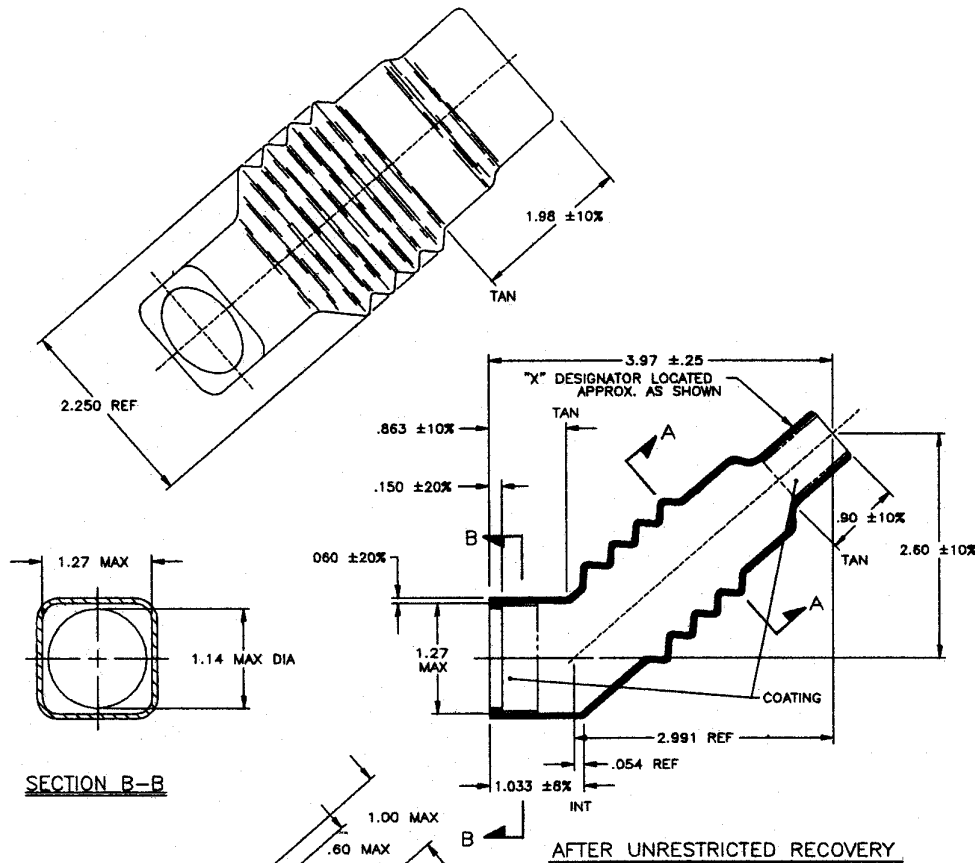


If this document is printed it becomes uncontrolled.  
Check for the latest revision.



SECTION B-B

SECTION A-A

AFTER UNRESTRICTED RECOVERY

AS SUPPLIED

SPECIFICATION CONTROL DRAWING  
(LIMITED DISTRIBUTION)

NOTES:

1. MATERIAL: -4, POLYOLEFIN, FLEXIBLE (RT-1304)
2. COATING: S-1017 (/42)

B	REVISED PER DCR MP99040	3/10/88
REV LETTER	ZONE	DATE
DETAILS OF REVISION		
THIS DRAWING AND THE INFORMATION SET FORTH HEREON ARE THE PROPERTY OF RAYCHEM CORPORATION AND ARE TO BE HELD IN TRUST AND CONFIDENCE. PUBLICATION, DUPLICATION, DISCLOSURE OR USE FOR ANY PURPOSE NOT EXPRESSLY AUTHORIZED IN WRITING BY RAYCHEM CORPORATION IS PROHIBITED.		
DO NOT SCALE THIS DRAWING		<b>Raychem</b> CORPORATION 300 CONSTITUTION, MENLO PARK
TITLE:		
BOOT, FLEXIBLE, FORWARD		DRWG. NO. 251A100 REV LETTER B