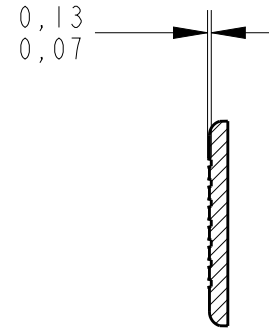
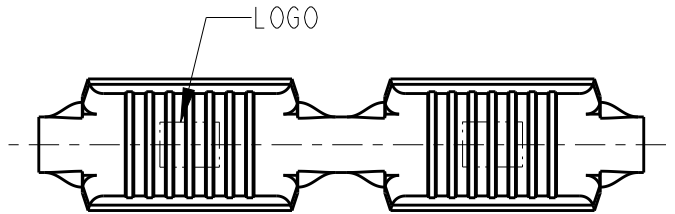


REVISIONS

P	LTR	DESCRIPTION	DATE	DWN	APVD
	RI	REDRAWN AND REV. BY ECO16-005110	12JULY2016	HC	WLS

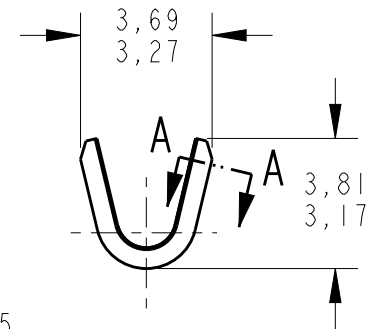
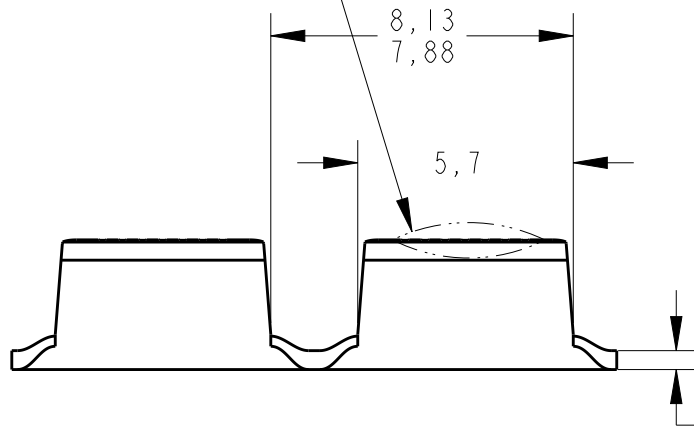


SCALE 2:1



SECTION A-A

SMALL DISTORTION PERMITTED



⚠ -NOT FOR USE WITH ALUMINUM MAGNET WIRE, USE WITH COPPER MAGNET WIRE ONLY.

WIRE RANGE
600-3000 CMA

TIN PLATED	BRASS	280007-2
—	BRASS	280007-1 ⚠
FINISH	MATERIAL	PART NUMBER

RELEASED FOR PUBLICATION

ALL RIGHTS RESERVED.

THIS DRAWING IS UNPUBLISHED.

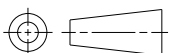
© COPYRIGHT copyright_date

DIMENSIONS:

mm

TOLERANCES UNLESS OTHERWISE SPECIFIED:

0 PLC	±-
1 PLC	±0,4
2 PLC	±-
3 PLC	±-
4 PLC	±-
ANGLES	±-



DWN 20JAN2015

H.C. CANTERI

CHK 22JAN2015

W.L. STEFANI

APVD -

PRODUCT SPEC

APPLICATION SPEC

WEIGHT -

MATERIAL

FINISH



TE Connectivity

NAME AMPLIVAR SPLICE

SIZE A4

CAGE CODE

DRAWING NO

C-280007

RESTRICTED TO

CUSTOMER DRAWING

SCALE

5:1

SHEET

OF

REV

RI