

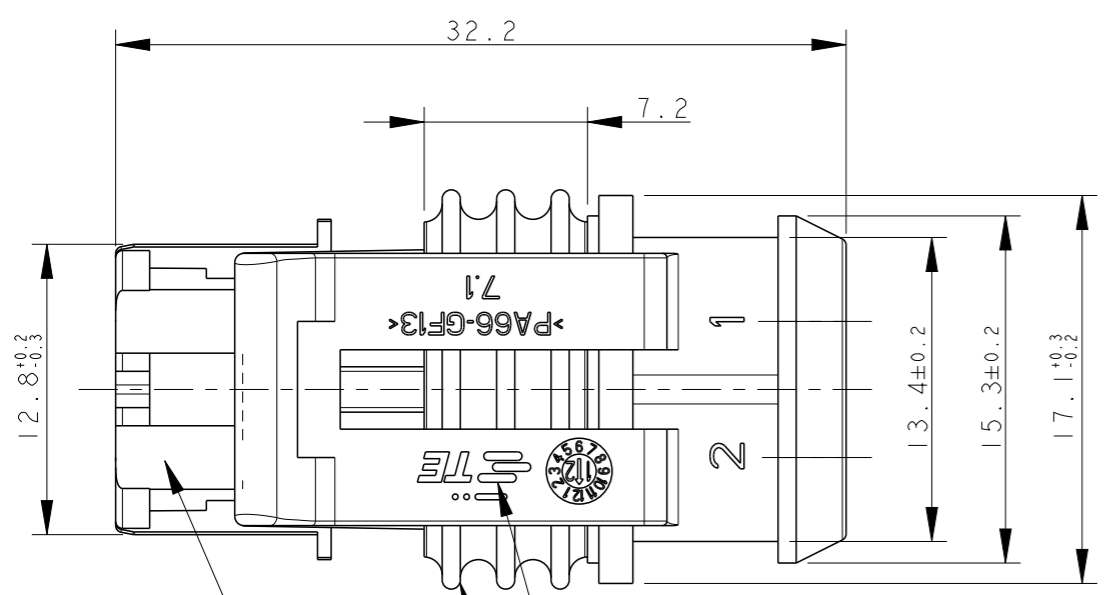
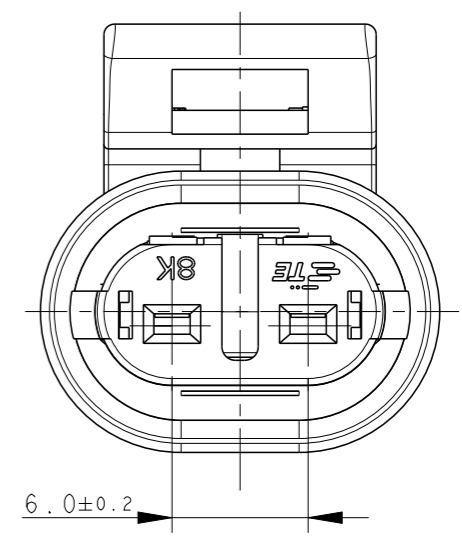
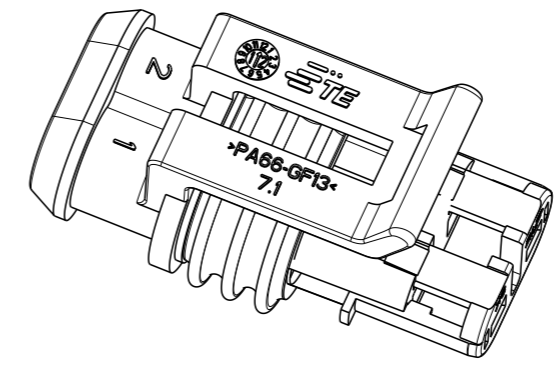
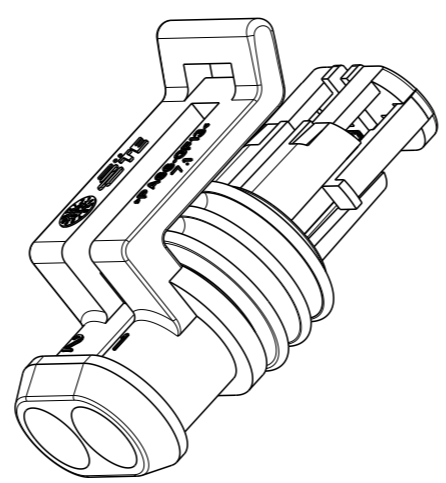
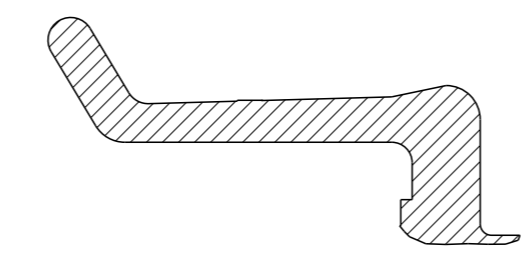
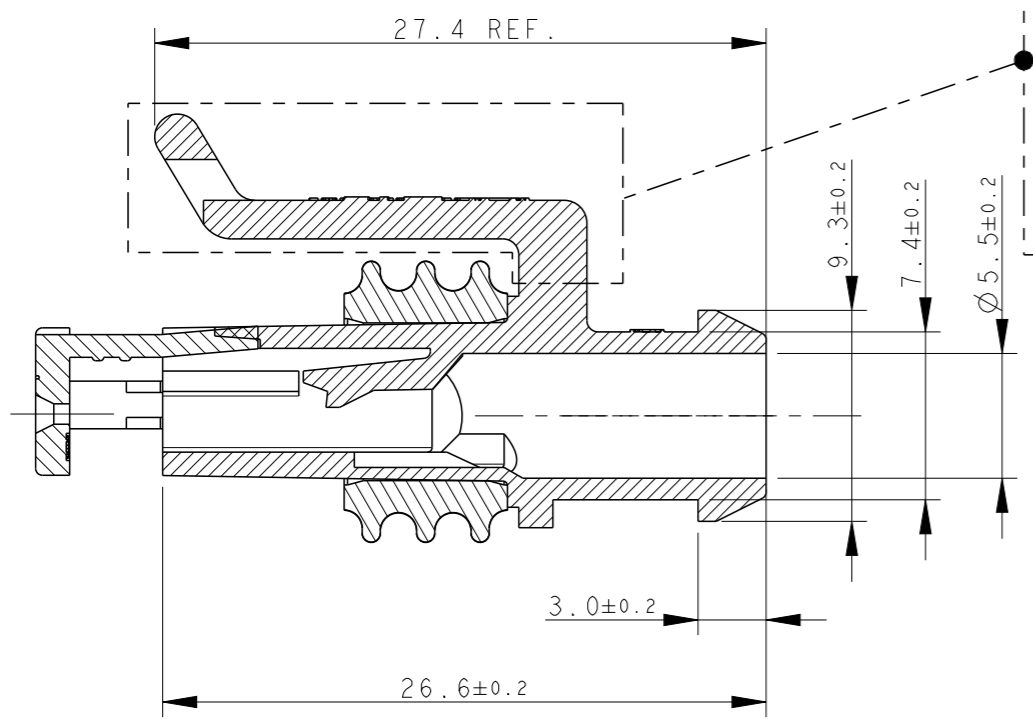
THIS DRAWING IS UNPUBLISHED. RELEASED FOR PUBLICATION 2011 ALL RIGHTS RESERVED.

© COPYRIGHT 2011

REVISIONS

P	LTR	DESCRIPTION	DATE	DWN	APVD
D2		ADDED FSL SEAL VERSION (ECO-15-016364)	13NOV2015	M.G.	M.G.
D3		REVISED PER ECO-17-001706	10FEB2017	C.A.	M.G.

ALTERNATIVE DESIGN OF LOCKING LANCE



1) FOR COUNTERPART DETAILS, SEE SHEET 2 OF 2

FINISH/COLOR	MATERIAL	PART NUMBER
(*) NOT YET RELEASED FOR PRODUCTION	BLACK	HOUSING+SEC.LOCK:PA66-GF SEALING: FSL
	BROWN	HOUSING+SEC.LOCK:PA66-GF SEALING: LSR
	GREEN	HOUSING+SEC.LOCK:PA66-GF SEALING: LSR
	GRAY	HOUSING+SEC.LOCK:PA66-GF SEALING: LSR
	BLACK	HOUSING+SEC.LOCK:PA66-GF SEALING: LSR
		1-282080-1 (*)
		282080-4
		282080-3
		282080-2
		282080-1

TE CONNECTIVITY TRADE MARK, (IN ALTERNATIVE: "AMP" LOGO, OR "Tyco Electronics" LOGO)

SEALING (COLOUR YELLOW FOR LSR VERSION) (COLOUR WHITE FOR FSL VERSION)

PRE-ASSEMBLED SECONDARY LOCK (COLOUR RED)

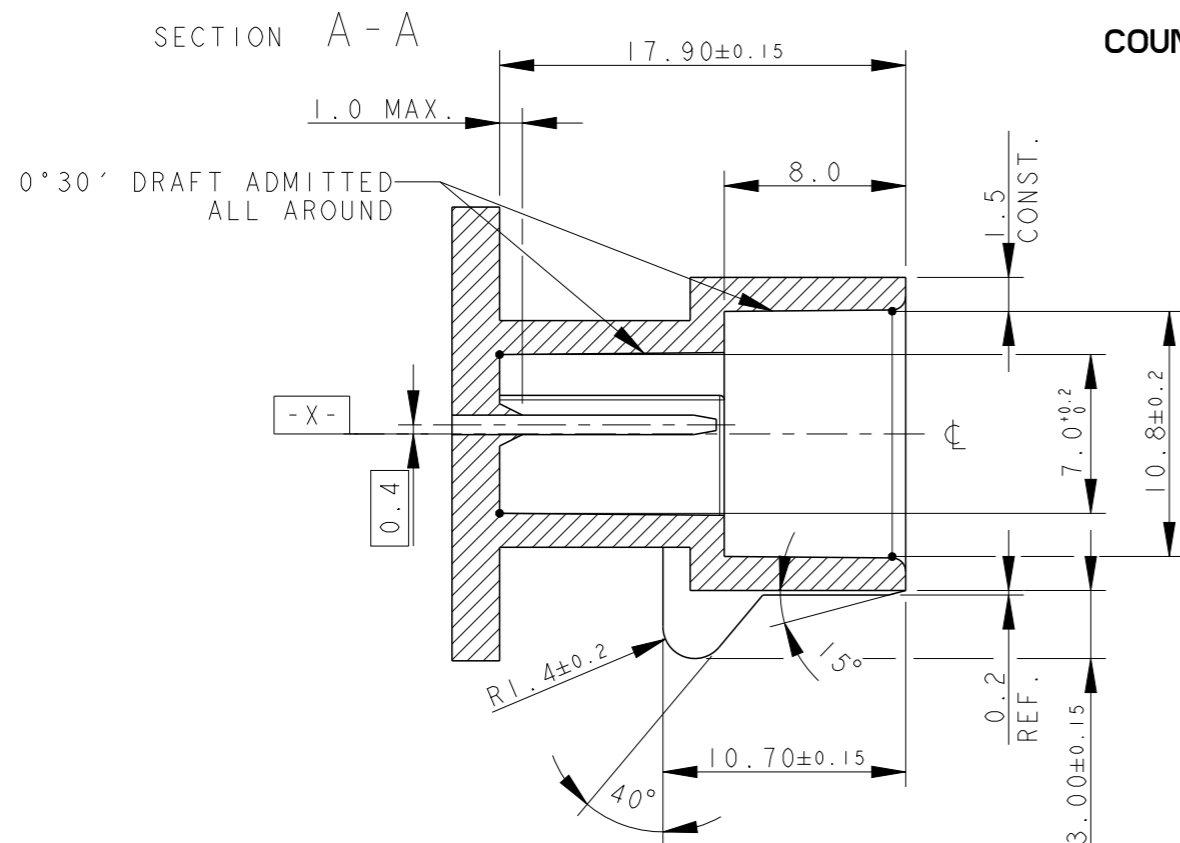
THIS DRAWING IS A CONTROLLED DOCUMENT.	
DIMENSIONS: mm	TOLERANCES UNLESS OTHERWISE SPECIFIED:
	0 PLC ± 1 PLC ±0.3 2 PLC ± 3 PLC ± 4 PLC ± ANGLES ±2°
MATERIAL SEE TABLE	FINISH SEE TABLE

DWN C. BERTINI 05-1992	TE Connectivity	
CHK A. BRUNI 05-1992	AMP SUPERSEAL 1.5 SRS. 2 POSITIONS PLUG ASS'Y	
APVD -	NAME -	RESTRICTED TO -
PRODUCT SPEC 108-20090	SIZE A3	CAGE CODE 00779
APPLICATION SPEC 412-20000	DRAWING NO C-282080	REV D3
WEIGHT 2.60gr	SCALE 3:1	SHEET 1 OF 2
Customer Drawing		

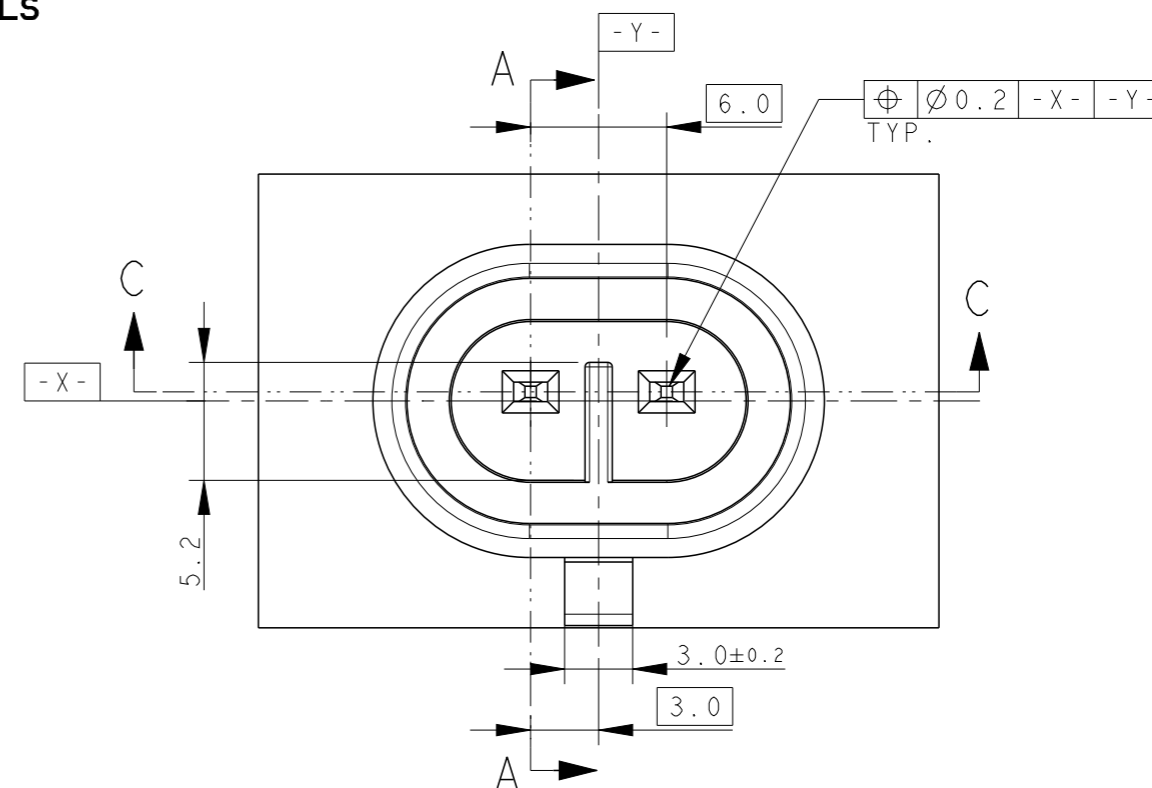
REVISIONS

P	LTR	DESCRIPTION	DATE	DWN	APVD
-	-	SEE SHEET 1	-	-	-

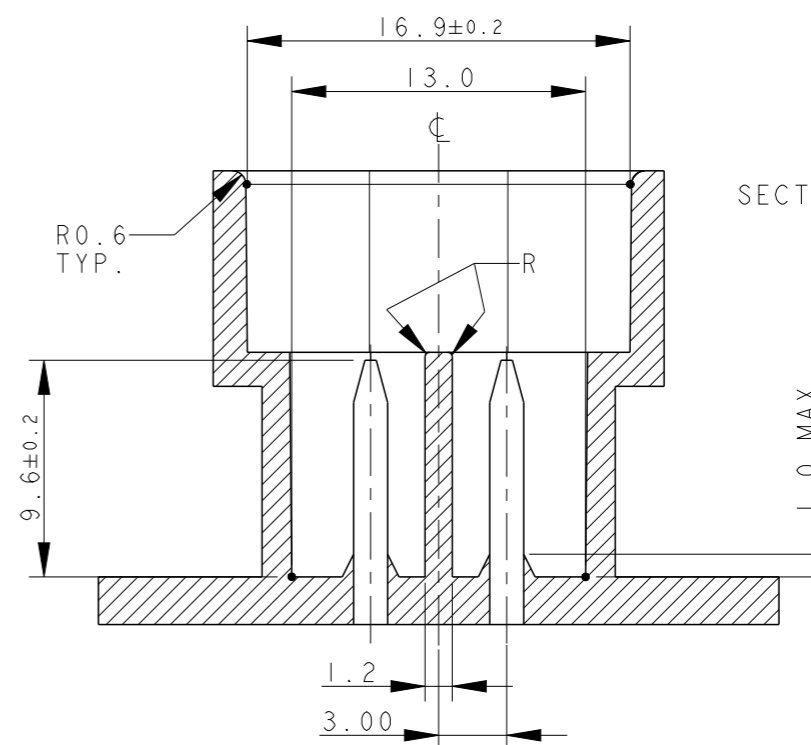
SECTION A - A



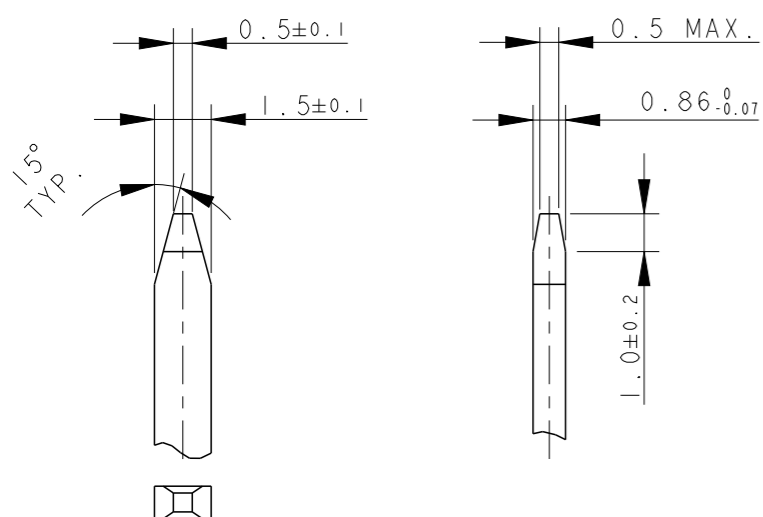
COUNTERPART DETAILS



SECTION C - C



TAB DETAILS



MATERIALS: PA66-GF FOR HOUSING
TIN PLATED BRASS FOR TABS

THIS DRAWING IS A CONTROLLED DOCUMENT.

DWN C. BERTINI 05-1992

CHK A. BRUNI 05-1992

APVD -

NAME -

DIMENSIONS:

mm

TOLERANCES UNLESS OTHERWISE SPECIFIED:

- 0 PLC ±0.3
- 1 PLC ±0.1
- 2 PLC ±0.05
- 3 PLC ±
- 4 PLC ±
- ANGLES ±2°



MATERIAL



FINISH



PRODUCT SPEC 108-20090

APPLICATION SPEC 412-20000

WEIGHT 2.60gr



AMP SUPERSEAL 1.5 SRS.
2 POSITIONS PLUG ASS'Y

SIZE	CAGE CODE	DRAWING NO	RESTRICTED TO
------	-----------	------------	---------------

A300779	C-282080	-	-
---------	----------	---	---

Customer Drawing	SCALE 5:1	SHEET 2 OF 2	REV D3
------------------	-----------	--------------	--------