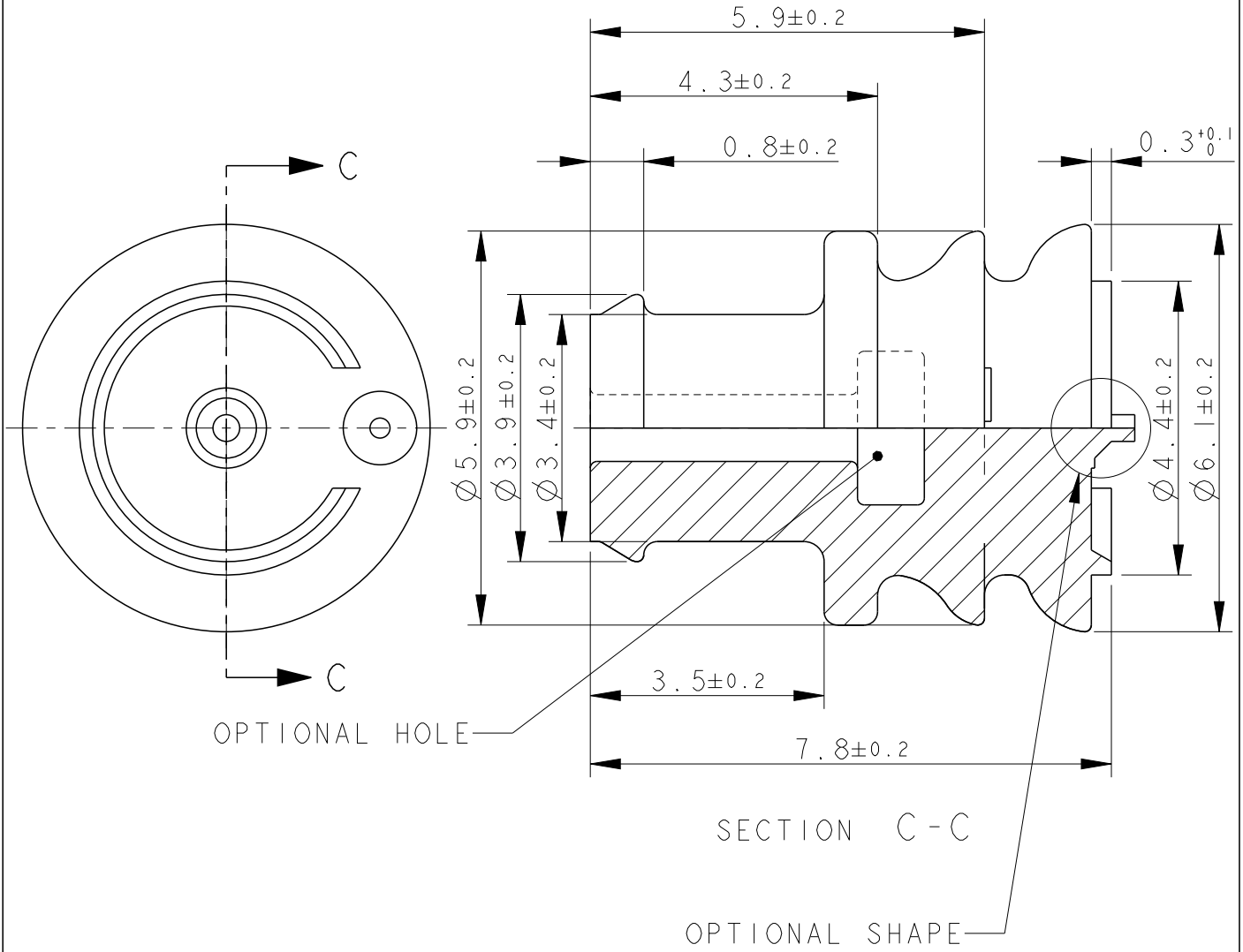


REVISIONS					
P	LTR	DESCRIPTION	DATE	DWN	APVD
	E 4	ADDED -2 VERSION (ECR-15-012759)	31AUG2015	M.G.	M.G.



282081-2	E	YELLOW	SILICONE RUBBER (NOT LUBRICATED)
282081-1	E	RED	SILICONE RUBBER (LUBRICATED)
PART NO.	REV.	COLOUR	MATERIAL

2007


RELEASED FOR PUBLICATION

ALL RIGHTS RESERVED.

THIS DRAWING IS UNPUBLISHED.

BY -

© COPYRIGHT 2007

DIMENSIONS: mm		DWN C. BERTINI	OCT-1989	MATERIAL	SEE TABLE	FINISH	SEE TABLE	
TOLERANCES UNLESS OTHERWISE SPECIFIED:		CHK A. BRUNI	OCT-1989	 TE Connectivity				
		APVD -	-					
0 PLC ±0.3	PRODUCT SPEC - APPLICATION SPEC - WEIGHT -	NAME		CAVITY PLUG FOR AMP SUPERSEAL 1,5 SRS. CONNECTORS				
1 PLC ±0.3		SIZE	CAGE CODE	DRAWING NO	RESTRICTED TO			
2 PLC ±		A 4	00779	C=282081	-			
3 PLC ±		Customer Drawing		SCALE	10:1	SHEET	1 OF 1	REV
4 PLC ±								
ANGLES ±2°								

