

THIS DRAWING IS UNPUBLISHED.

RELEASED FOR PUBLICATION

2011

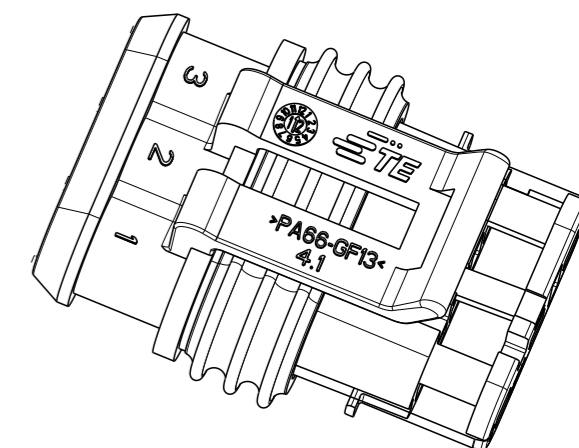
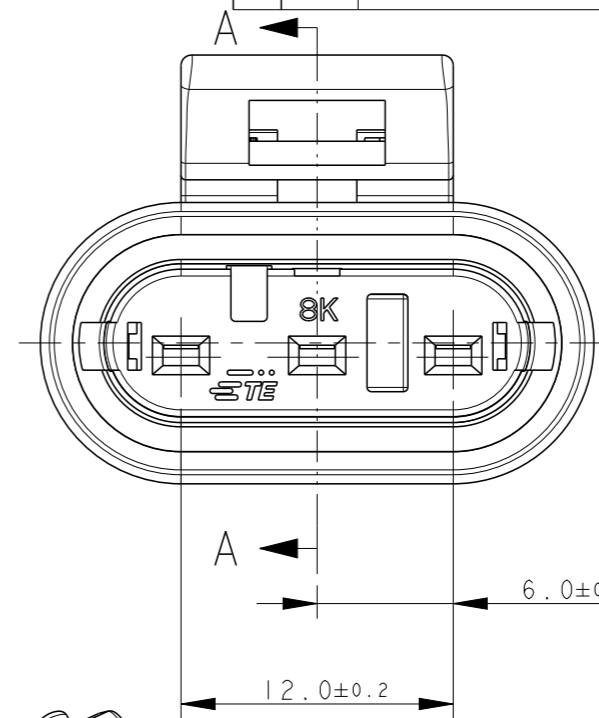
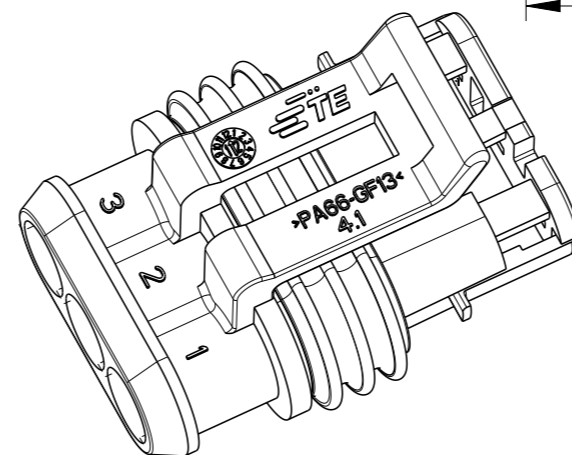
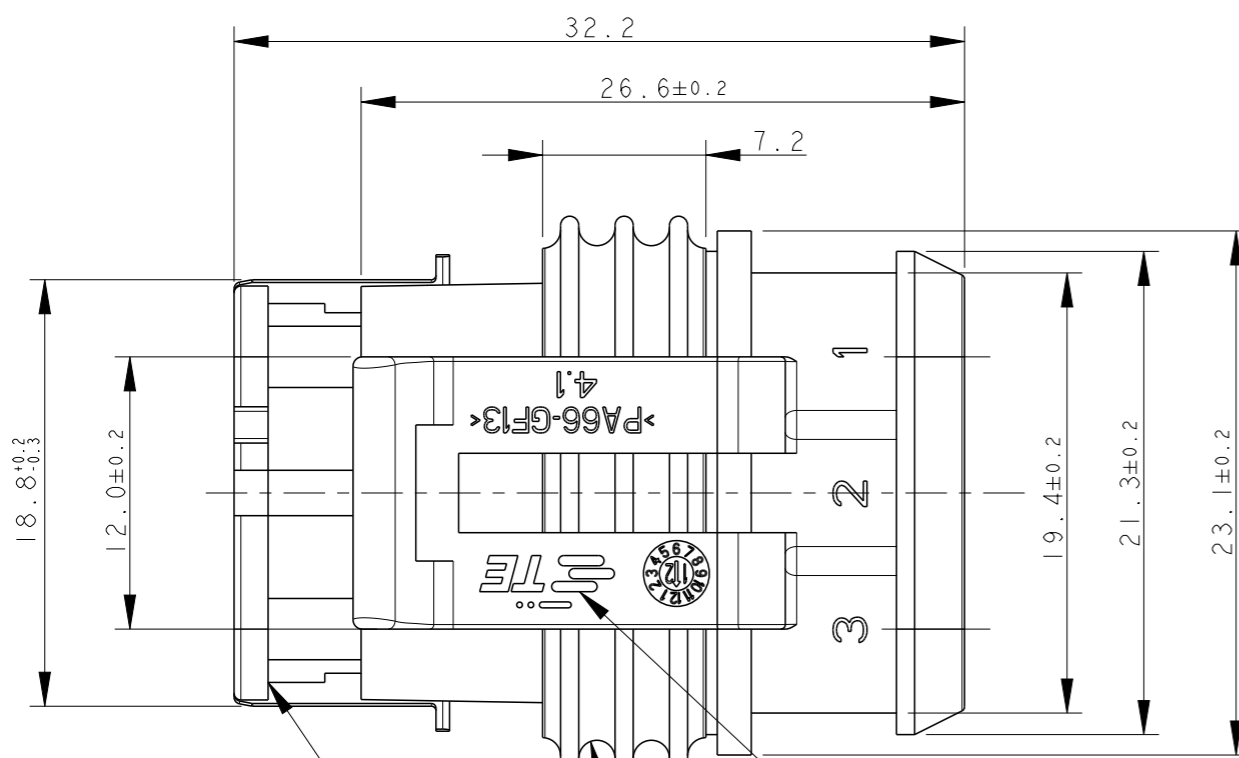
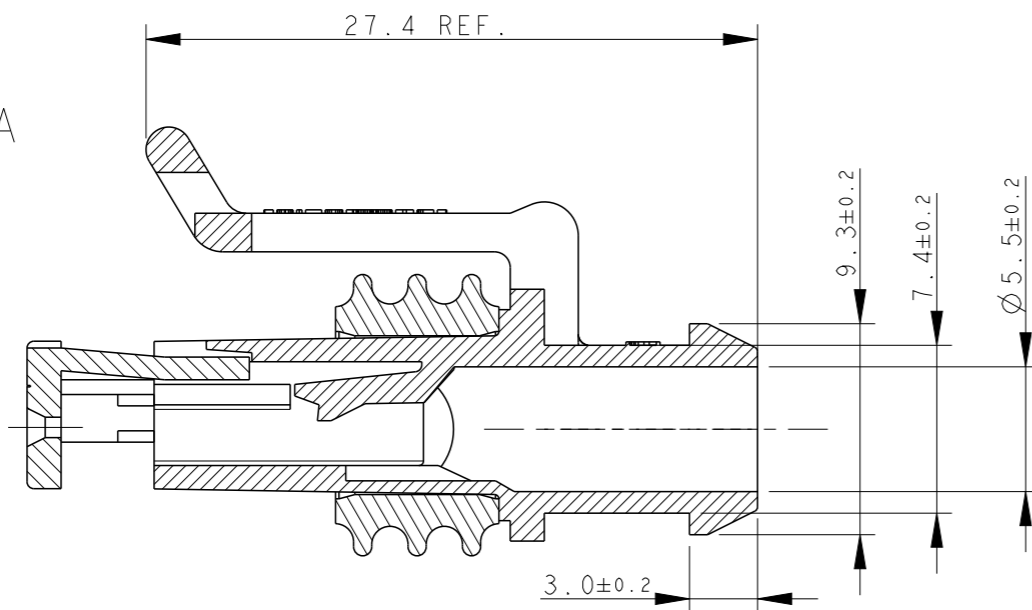
© COPYRIGHT 2011

ALL RIGHTS RESERVED.

REVISIONS

P	LTR	DESCRIPTION	DATE	DWN	APVD
C2		ADDED FSL SEAL VERSION (ECO-15-016364)	13NOV2015	M.G.	M.G.
C3		REVISED PER ECO-17-001706	10FEB2017	C.A.	M.G.

SECTION A-A



(*)

1) FOR COUNTERPART DETAILS, SEE SHEET 2 OF 2

FINISH/COLOR	MATERIAL	PART NUMBER
GRAY	HOUSING+SEC.LOCK:PA 66-GF SEALING: FSL	1-282087-2 (*)
BLACK	HOUSING+SEC.LOCK:PA 66-GF SEALING: FSL	1-282087-1 (*)
GRAY	HOUSING+SEC.LOCK:PA 66-GF SEALING: LSR	282087-2
BLACK	HOUSING+SEC.LOCK:PA 66-GF SEALING: LSR	282087-1

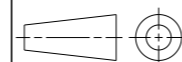
TE CONNECTIVITY TRADE MARK (IN ALTERNATIVE: "AMP" LOGO OR "Tyco Electronics" LOGO)

SEALING (COLOUR YELLOW FOR LSR VERSION) (COLOUR WHITE FOR FSL VERSION)

PRE-ASSEMBLED SECONDARY LOCK (COLOUR RED)

THIS DRAWING IS A CONTROLLED DOCUMENT.

DIMENSIONS: mm



MATERIAL - SEE TABLE

TOLERANCES UNLESS OTHERWISE SPECIFIED:

0 PLC ±-

1 PLC ±0.3

2 PLC ±-

3 PLC ±-

4 PLC ±-

ANGLES ±2°

FINISH - SEE TABLE

DWN 07-1990

C. BERTINI

CHK 07-1990

A. BRUNI

APVD -

PRODUCT SPEC

108-20090

APPLICATION SPEC

412-20000

WEIGHT

3.65gr

Customer Drawing

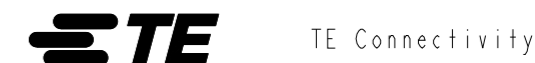
NAME -

AMP SUPERSEAL 1.5 SRS. 3 POSITIONS PLUG ASS'Y

SIZE CAGE CODE DRAWING NO RESTRICTED TO

A300779 C-282087

SCALE 3:1 SHEET 1 OF 2 REV C3

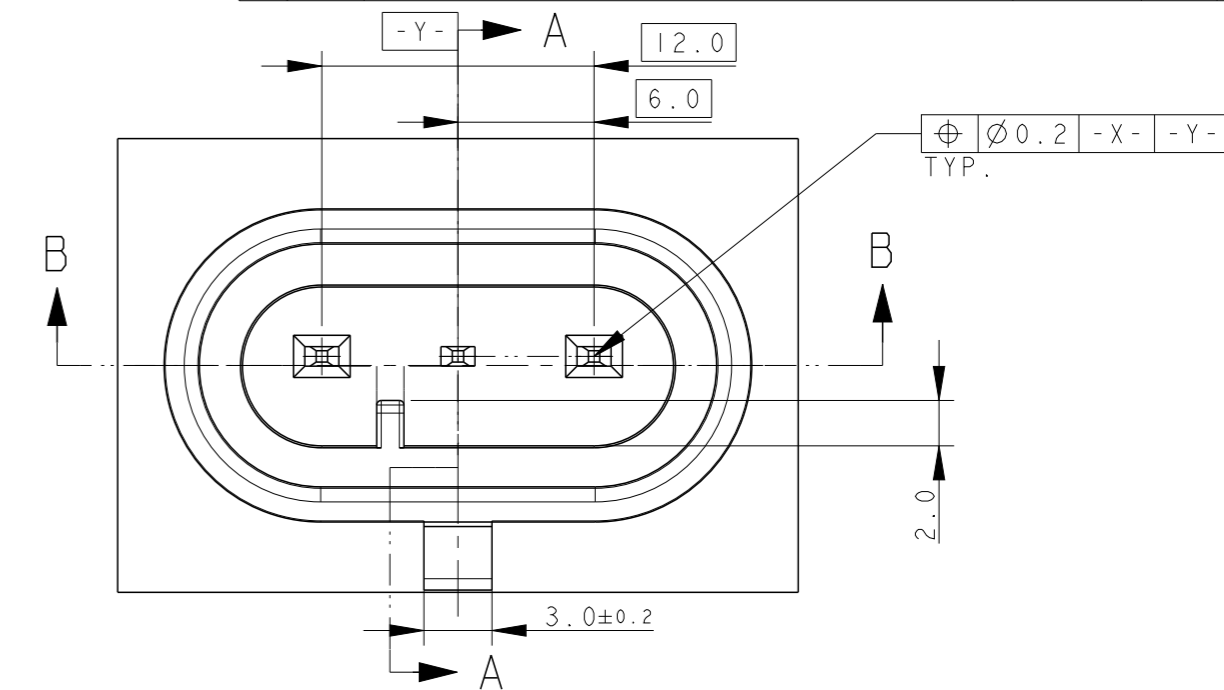
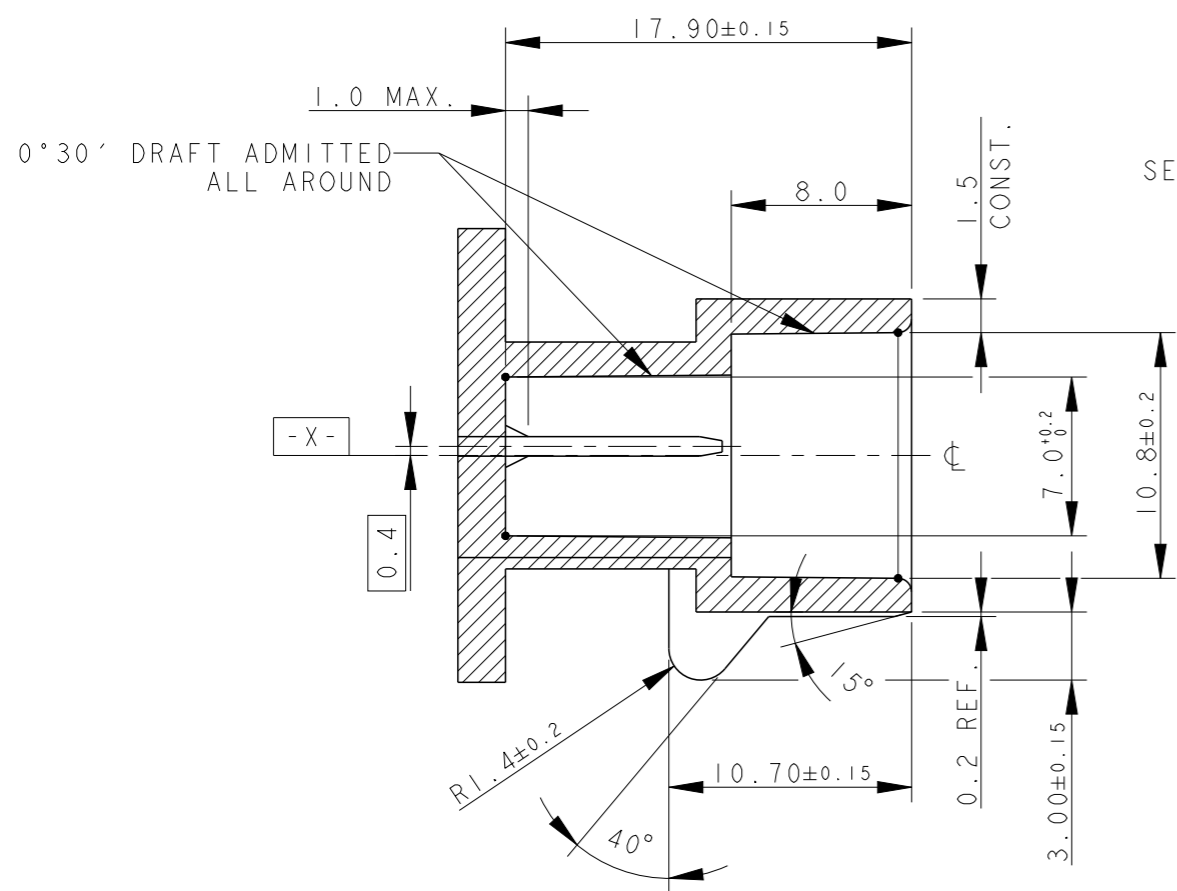


REVISIONS

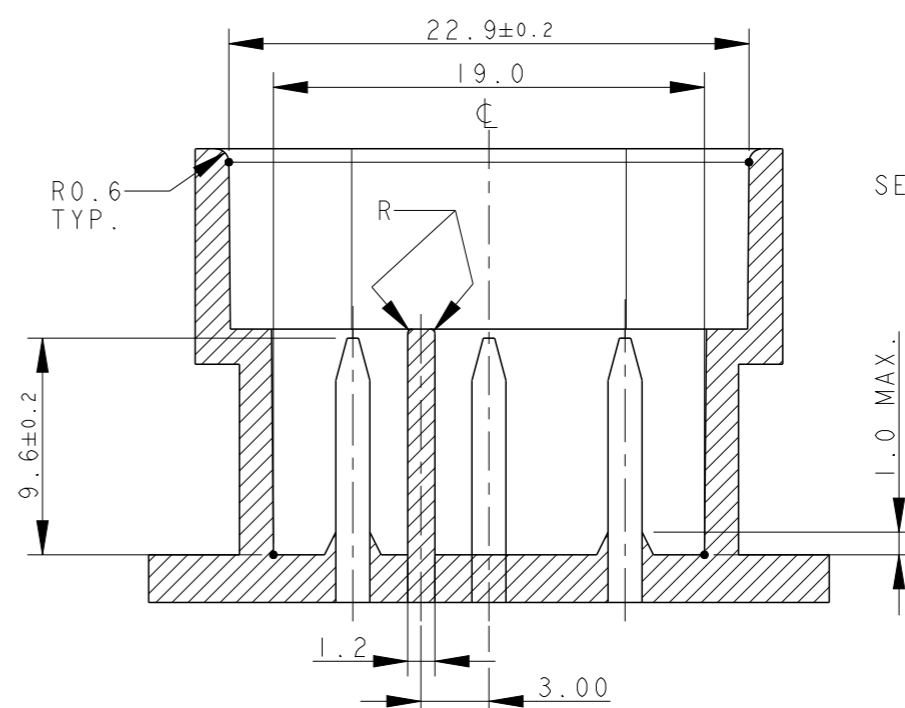
P	LTR	DESCRIPTION	DATE	DWN	APVD
-	-	SEE SHEET 1	-	-	-

COUNTERPART DETAILS

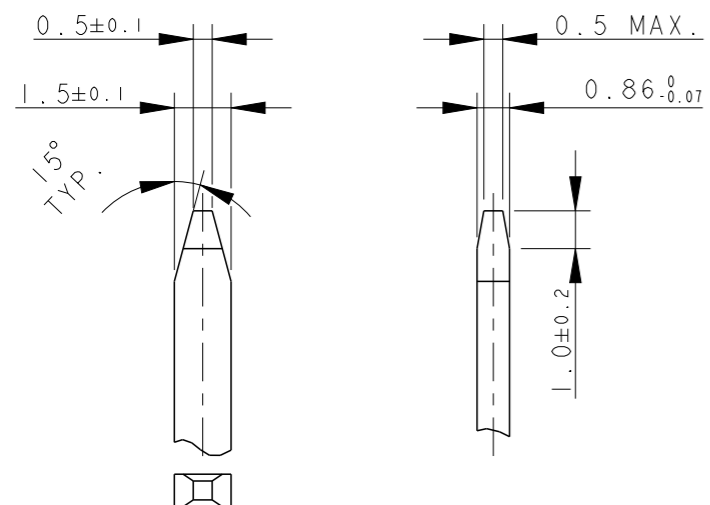
SECTION A-A



SECTION B-B



TAB DETAILS



MATERIALS: PA66-GF FOR HOUSING
TIN PLATED BRASS FOR TABS

THIS DRAWING IS A CONTROLLED DOCUMENT.

DWN C. BERTINI 07-1990
CHK A. BRUNI 07-1990
APVD -



DIMENSIONS: mm	TOLERANCES UNLESS OTHERWISE SPECIFIED:
	0 PLC ±0.3
	1 PLC ±0.1
	2 PLC ±0.05
	3 PLC ±
	4 PLC ±
	ANGLES ±2°
MATERIAL	FINISH

PRODUCT SPEC 108-20090
APPLICATION SPEC 412-20000
WEIGHT 3.65gr

NAME -			
AMP SUPERSEAL 1.5 SRS. 3 POSITIONS PLUG ASS'Y			
SIZE	CAGE CODE	DRAWING NO	RESTRICTED TO
A3	00779	C-282087	-
Customer Drawing	SCALE -	SHEET 2 OF 2	REV C3