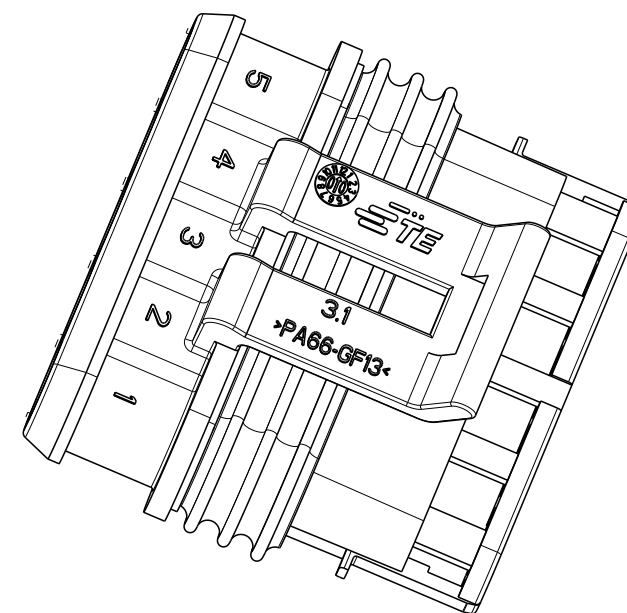
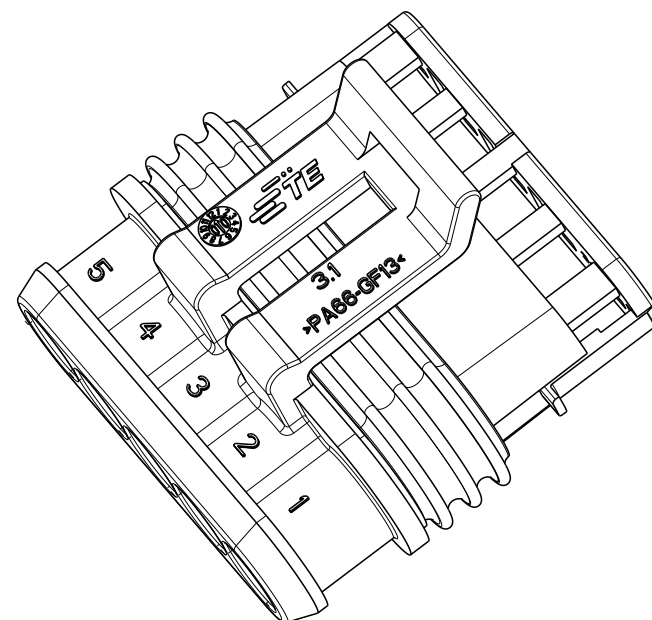
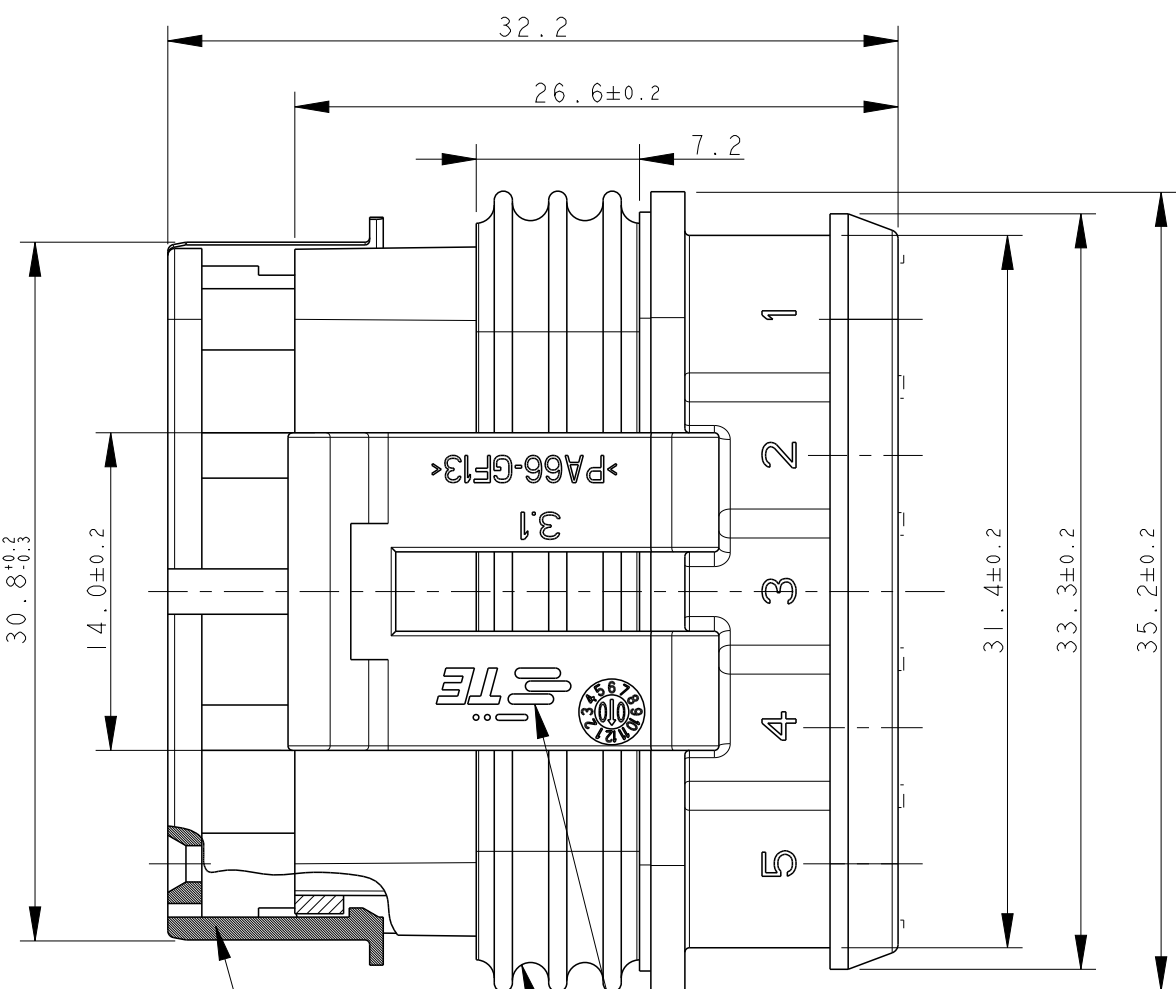
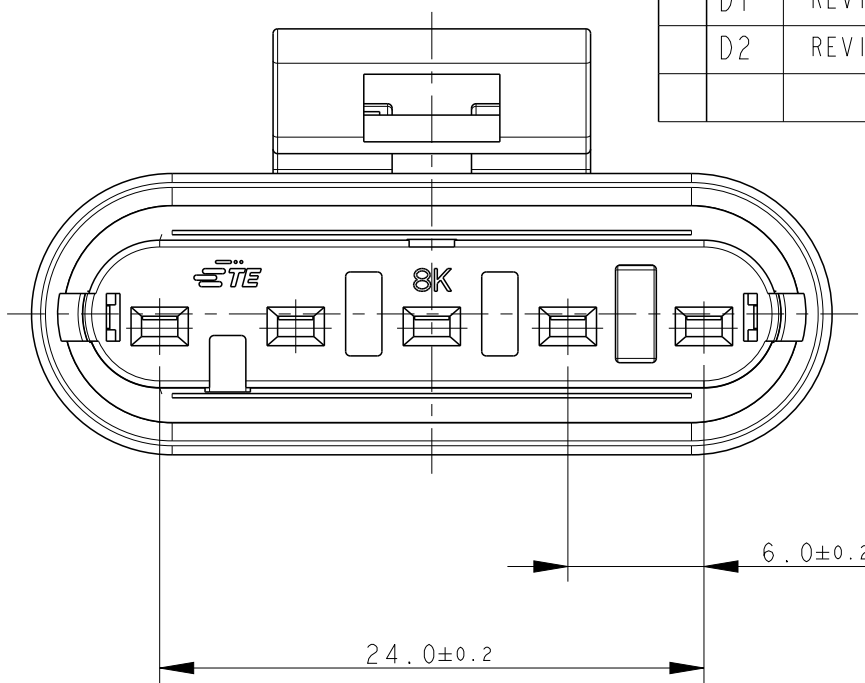
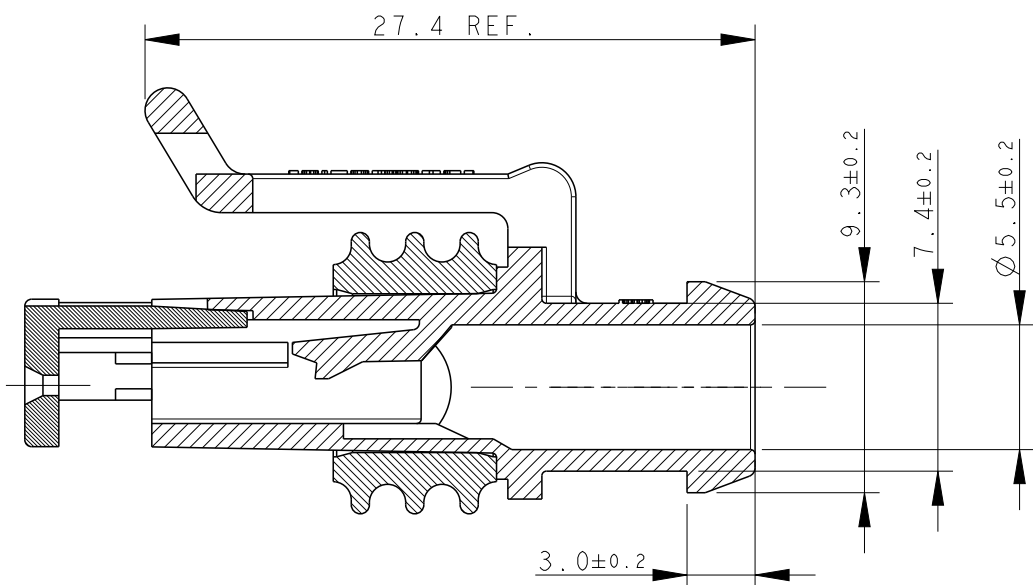


THIS DRAWING IS UNPUBLISHED. RELEASED FOR PUBLICATION 2011  
© COPYRIGHT 2011 BY - ALL RIGHTS RESERVED.

REVISIONS

P	LTR	DESCRIPTION	DATE	DWN	APVD
	D	ECR-14-009314	24MAR2015	M.P.	M.G.
	D1	REVISED (ECR-15-014031)	25SEP2015	M.G.	M.G.
	D2	REVISED PER ECO-17-001706	10FEB2017	C.A.	M.G.



1) FOR COUNTERPART DETAILS, SEE SHEET 2 OF 2

FINISH/COLOR	MATERIAL	PART NUMBER
GRAY	HOUSING+SEC. LOCK: PA66-GF SEALING: LSR	282089-2
BLACK	HOUSING+SEC. LOCK: PA66-GF SEALING: LSR	282089-1

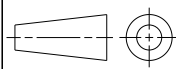
TE CONNECTIVITY TRADE MARK, (IN ALTERNATIVE: "AMP" LOGO, OR "Tyco Electronics" LOGO)

SEALING (COLOUR YELLOW)

PRE-ASSEMBLED SECONDARY LOCK (COLOUR RED)

THIS DRAWING IS A CONTROLLED DOCUMENT.

DIMENSIONS: mm



MATERIAL - SEE TABLE

TOLERANCES UNLESS OTHERWISE SPECIFIED:

0 PLC	±
1 PLC	±0.3
2 PLC	±
3 PLC	±
4 PLC	±
ANGLES	±2°
FINISH	-

SEE TABLE

DWN C. BERTINI 05-1992

CHK A. BRUNI 05-1992

APVD -

PRODUCT SPEC

108-20090

APPLICATION SPEC

412-20000

WEIGHT 5.45gr

Customer Drawing

**STE** TE Connectivity

AMP SUPERSEAL 1.5 SRS. 5 POSITIONS PLUG ASS'Y

SIZE	CAGE CODE	DRAWING NO	RESTRICTED TO
A3	00779	C-282089	-

SCALE 3:1 SHEET 1 OF 2 REV D2

4

3

2

1

THIS DRAWING IS UNPUBLISHED.

RELEASED FOR PUBLICATION

2011

REVISIONS

© COPYRIGHT 2011 BY -

ALL RIGHTS RESERVED.

P	LTR	DESCRIPTION	DATE	DWN	APVD
		SEE SHEET 1			

COUNTERPART DETAILS

SECTION A-A

SECTION C-C

TAB DETAILS

MATERIALS: PA66-GF FOR HOUSING  
TIN PLATED BRASS FOR TABS

THIS DRAWING IS A CONTROLLED DOCUMENT.

DWN C. BERTINI 05-1992

CHK A. BRUNI 05-1992

APVD -

NAME -

DIMENSIONS:

mm

TOLERANCES UNLESS OTHERWISE SPECIFIED:

0 PLC	±0.3
1 PLC	±0.1
2 PLC	±0.05
3 PLC	±
4 PLC	±
ANGLES	±2°

FINISH

PRODUCT SPEC

108-20090

APPLICATION SPEC

412-20000

WEIGHT

5.45gr

TE Connectivity

AMP SUPERSEAL 1.5 SRS.  
5 POSITIONS PLUG ASS'Y

SIZE CAGE CODE DRAWING NO

A300779 C-282089

RESTRICTED TO

Customer Drawing

SCALE 1:1

SHEET 2 OF 2

REV D2

1470-19 (3/13)