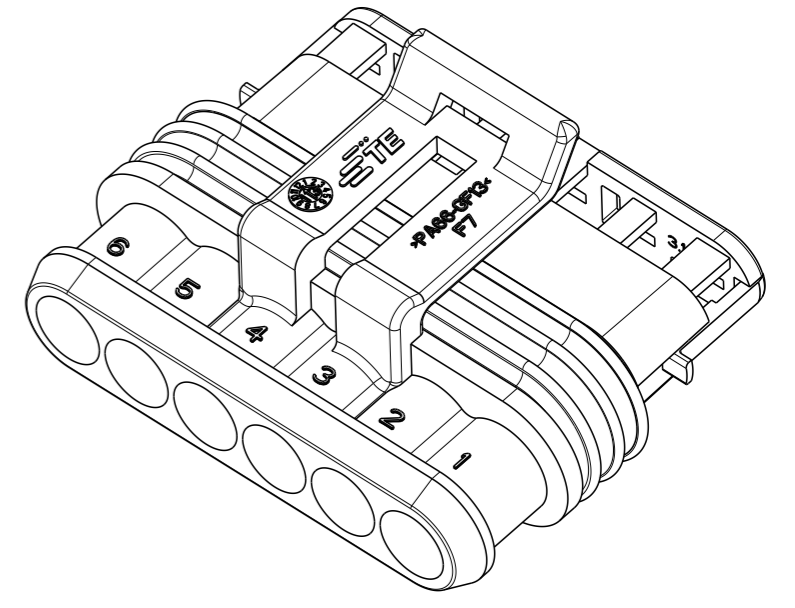
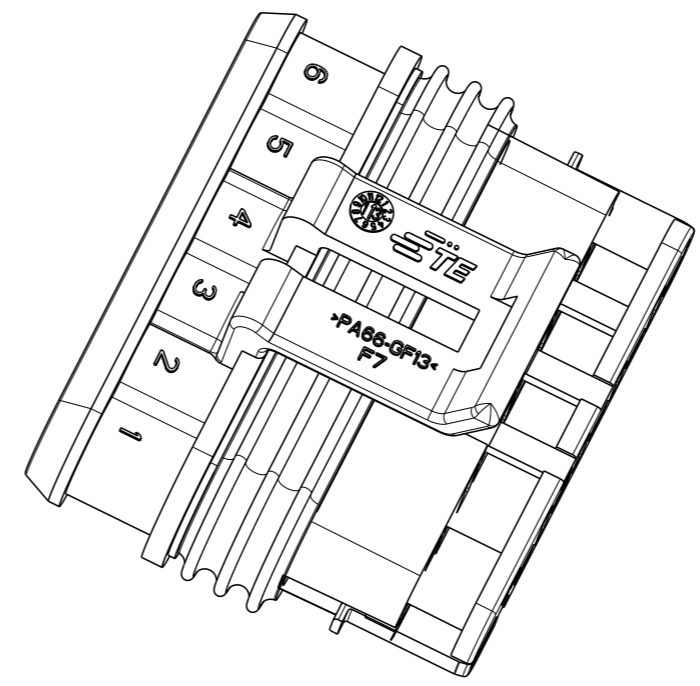
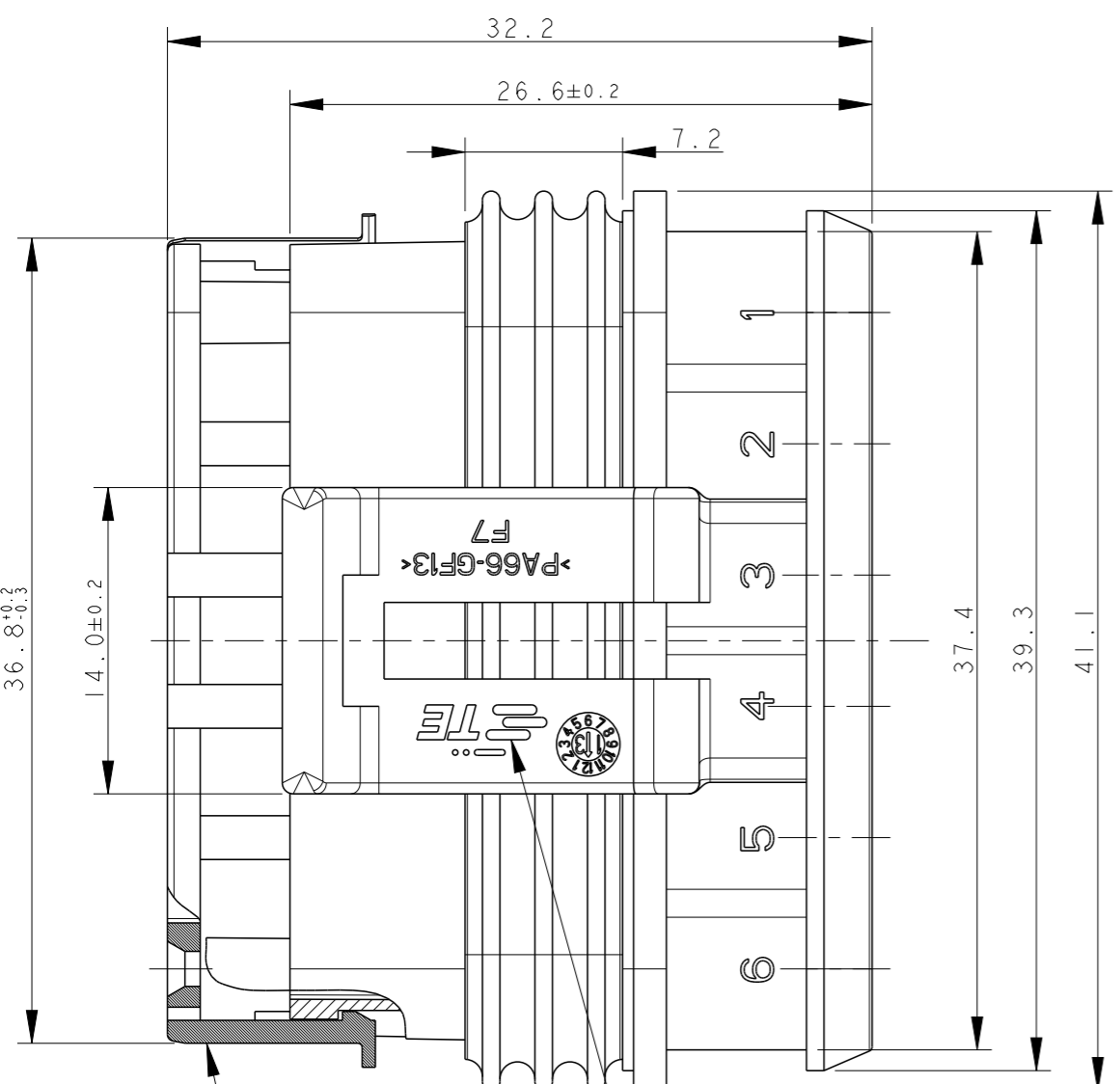
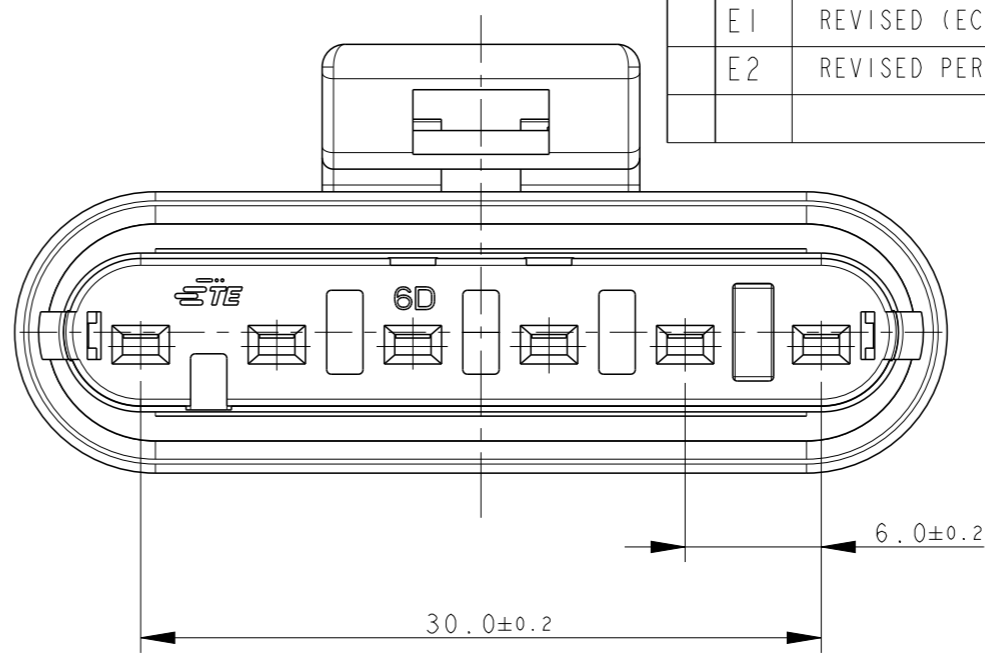
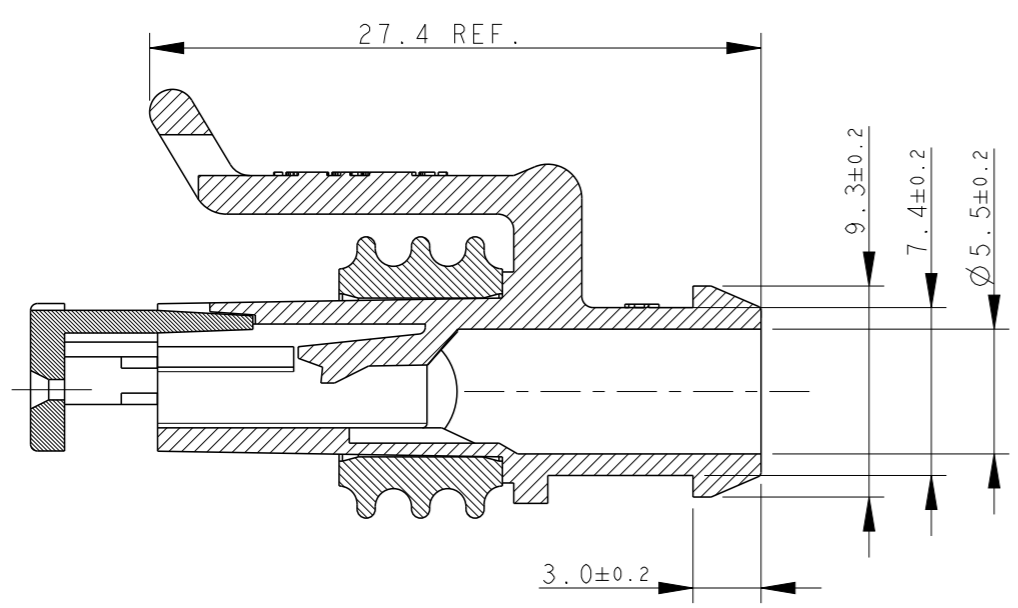


THIS DRAWING IS UNPUBLISHED. RELEASED FOR PUBLICATION 2011
COPYRIGHT 2011 ALL RIGHTS RESERVED.

REVISIONS

P	LTR	DESCRIPTION	DATE	DWN	APVD
	E	ECR-14-009314	24MAR2015	M.P.	M.G.
	E1	REVISED (ECR-15-014031)	25SEP2015	M.G.	M.G.
	E2	REVISED PER ECO-17-001706	10FEB2017	C.A.	M.G.



1) FOR COUNTERPART DETAILS, SEE SHEET 2 OF 2

TE CONNECTIVITY TRADE MARK, (IN ALTERNATIVE: "AMP" LOGO, OR "Tyco Electronics" LOGO)

SEALING (COLOUR YELLOW)

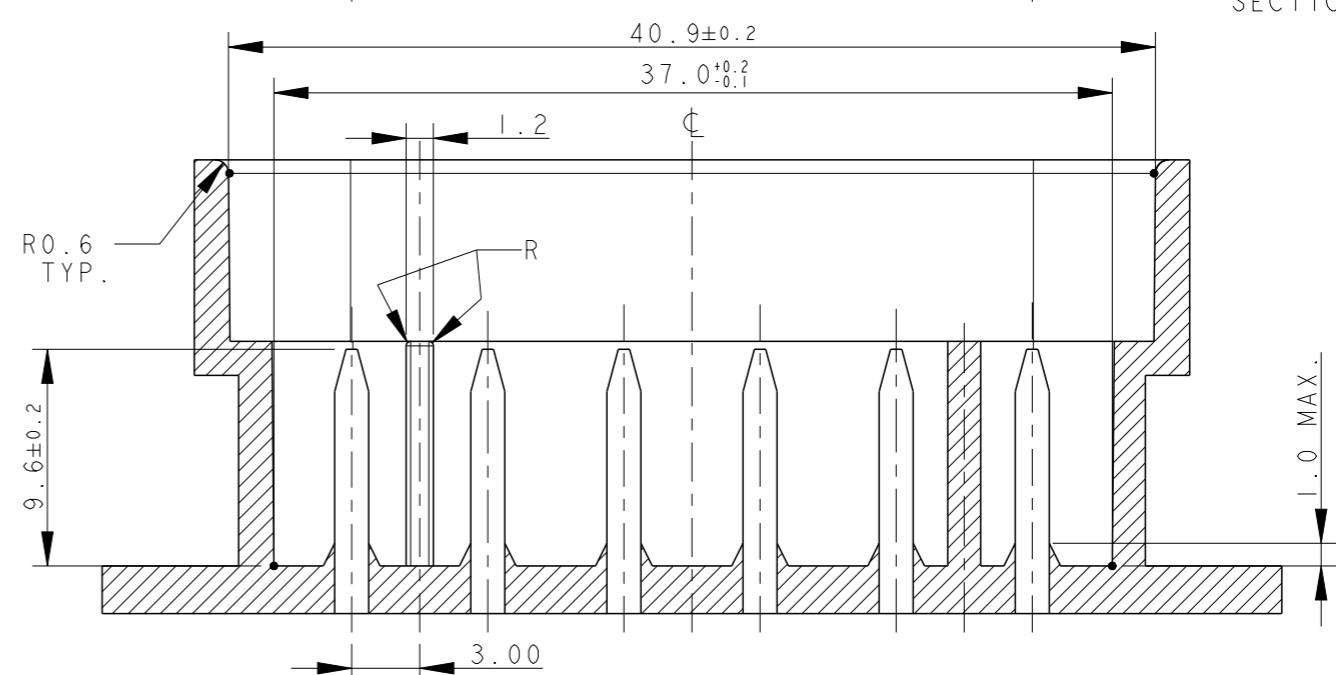
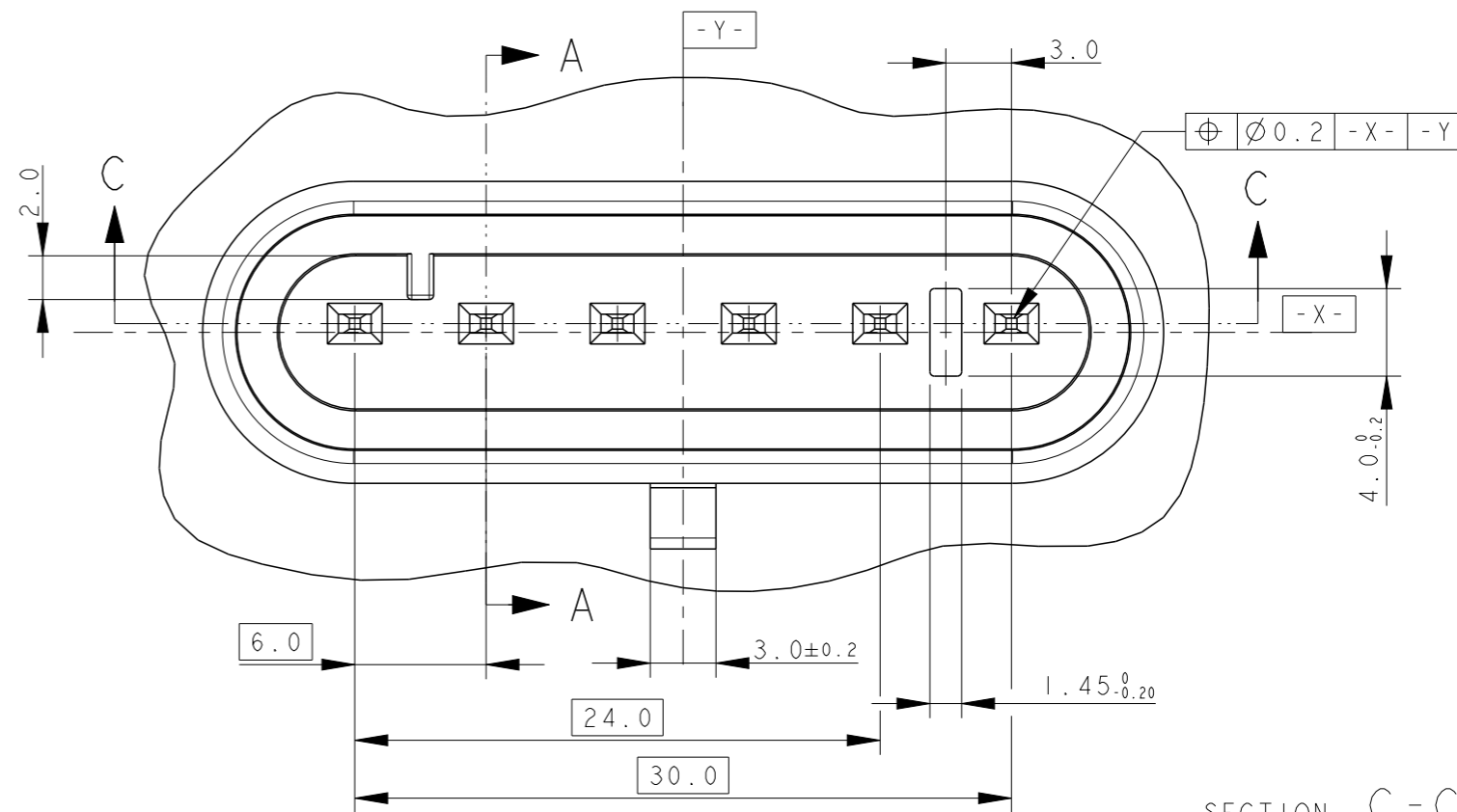
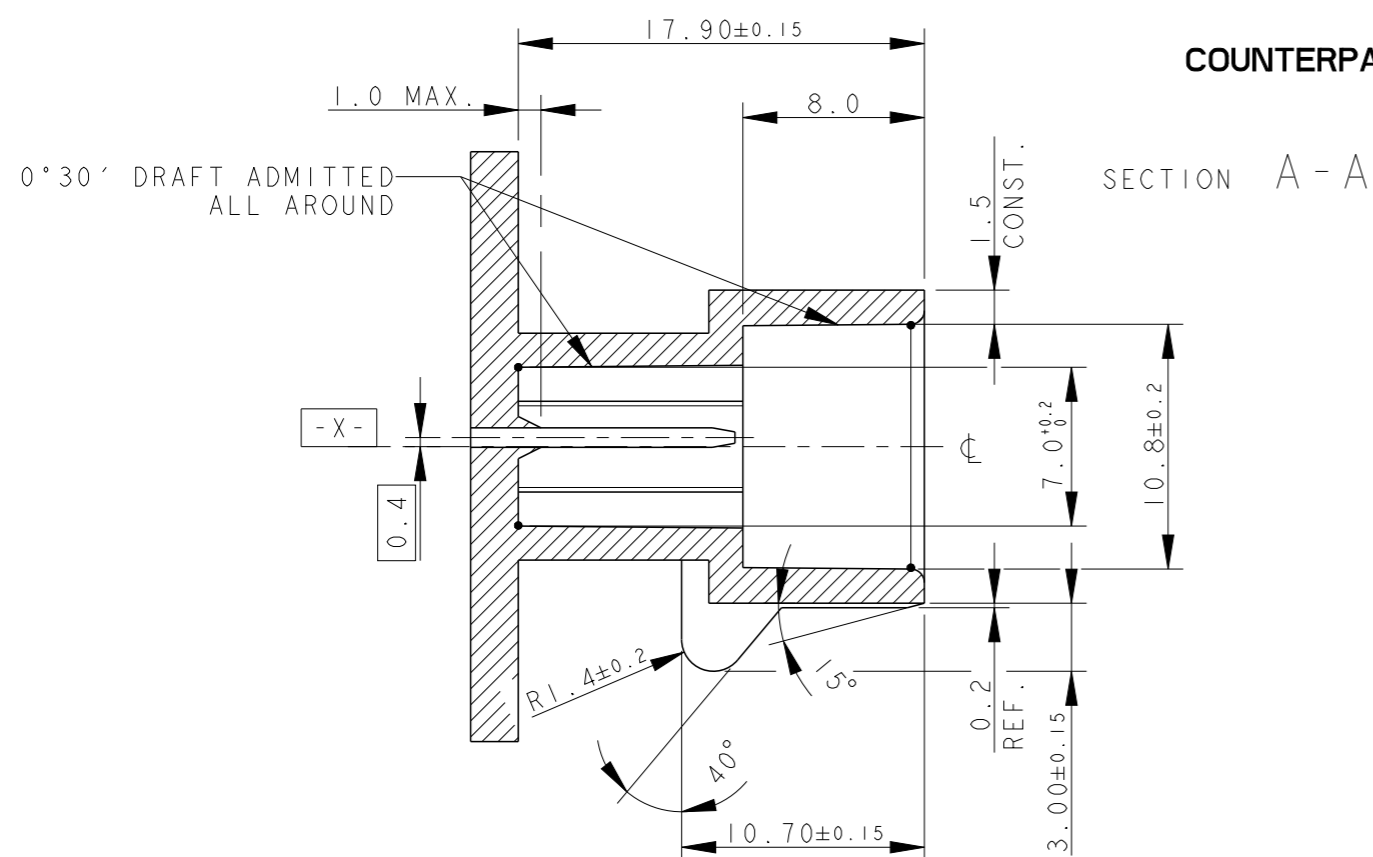
PRE-ASSEMBLED SECONDARY LOCK (COLOUR RED)

NOTE	FINISH/COLOR	MATERIAL	PART NUMBER
-	BLACK	HOUSING+SEC.LOCK: PA66-GF SEALING: LSR	282090-1

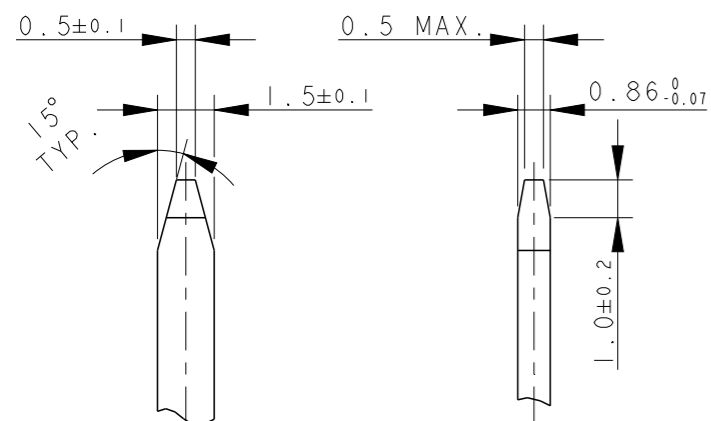
THIS DRAWING IS A CONTROLLED DOCUMENT.		DWN C. BERTINI 05-1992	STE TE Connectivity	
		CHK A. BRUNI 05-1992		
DIMENSIONS: mm		APVD -	NAME -	
TOLERANCES UNLESS OTHERWISE SPECIFIED:		PRODUCT SPEC 108-20090	AMP SUPERSEAL 1.5 SRS. 6 POSITIONS PLUG ASS'Y	
0 PLC ±-		APPLICATION SPEC 412-20000	SIZE A3	CAGE CODE 00779
1 PLC ±0.3		WEIGHT 6.55gr	DRAWING NO C-282090	RESTRICTED TO -
2 PLC ±-		Customer Drawing		
3 PLC ±-		SCALE 3:1	SHEET 1 OF 2	REV E2
4 PLC ±-				
ANGLES ±2°				
FINISH -				
MATERIAL -				
SEE TABLE				

P	LTR	DESCRIPTION	DATE	DWN	APVD
		SEE SHEET 1			


COUNTERPART DETAILS



TAB DETAILS



MATERIALS: PA66-GF FOR HOUSING
TIN PLATED BRASS FOR TABS

THIS DRAWING IS A CONTROLLED DOCUMENT.		DWN C. BERTINI 05-1992	 TE Connectivity		
DIMENSIONS: mm		CHK A. BRUNI 05-1992			
TOLERANCES UNLESS OTHERWISE SPECIFIED:		APVD -	NAME -		
0 PLC ±0.3 1 PLC ±0.1 2 PLC ±0.05 3 PLC ± 4 PLC ± ANGLES ±2°		PRODUCT SPEC 108-20090	AMP SUPERSEAL 1.5 SRS. 6 POSITIONS PLUG ASS'Y		
MATERIAL		APPLICATION SPEC 412-20000	SIZE A300779	DRAWING NO C-282090	RESTRICTED TO -
FINISH		WEIGHT 6.55gr	SCALE 5:1	SHEET 2 OF 2	REV E2
		Customer Drawing			