

THIS DRAWING IS UNPUBLISHED.

RELEASED FOR PUBLICATION

2007

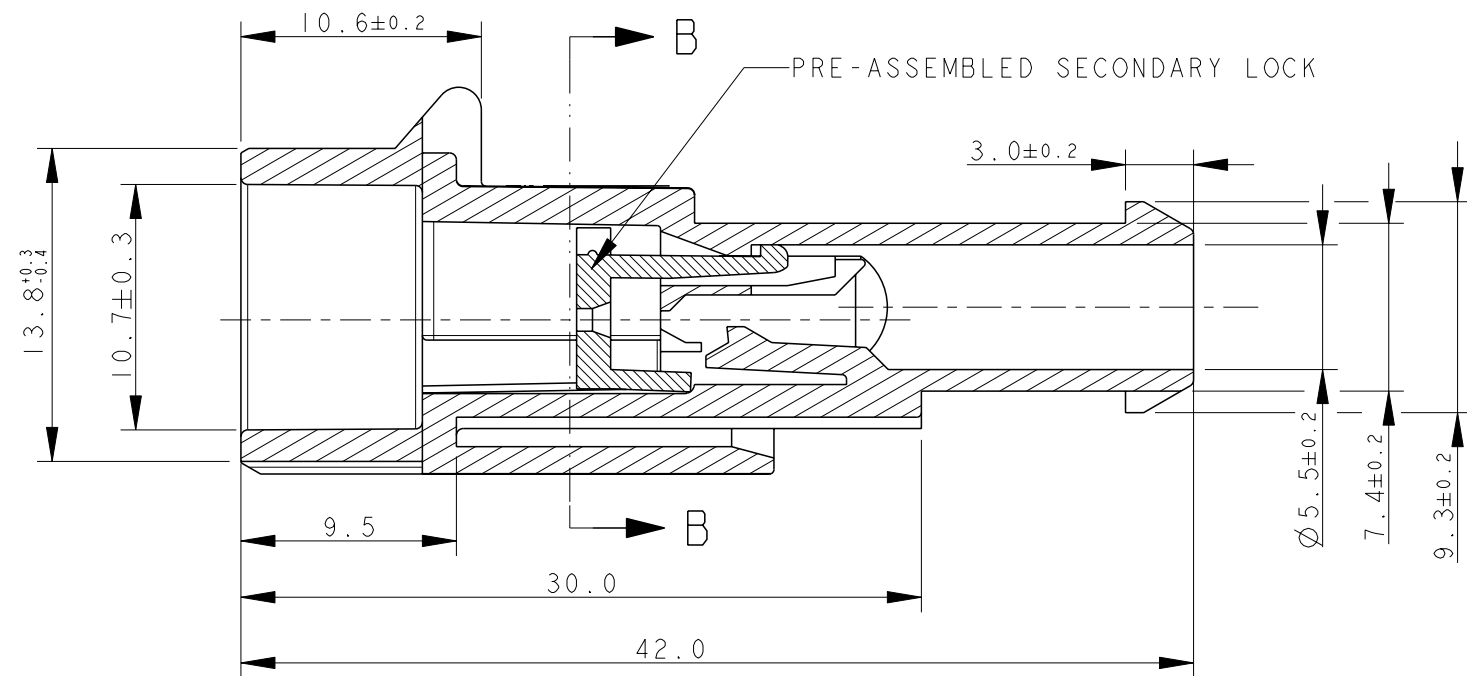
© COPYRIGHT 2007 BY -

ALL RIGHTS RESERVED.

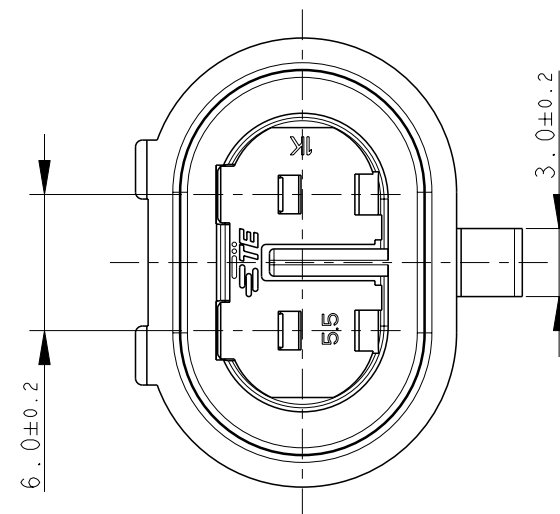
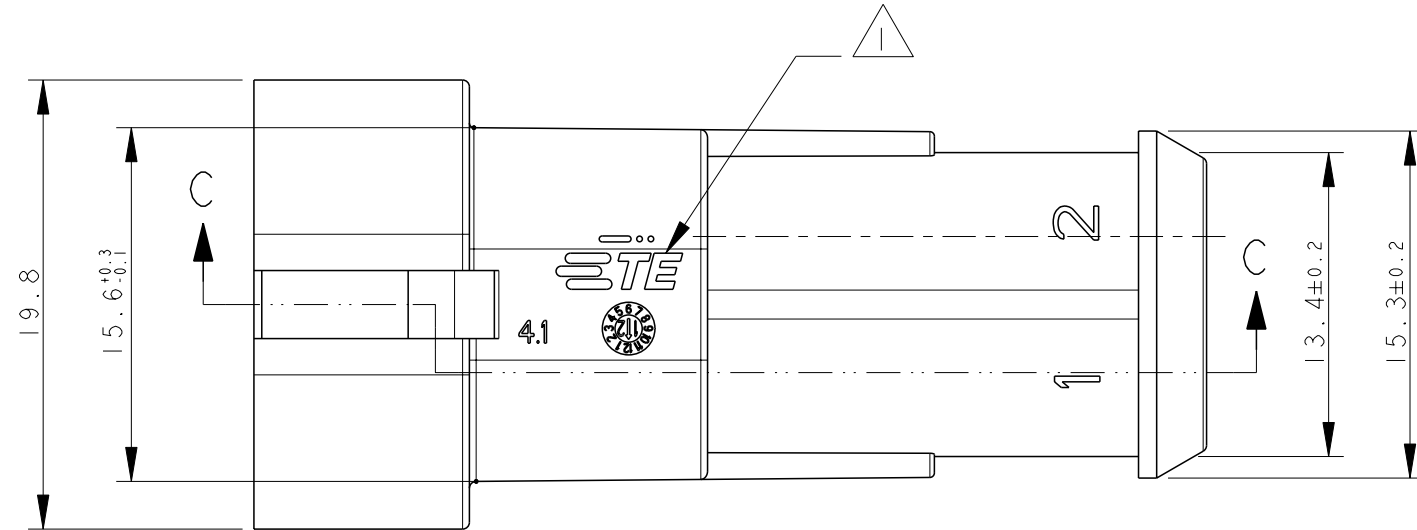
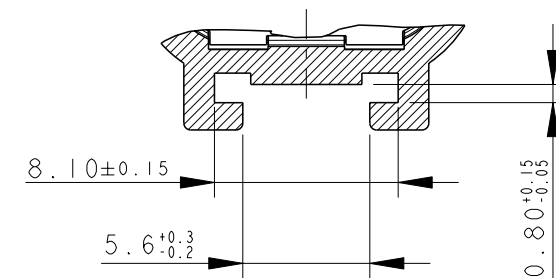
REVISIONS

P	LTR	DESCRIPTION	DATE	DWN	APVD
	B1	REVISED PER ECO-17-009774	06SEP2017	M.G.	M.G.

SECTION C-C



PART SECTION B-B



HSG: WHITE SEC. LOCK: WHITE	PA66-GF UL94-V2 ACC. TO IEC 60335-1	A	1745099-1
HSG: GREEN SEC. LOCK: RED	PA66-GF	B	282104-3
HSG: GRAY SEC. LOCK: RED	PA66-GF	B	282104-2
HSG: BLACK SEC. LOCK: RED	PA66-GF	B	282104-1
FINISH/COLOR	MATERIAL	REV	P/N


 TE CONNECTIVITY TRADE MARK,
 (IN ALTERNATIVE: "AMP" LOGO, OR "Tyco Electronics" LOGO)

THIS DRAWING IS A CONTROLLED DOCUMENT.

DWN C. BERTINI 02-1990

CHK A. BRUNI 02-1990

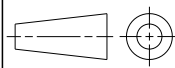
APVD -

PRODUCT SPEC 108-20090

APPLICATION SPEC 412-20000

WEIGHT 3.72g

Customer Drawing

DIMENSIONS:	
mm	
	0 PLC ±
	1 PLC ± 0.3
	2 PLC ±
	3 PLC ±
	4 PLC ±
	ANGLES ± 2°
MATERIAL	
SEE TABLE	

TOLERANCES UNLESS OTHERWISE SPECIFIED:	
	±
	± 0.3
	±
	±
	±
	±
FINISH	
SEE TABLE	

NAME			
AMP SUPERSEAL 1.5 SRS. 2 POSITIONS TAB ASS'Y			
SIZE	CAGE CODE	DRAWING NO	RESTRICTED TO
A300779	C=282104		-
SCALE 3:1		SHEET 1 OF 1	REV B1


 TE Connectivity