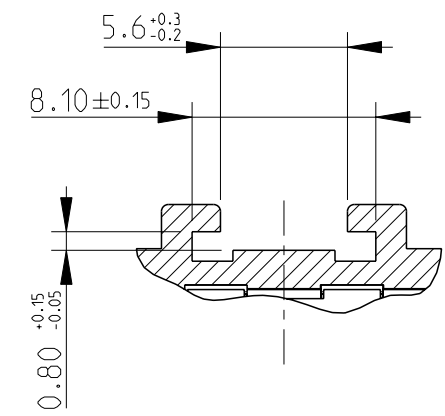
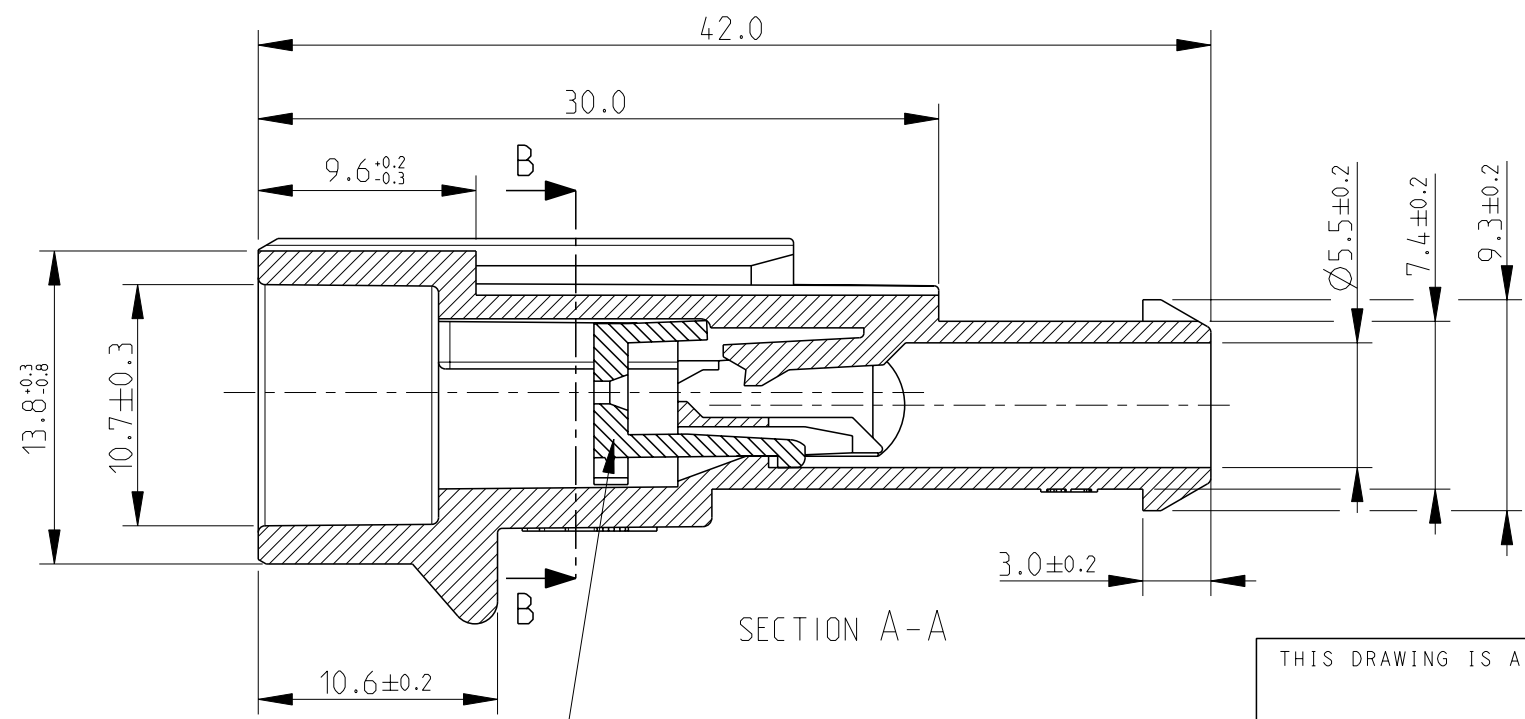
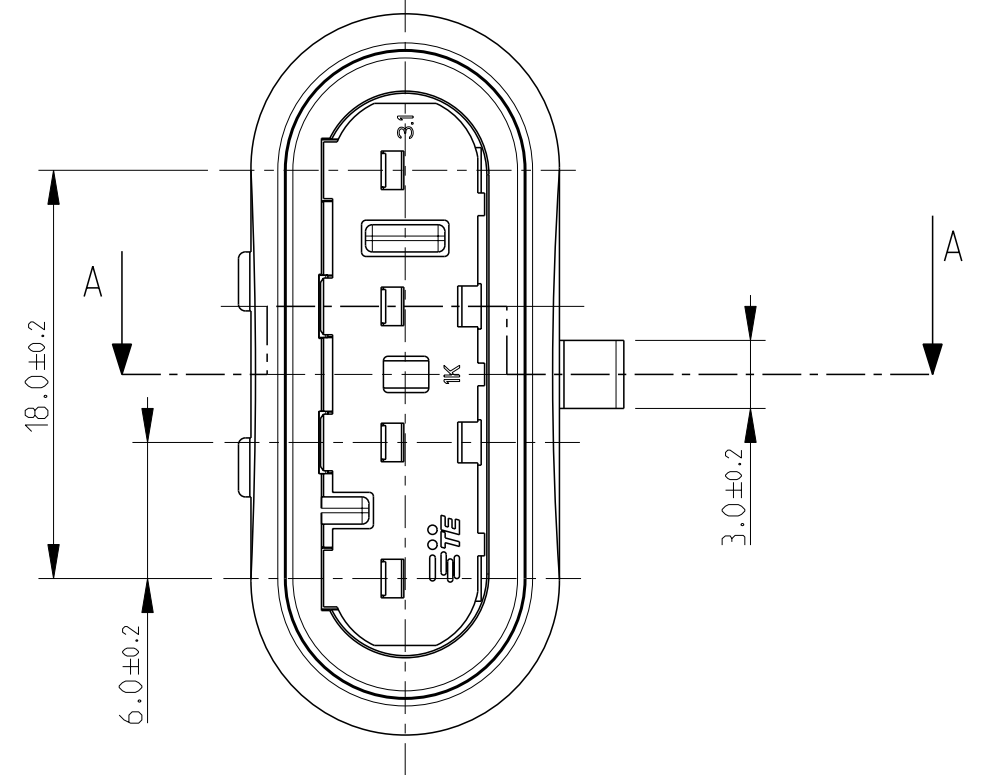
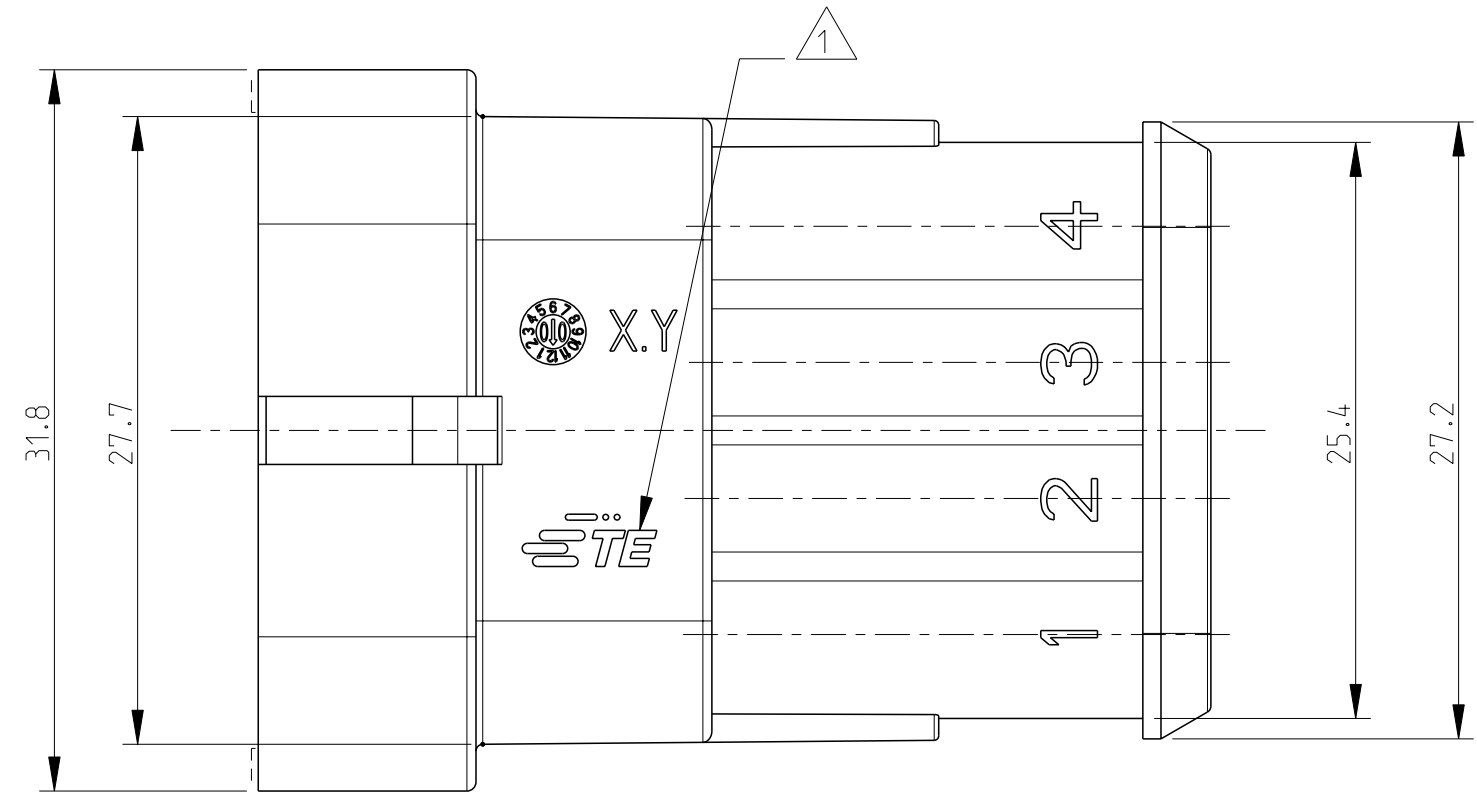


THIS DRAWING IS UNPUBLISHED. RELEASED FOR PUBLICATION 20
 © COPYRIGHT 20 BY - ALL RIGHTS RESERVED.

REVISIONS					
P	LTR	DESCRIPTION	DATE	DWN	APVD
	B3	REVISED (ECO-17-009774)	06SEP2017	M.G.	M.G.



PART. SECTION B-B

GRAY	PA66-GF	B	282106-2
BLACK	PA66-GF	B	282106-1
FINISH/COLOR	MATERIAL	REV	PART NUMBER

△ TE CONNECTIVITY TRADE MARK,
 (IN ALTERNATIVE: "AMP" LOGO, OR "Tyco Electronics" LOGO)

PRE-ASSEMBLED SECONDARY LOCK
 (RED COLOR)

THIS DRAWING IS A CONTROLLED DOCUMENT.		DWN C.BERTINI 02 - 1990	TE Connectivity	
		CHK A.BRUNI 02 - 1990		
DIMENSIONS: mm		APVD -	NAME AMP SUPERSEAL 1,5 SERIES CONNECTORS 4 POSITIONS TAB ASS'Y	
TOLERANCES UNLESS OTHERWISE SPECIFIED:		PRODUCT SPEC 108-20090	-	
0 PLC ±	± 0.3	APPLICATION SPEC 412-20000	SIZE A3	CAGE CODE -
1 PLC ±	± 0.3	WEIGHT 6.14g	DRAWING NO C-282106	RESTRICTED TO -
2 PLC ±	± 0.3			
3 PLC ±	± 0.3			
4 PLC ±	± 0.3			
ANGLES ± 2°				
MATERIAL - SEE TABLE	FINISH - SEE TABLE	CUSTOMER DRAWING	SCALE 3:1	SHEET 1 OF 1
				REV B3