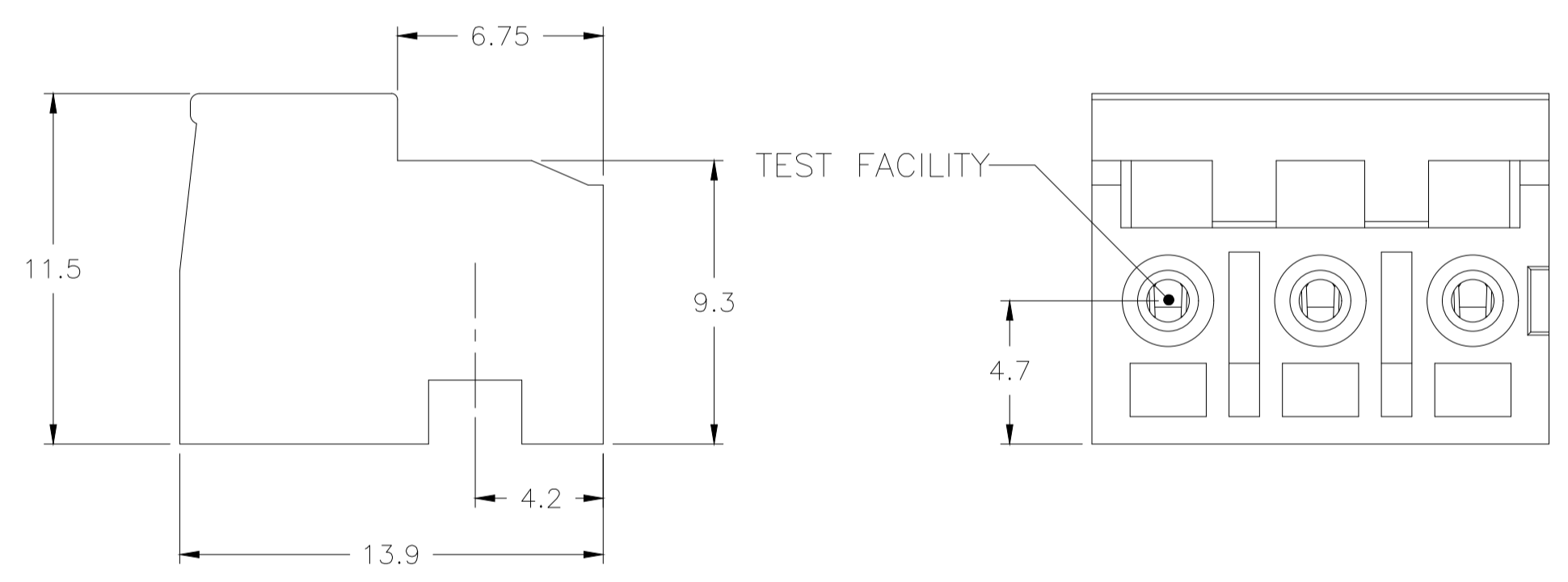
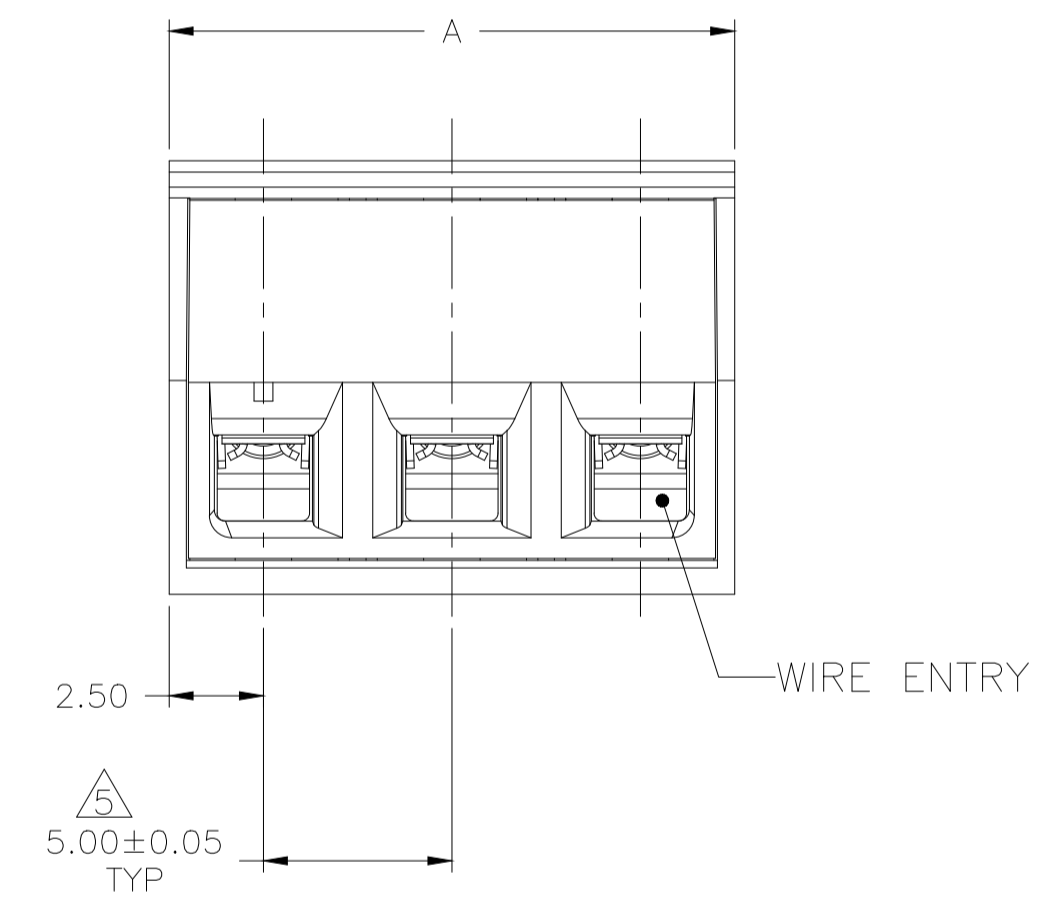
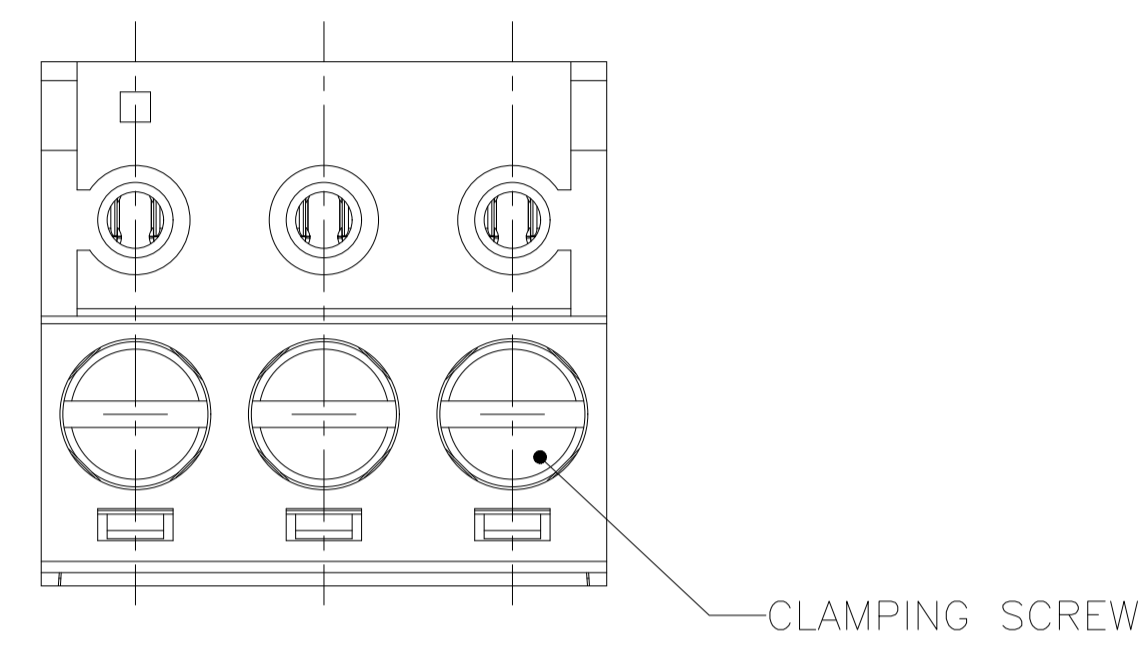


REVISIONS				
NO	DATE	DESCRIPTION	BY	APP'D
L6	17JAN2018	P/N 3-282830-8 ADDED	RK	PS

NOTES:

- 1 MATERIALS AND FINISH  
 HOUSING: PA 6-6, UL 94-V0, COLOR: GREEN.  
 CLAMP: BRASS, NICKEL PLATED.  
 CONTACT: PHOSPHOR BRONZE, TIN PLATED.  
 CLAMPING SCREW: M3, BRASS, NICKEL PLATED.
- 3. RECOGNIZED UNDER THE COMPONENT PROGRAM OF UNDERWRITERS LABORATORIES INC. FILE NO. E60677.
- 4. IMQ CERTIFICATE WITH SURVEILLANCE IN CONFORMITY WITH IEC 998-1/998-2-1.
- 5 NOT CUMULATIVE TOLERANCE.
- 6 INK MARKING, BLACK COLOR.
- 7 INK MARKING, WHITE COLOR.
- 8 WIRE ENTRY IN THE CLOSED POSITION.
- 9 SEE FIGURE.
- 10 END TO END STACKABLE W/O LOSS OF CENTERLINE SPACING.
- 11. MECHANICAL:  
 INSERTION FORCE PER POLE MAX 2N (MAX .450 lbf)  
 WITHDRAWAL FORCE PER POLE MIN 1.2N (MAX .270 lbf)  
 RECOMMENDED/HIGHEST TIGHTENING TORQUE 0.5/0.6 Nm (4.42/5.30 lbf in)  
 WIRE STRIPPING LENGTH 4 TO 6 mm (.16 TO .24 in)  
 OPERATING TEMPRATURE RANGE -40°C TO +110°C (-40°F TO +230°F)
- 12. ELECTRICAL:  
 RATED VOLTAGE : 300 V  
 RATED CURRENT 12 A  
 WIRE SIZE RANGE : 14-30 AWG  
 CONTACT RESISTANCE <15 mΩ  
 INSULATION RESISTANCE >1000M Ω (500V DC)



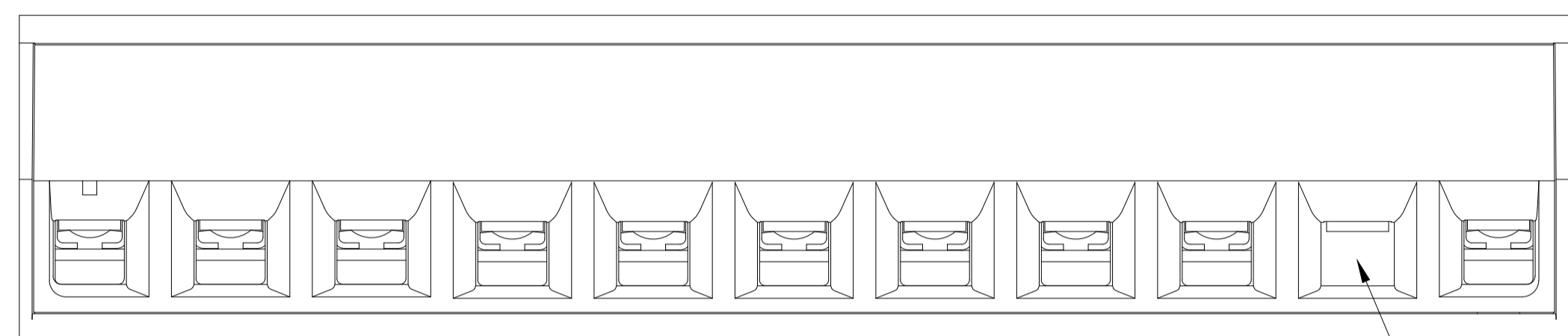
MARKING	MATERIAL	THICKNESS	WIDTH	LENGTH	PART NUMBER
9	TIN	-	20	4	3-282830-8
6	TIN	-	15	3	3-282830-7
	0.254um GOLD	-	10	2	3-282830-6
8	TIN	-	30	6	3-282830-5
8	TIN	-	15	3	3-282830-4
9	TIN	-	10	2	3-282830-3
6	TIN	-	45	9	3-282830-2
6	TIN	-	30	6	3-282830-1
6	TIN	-	125	3	3-282830-0
	GOLD	-	15	3	2-282830-9
	TIN	1, 3 THRU 11	55	10	2-282830-8
	TIN	1 THRU 9, 11	55	10	2-282830-7
	TIN	-	125	25	2-282830-6
	TIN	-	120	24	2-282830-5
	TIN	-	115	23	2-282830-4
	TIN	-	110	22	2-282830-3
	TIN	-	105	21	2-282830-2
	TIN	-	100	20	2-282830-1
	TIN	-	95	19	2-282830-0
	TIN	-	90	18	1-282830-9
	TIN	-	85	17	1-282830-8
	TIN	-	80	16	1-282830-7
	TIN	-	75	15	1-282830-6
	TIN	-	70	14	1-282830-5
6	TIN	-	65	13	1-282830-4
	TIN	-	20	4	1-282830-3
	TIN	-	60	12	1-282830-2
	TIN	-	55	11	1-282830-1
	TIN	-	50	10	1-282830-0
	TIN	-	45	9	282830-9
	TIN	-	40	8	282830-8
	TIN	-	35	7	282830-7
	TIN	-	30	6	282830-6
	TIN	-	25	5	282830-5
	TIN	-	20	4	282830-4
	TIN	-	15	3	282830-3
	TIN	-	10	2	282830-2

REMARKS	CONTACT PLATING	SELECT LOADED	A	NO OF POSN	PART NUMBER

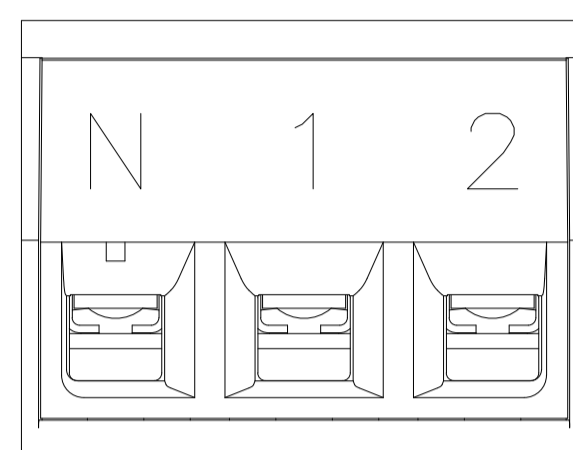
  

THIS DRAWING IS A CONTROLLED DOCUMENT.		DWG: S SCHLEGEL 28AUG2009		TE Connectivity	
DIMENSIONS: mm		CHK: C RICHARD 8/28/09		NAME: TERMINAL BLOCK PLUG 90/180 DEGREE, STRIGHT SIDE STACKABLE, 5.0mm PITCH	
TOLERANCES UNLESS OTHERWISE SPECIFIED:		APP'D: C RICHARD 8/28/09		PRODUCT SPEC: -	
0 PLC ± -		MATERIAL: -		APPLICATION SPEC: -	
1 PLC ± 0.2		WEIGHT: -		SIZE: A1	
2 PLC ± 0.15		FINISH: -		CAGE CODE: 00779	
3 PLC ± -		CUSTOMER DRAWING		DRAWING NO: 282830	
4 PLC ± -		SCALE: 4:1		SHEET 1 OF 2	
ANGLES ± °		REV: L6			

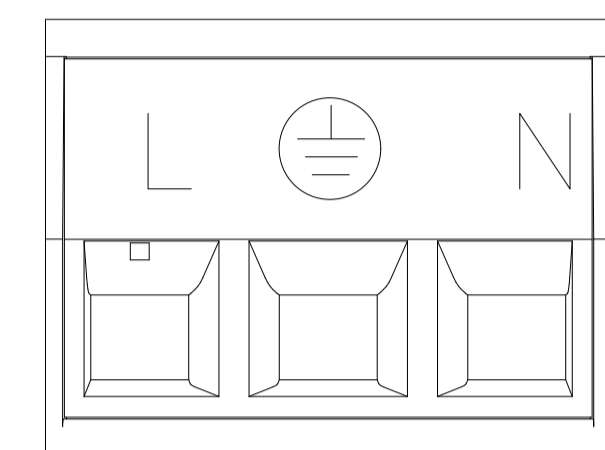
REVISIONS				
REV	DATE	DESCRIPTION	BY	APP'D
-	-	SEE SHEET 1	-	-



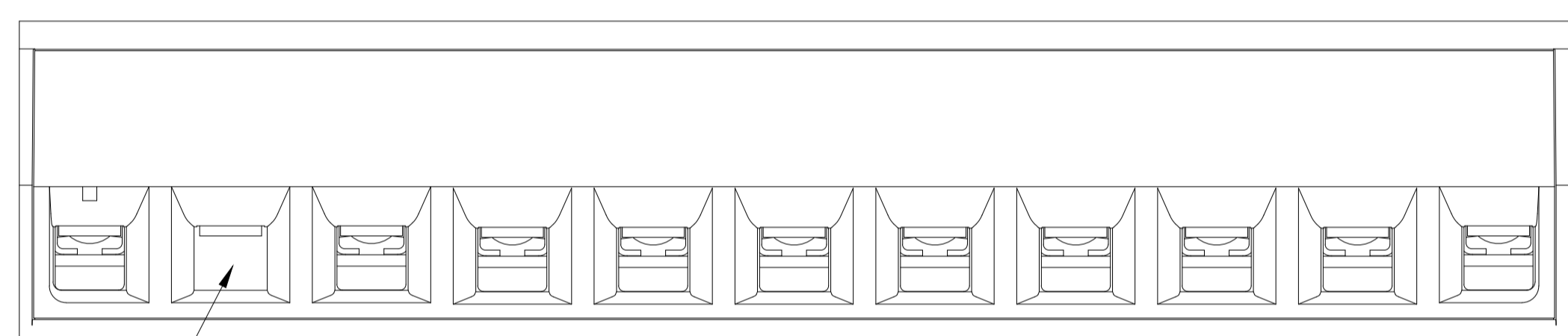
2-282830-7



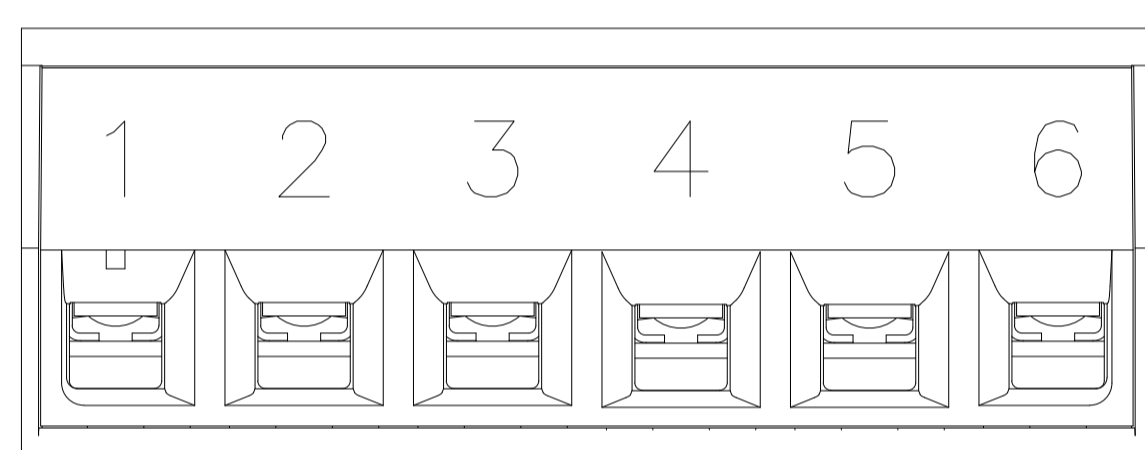
3-282830-0



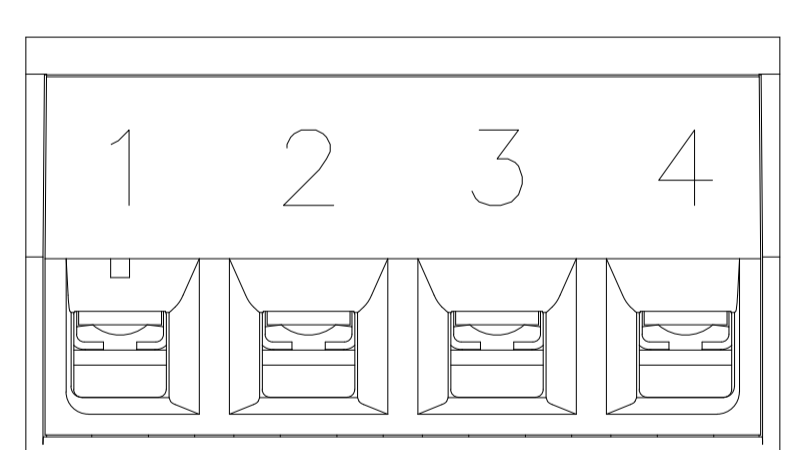
3-282830-7



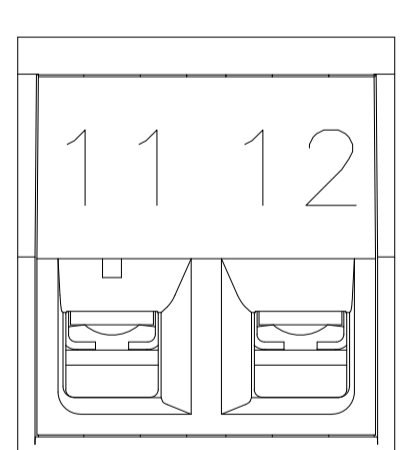
2-282830-8



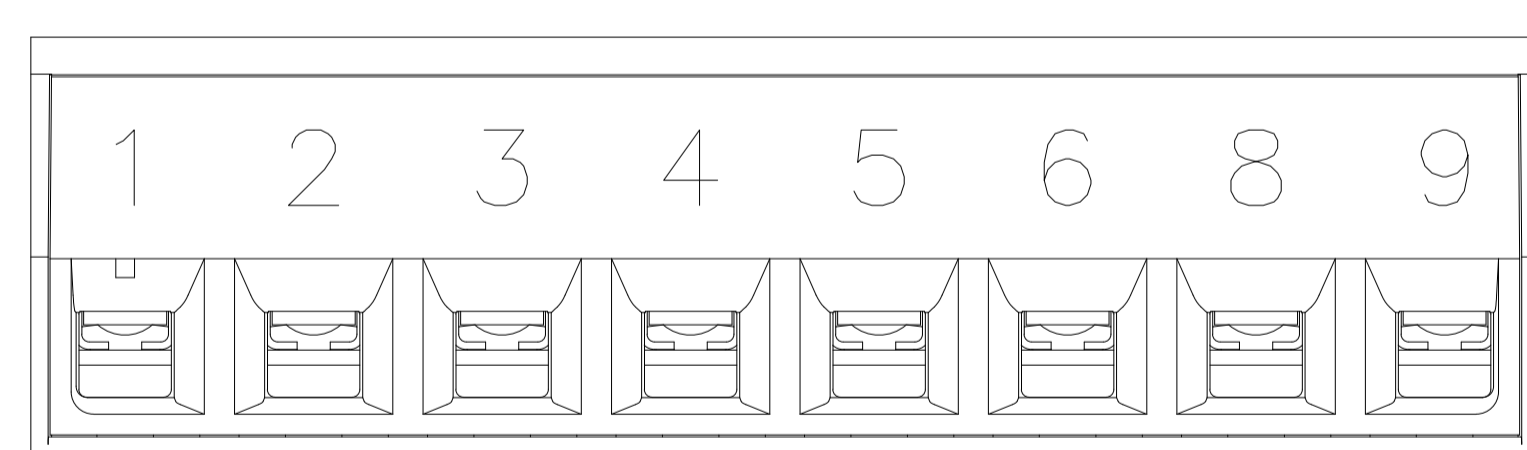
3-282830-1



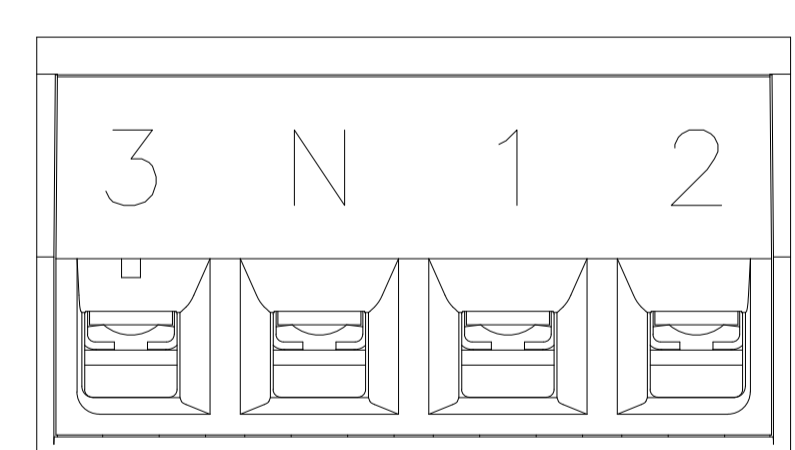
1-282830-3



3-282830-3



3-282830-2



3-282830-8

THIS DRAWING IS A CONTROLLED DOCUMENT.

DIMENSIONS: mm	TOLERANCES UNLESS OTHERWISE SPECIFIED: 0 PLC ± - 1 PLC ± 0.2 2 PLC ± 0.15 3 PLC ± - 4 PLC ± - ANGLES ± ° FINISH	DWG: S SCHLEGEL 28AUG2009 CHK: C RICHARD 8/28/09 APP'D: C RICHARD 8/25/09	TE Connectivity
		NAME: RICHARD	TERMINAL BLOCK PLUG 90/180 DEGREE STRIGHT SIDE STACKABLE, 5.0mm PITCH
MATERIAL	RESTRICTED TO	SIZE: A1	CAGE CODE: 00779
CUSTOMER DRAWING	SCALE: 4:1	SHEET: 2 OF 2	REV: L6