

THIS DRAWING IS UNPUBLISHED.
 © COPYRIGHT - By -
 RELEASED FOR PUBLICATION
 ALL RIGHTS RESERVED.

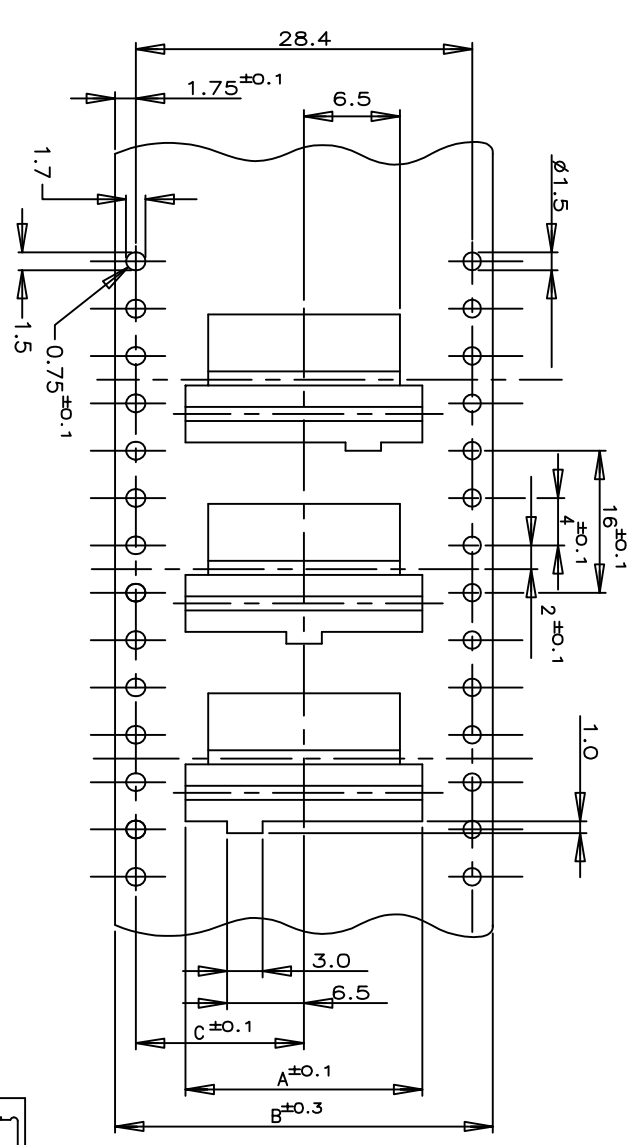
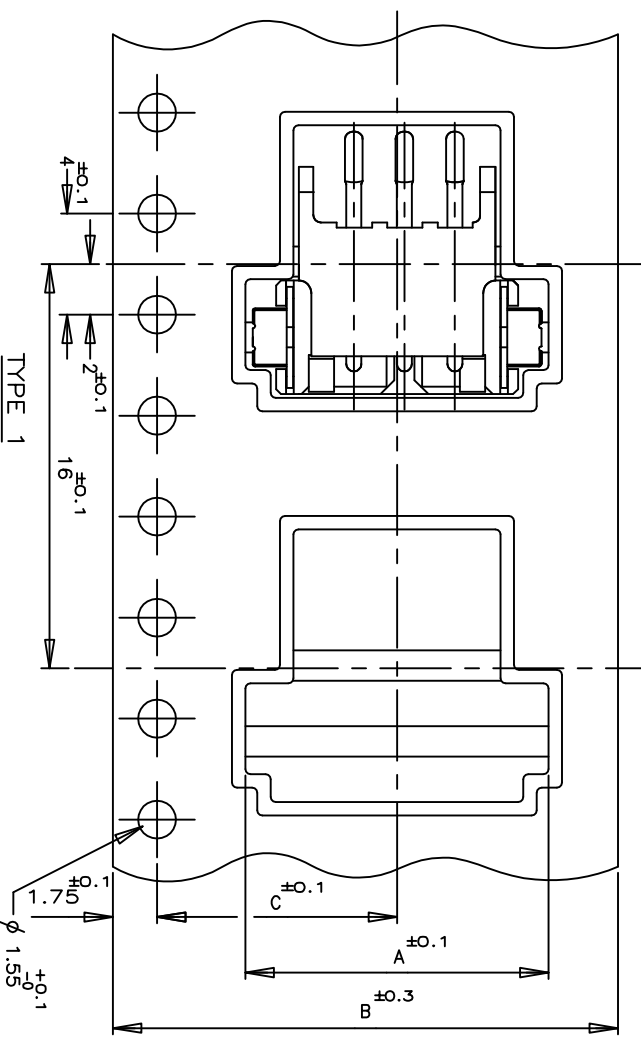
Loc ES DIST 00

REVISIONS

P	LTR	DESCRIPTION	DATE	DWN	APVD
C3		REVISED ECR-11-021545	24OCT11		C.Z S.Y

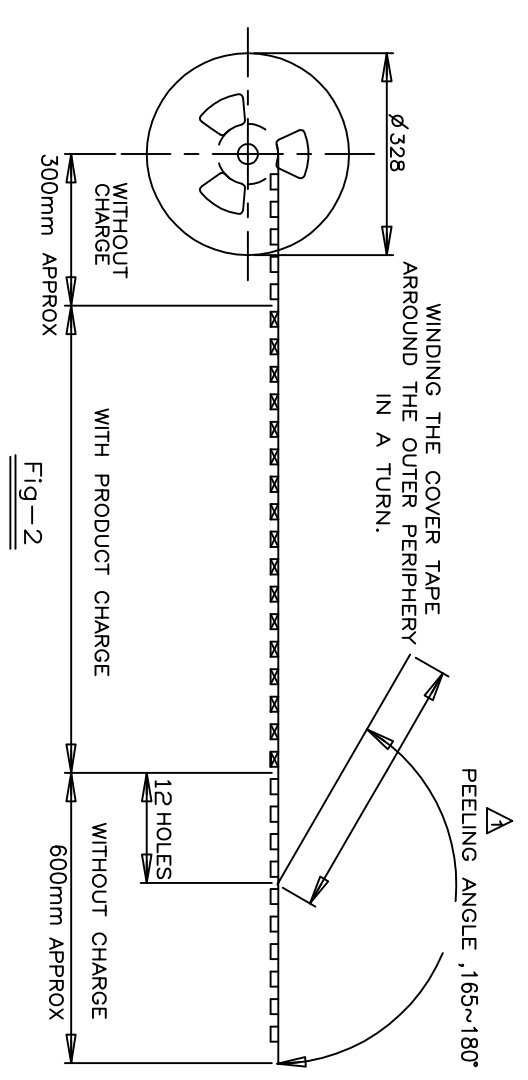
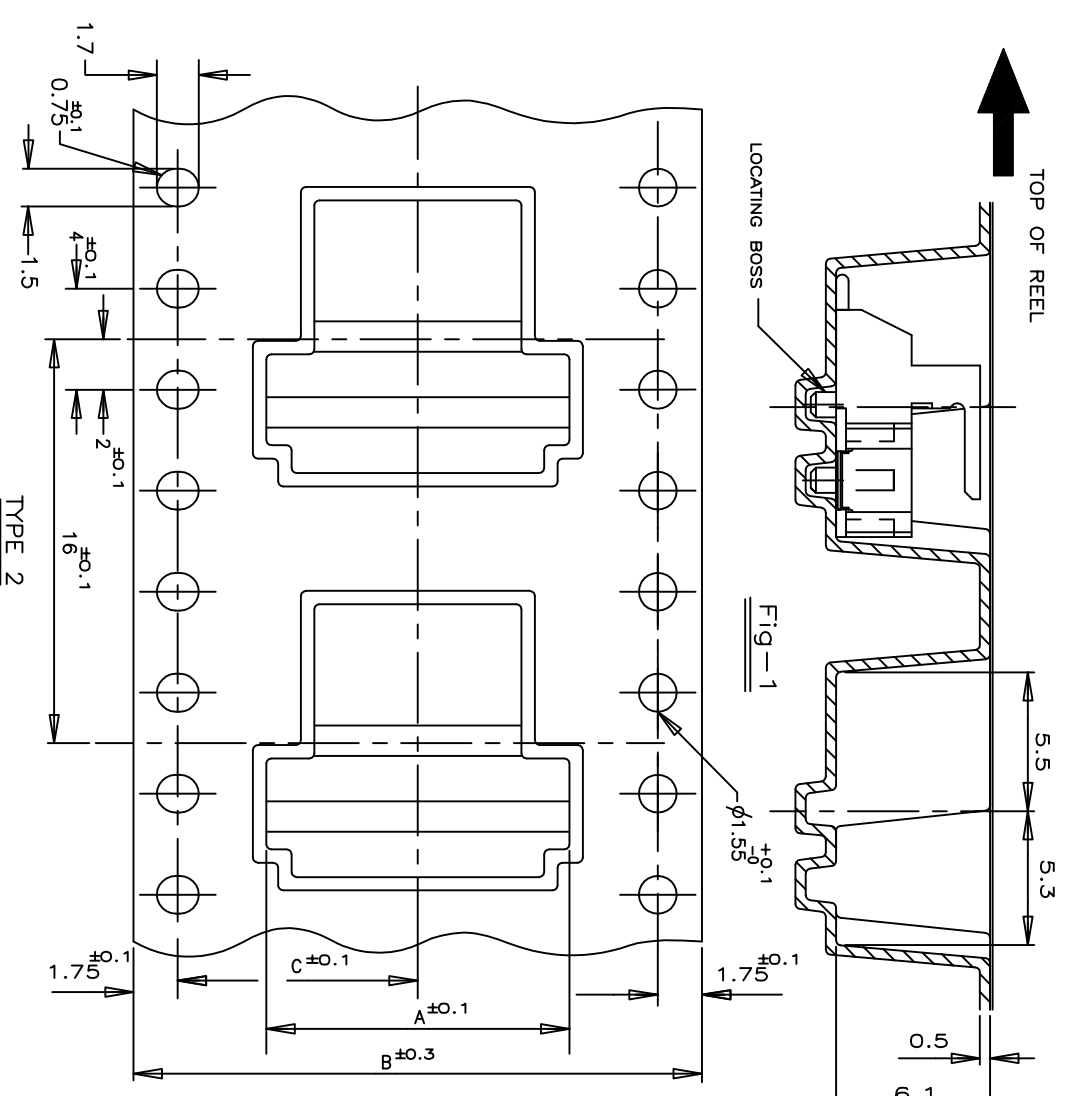
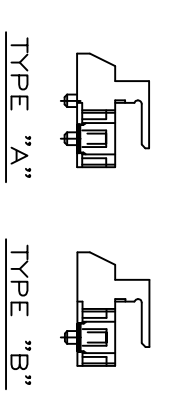
TE CT CONNECTOR POST HEADER ASS'Y
 (BOX-H SMT TYPE W/BOSS & TAIL)

DATE	DWN	APVD
24OCT11		C.Z S.Y



(AS SHOWN : 3P)

TYPE 3 FOR 7P ONLY
 THREE KINDS OF DIFFERENT POCKETS AS 1 SET
 USED FOR 7P ONLY



COLOR	BLACK				NATURAL			
	WITH	TAPE TYPE	TYPE OF BOSS	QTY/REEL	WITH	TAPE TYPE	TYPE OF BOSS	QTY/REEL
TYPE 2	B	20.2	44	24	500	9	1-292173-9	-8
	B	20.2	44	22	8	1-	-7	
TYPE 3	B	14.2	32	20	7	1-	-6	
	B	14.2	32	18	6	1-	-5	
TYPE 2	B	11.5	24	16	5	1-	-4	
	B	11.5	24	10	3	1-	-3	
TYPE 1	A	11.5	24	10	2	1-	-2	
	B	20.2	44	24	9	0-	-9	
TYPE 2	B	20.2	44	22	8	0-	-8	
	B	14.2	32	20	7	0-	-7	
TYPE 3	B	14.2	32	18	6	0-	-6	
	B	11.5	24	16	5	0-	-5	
TYPE 2	B	11.5	24	16	4	0-	-4	
	B	11.5	24	12	3	0-	-3	

TYPE 2

NOTES:

▲ PEELING RESISTANCE : 0.196N-0.686N (20gf-70gf)
 SPEED : 300mm/min

TOLERANCE UNLESS OTHERWISE SPECIFIED:
 10> ±0.2
 30> ±0.25
 100> ±0.3
 ANGLE ±3'

THIS DRAWING IS A CONTROLLED DOCUMENT.

DIMENSIONS: MM	TOLERANCES UNLESS OTHERWISE SPECIFIED:
0 PLC ±	1 PLC ±
1 PLC ±	2 PLC ±
2 PLC ±	3 PLC ±
3 PLC ±	4 PLC ±
4 PLC ±	ANGLES ±
MATERIAL	FINISH ±



TE Connectivity

ON TAPING (EMBOSS)

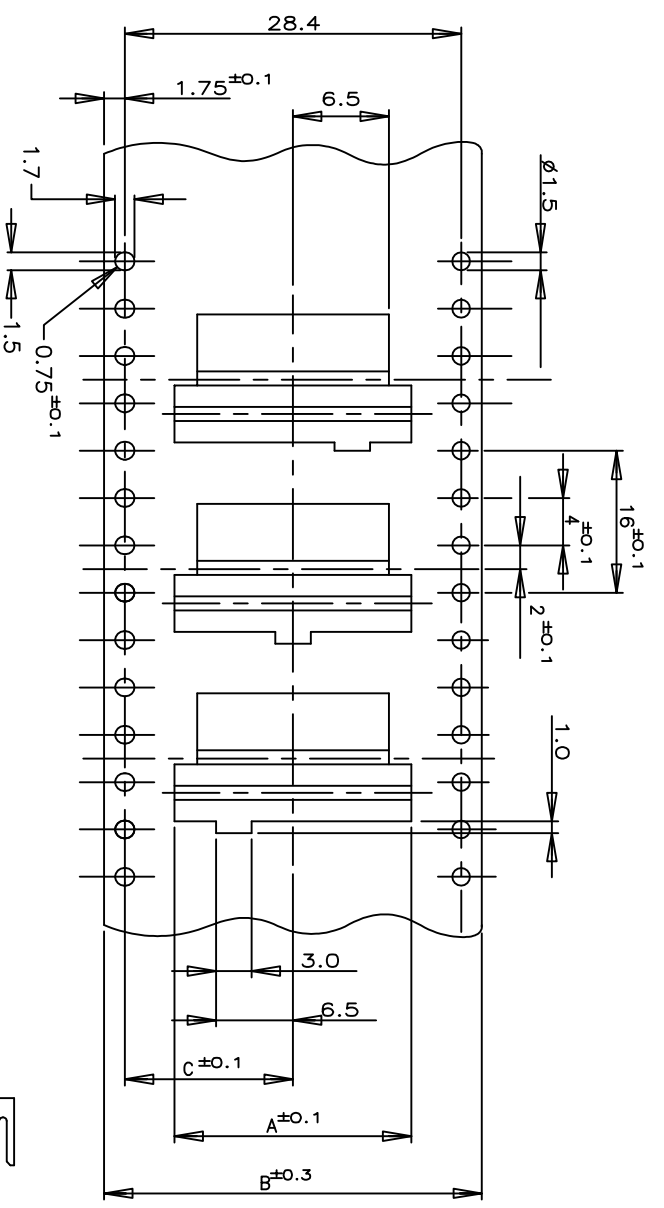
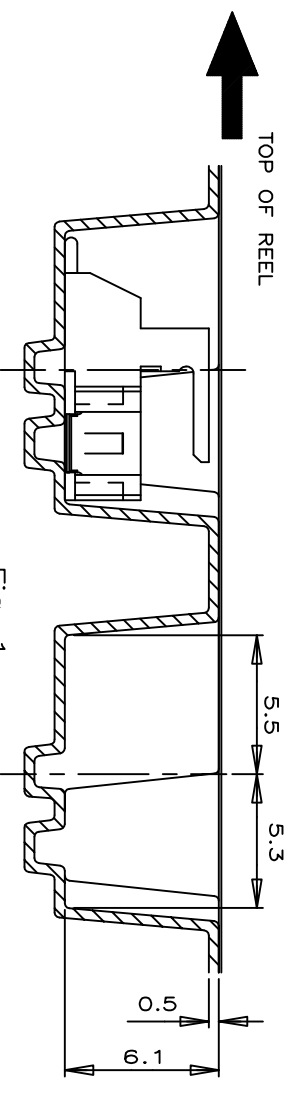
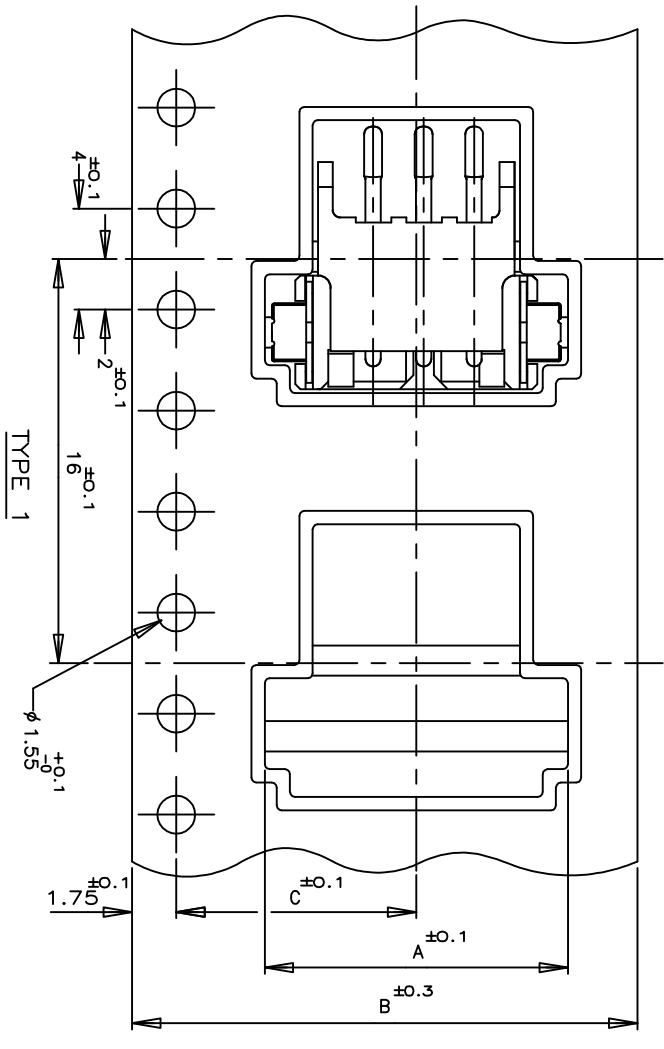
TE CT CONNECTOR POST HEADER ASS'Y
 (BOX-H SMT TYPE W/BOSS & TAIL)

APVD STEVEN YAO
 PRODUCT SPEC
 APPLICATION SPEC
 WEIGHT
 CUSTOMER DRAWING
 SIZE A3
 CAGE CODE 00779
 DRAWING NO. 292173
 SCALE 1/1
 SHEET 1 OF 6
 REV C3

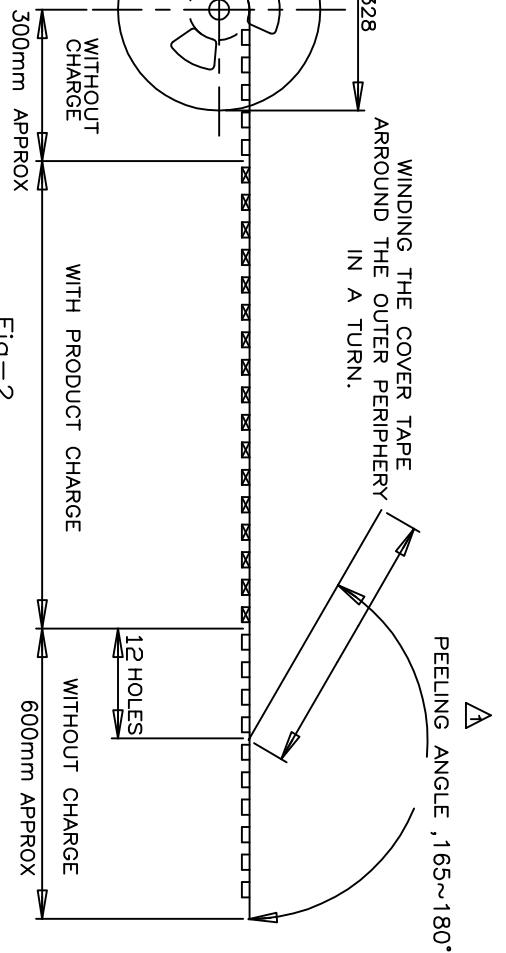
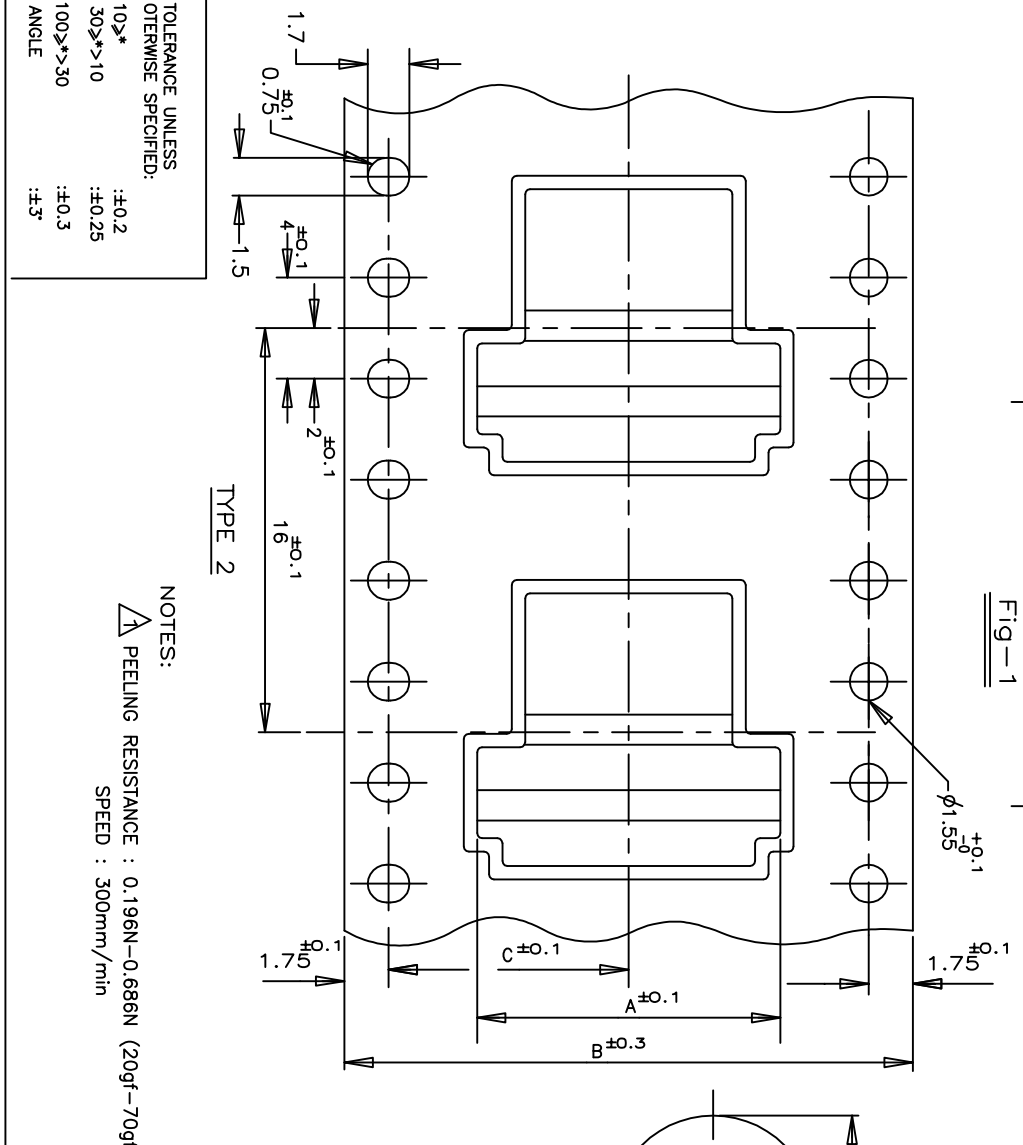
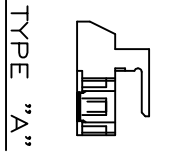
THIS DRAWING IS UNPUBLISHED. RELEASED FOR PUBLICATION. ALL RIGHTS RESERVED.

THIS DRAWING IS A CONTROLLED DOCUMENT.

Loc	DIST	REVISIONS		DATE	DWN	APVD
ES 00	00	P	DESCRIPTION			
		LTR	SEE SHEET 1			



TYPE 3 FOR 7P ONLY
THREE KINDS OF DIFFERENT POCKETS AS 1 SET
USED FOR 7P ONLY



COLOR	BLACK				NATURAL			
	WITH	TYPE 2	TYPE 3	TYPE 1	WITH	TYPE 2	TYPE 3	TYPE 1
	A	20.2	44	24	500	9	3-292173-9	-8
	A	20.2	44	22	500	8	3-292173-8	-7
	A	14.2	32	20	500	7	3-292173-7	-6
	A	14.2	32	18	500	6	3-292173-6	-5
	A	11.5	24	16	500	5	3-292173-5	-4
	A	11.5	24	14	500	4	3-292173-4	-3
	A	11.5	24	10	500	3	3-292173-3	-2
	A	20.2	44	24	500	9	3-292173-9	-8
	A	20.2	44	22	500	8	3-292173-8	-7
	A	14.2	32	20	500	7	3-292173-7	-6
	A	14.2	32	18	500	6	3-292173-6	-5
	A	11.5	24	16	500	5	3-292173-5	-4
	A	11.5	24	14	500	4	3-292173-4	-3
	A	11.5	24	10	500	3	3-292173-3	-2

DIMENSIONS: MM		TOLERANCES UNLESS OTHERWISE SPECIFIED:		NAME	
0 PLC	±	APVD	TE CT Connector	ON TAPING (EMBOSS)	
1 PLC	±	PRODUCT SPEC		(BOX-H SMT TYPE W/O BOSS & W/ TAIL)	
2 PLC	±	APPLICATION SPEC		DRAWING NO: 292173	
3 PLC	±	WEIGHT		SCALE: 1:1	
4 PLC ANGLES	±	CUSTOMER DRAWING		SHEET 2 OF 6	
MATERIAL				REV C3	

TOLERANCE UNLESS OTHERWISE SPECIFIED:

10>* ±0.2

30>*±>10 ±0.25

100>*±>30 ±0.3

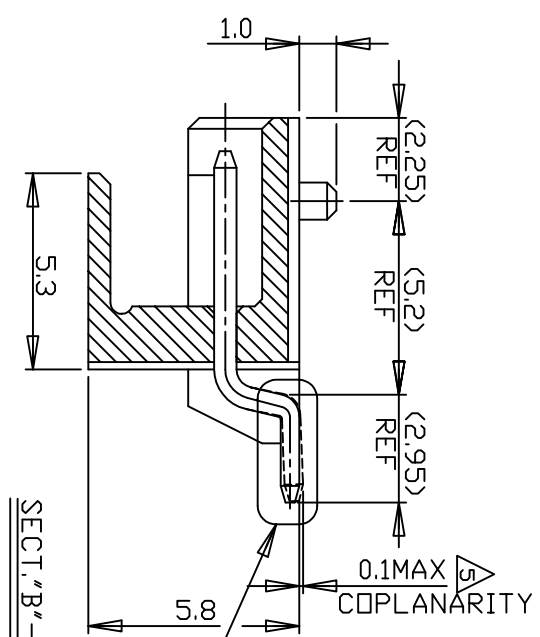
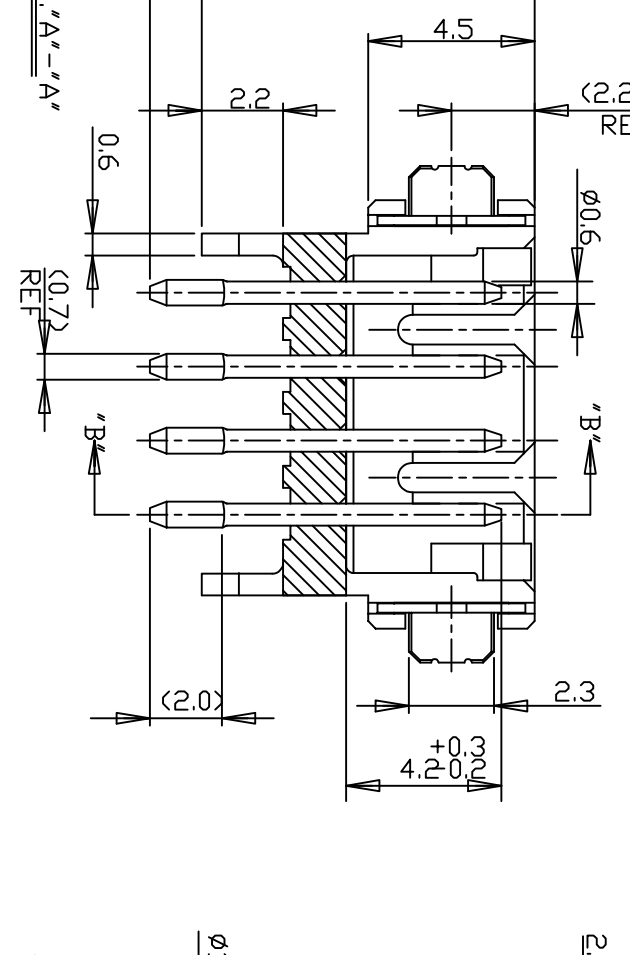
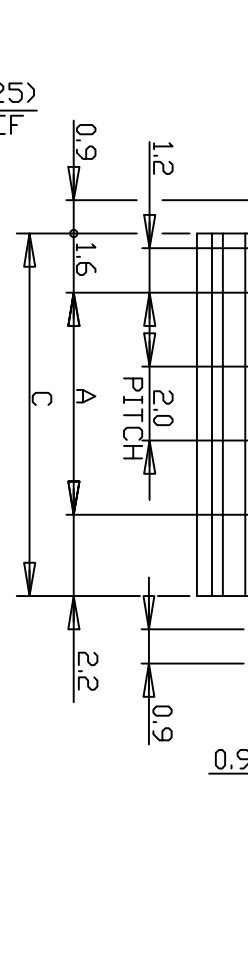
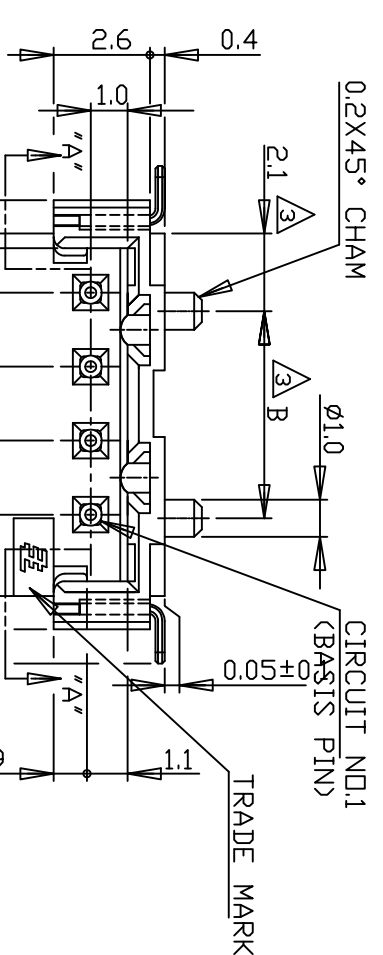
ANGLE ±.3°

NOTES:

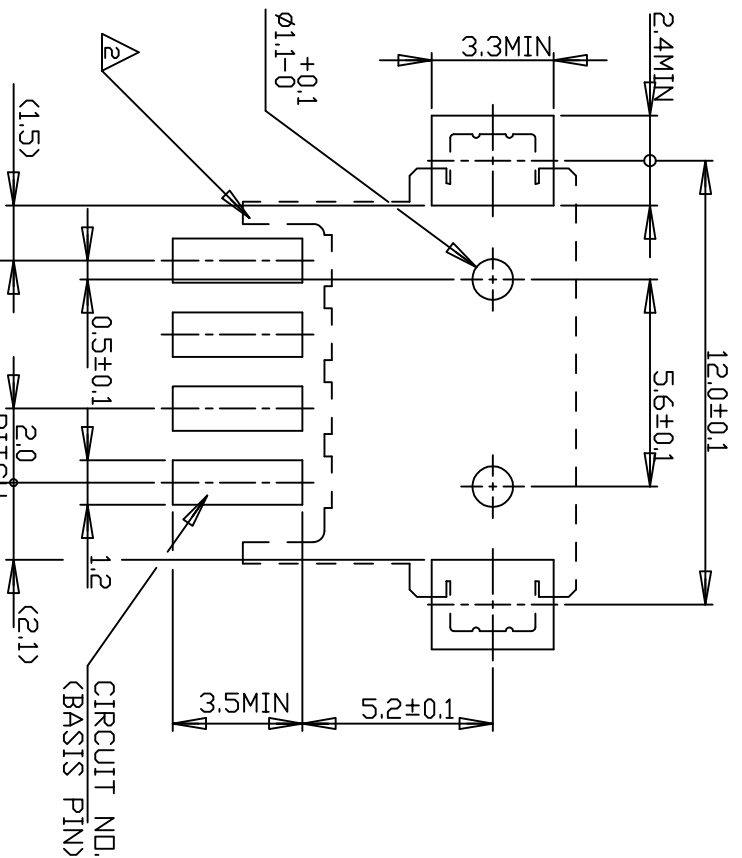
△ PEELING RESISTANCE : 0.196N-0.686N (20gf-70gf)

SPEED : 300mm/min

REVISIONS			DATE	DWN	APVD
ES	00				
P	LTR	DESCRIPTION			
-		SEE SHEET 1			



NOTES:
 1. MATERIAL:HSG-6T PKG.F.30%KUL94V-0)
 COLOR:BLACK,NATURAL
 POST: TIN BRASS
 TAIL: TIN BRASS
 OCCUPANT AREA DN PC BOARD
 4P&ABOVE POS.
 2P&3P
 TO BE MEASURED WITH CONNECTOR PLACED
 ON HORIZONTAL DATUM SURFACE,FLD OF
 SOLDER TINE AND TAIL FRDM DATUM
 SURFACE IS 0.1mm MAX



NO ACCUMULATED TOLERANCE
 RECOMMENDED P.C.B. BOARD LAYOUT
 (P.C.B. THK:0.8mm MIN)

A	B	C	D	POS.	NATURAL	BLACK
16.0	15.6	19.8	22.0	9	1-292173-9	292173-9
14.0	13.6	17.8	20.0	8	1-8	1-8
12.0	11.6	15.8	18.0	7	1-7	1-7
10.0	9.6	13.8	16.0	6	1-6	1-6
8.0	7.6	11.8	14.0	5	1-5	1-5
6.0	5.6	9.8	11.8	4	1-4	1-4
4.0	4.0	7.8	9.8	3	1-3	1-3
2.0	2.0	5.8	7.8	2	1-292173-2	292173-2

STE TE Connectivity

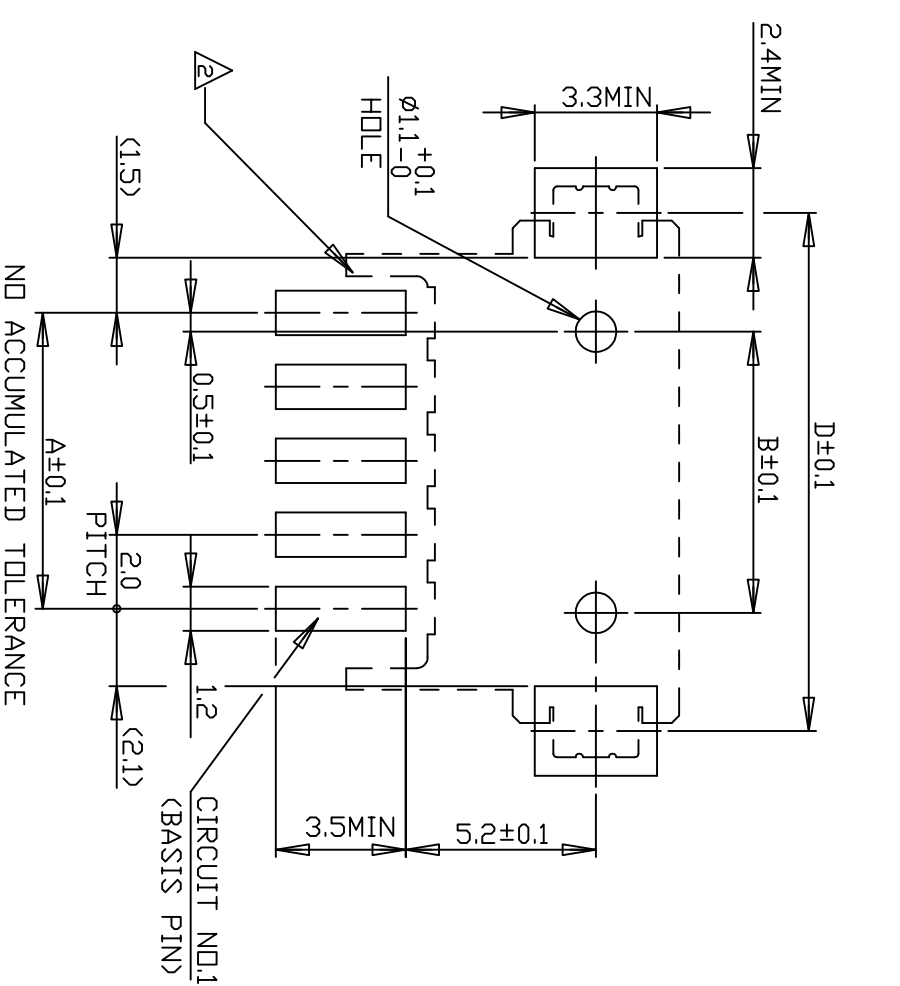
SMT TYPE POST HDR ASSY (H)
 WITH BOSS & TAIL TYPE
 (TE CT CONN. 2mm PITCH)

THIS DRAWING IS A CONTROLLED DOCUMENT.	DIMENSIONS: MM	TOLERANCES UNLESS OTHERWISE SPECIFIED:	FINISH	APVD	NAME			
		0 PLC ±	1 PLC ±	2 PLC ±	3 PLC ±	4 PLC ±	APVD	NAME
		10>* ±0.2	30>* >10 ±0.25	100.* >30 ±0.3	ANGEL ±3°			

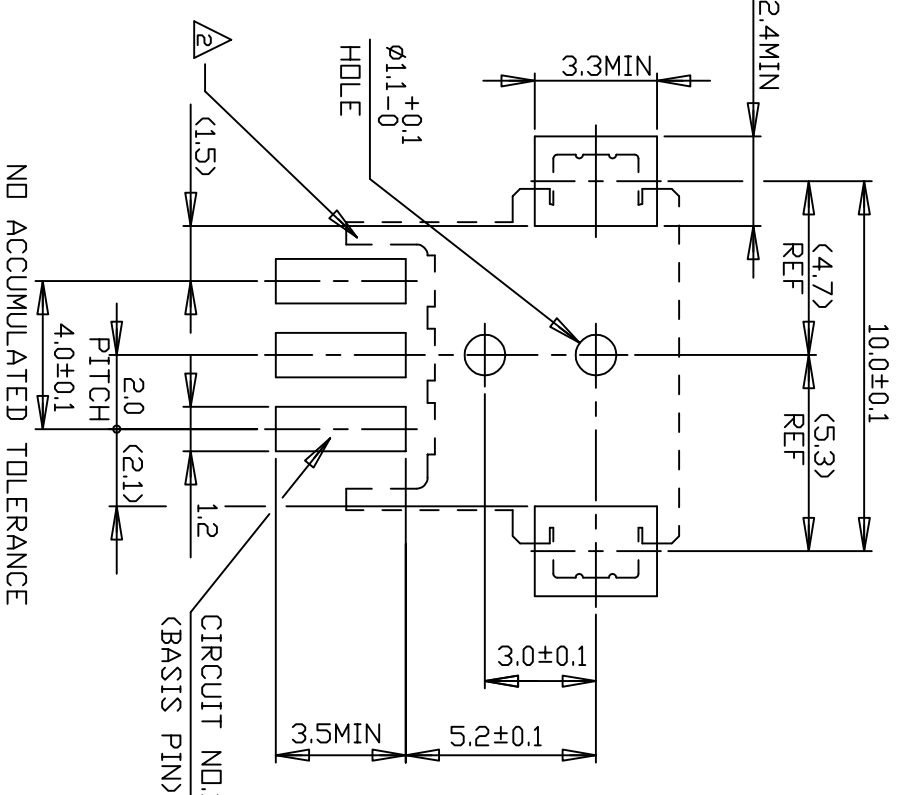
CUSTOMER DRAWING	SCALE	SHEET	REV
	5:1	3 OF 6	C3

Loc	DIST	REVISIONS	DATE	DWN	APVD
ES	00				
P	LTR	DESCRIPTION			
-	-	SEE SHEET 1			

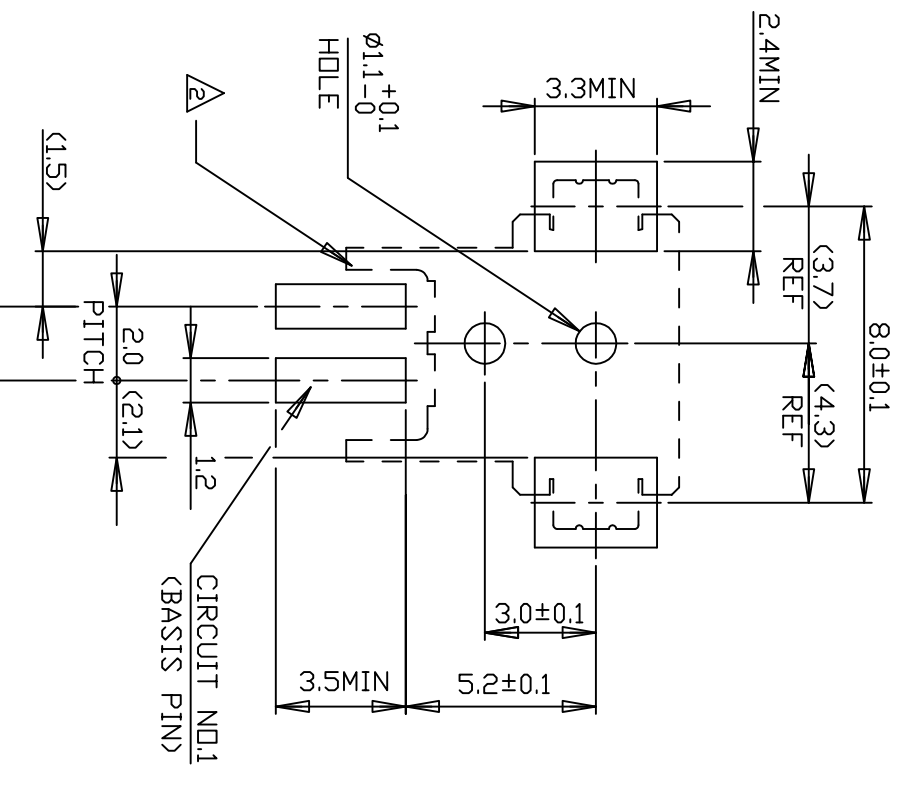
LAYOUT FOR 292173-X,1-292173-X



5 POS. & ABOVE POS.



3 POS.



2 POS.

RECOMMENDED P.C. BOARD LAYOUT
(P.C.B THK:0.8mm MIN)



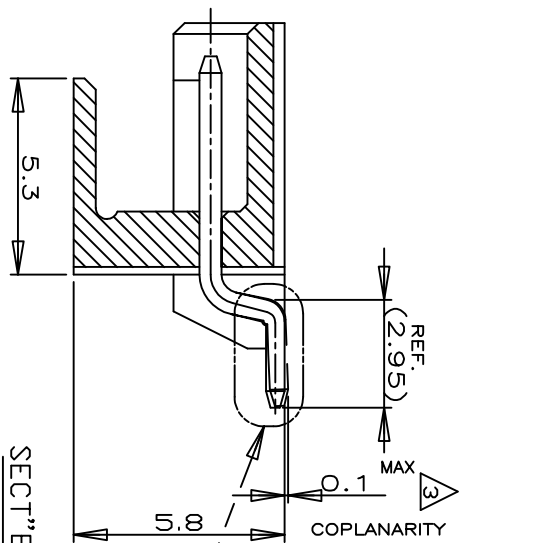
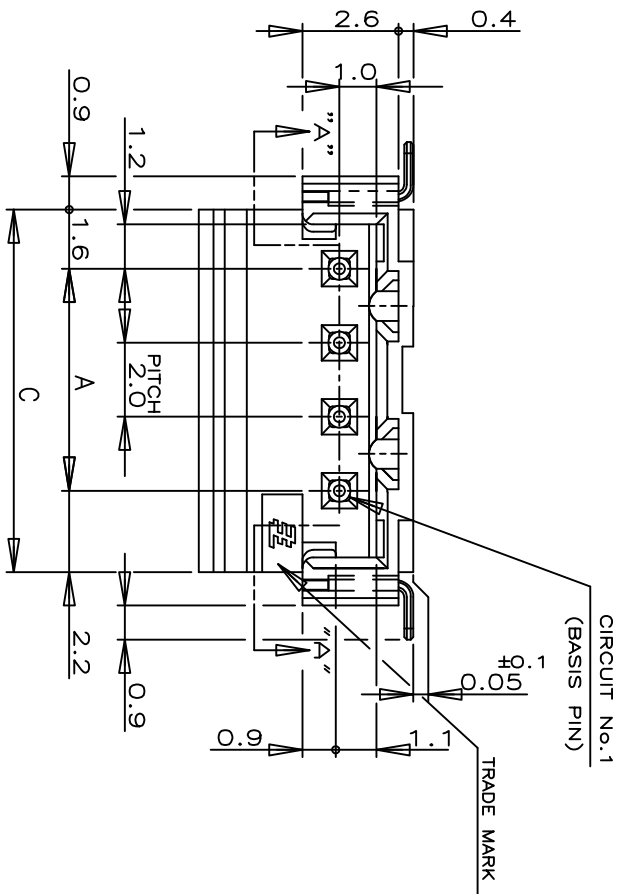
TE Connectivity

SMT TYPE POST HDR ASS'Y (H)
WITH BOSS & TAIL TYPE
(TE CT CONN. 2mm PITCH)

THIS DRAWING IS A CONTROLLED DOCUMENT.		DWN	-	NAME	SMT TYPE POST HDR ASS'Y (H) WITH BOSS & TAIL TYPE (TE CT CONN. 2mm PITCH)		
DIMENSIONS: MM		CHK	-	APVD	SIZE	A3	RESTRICTED TO
TOLERANCES UNLESS OTHERWISE SPECIFIED:		PRODUCT SPEC	-	APPLICATION SPEC	CAGE CODE	00779	
0	PLC	±	-	WEIGHT	DRAWING NO	292173	
1	PLC	±	-	CUSTOMER DRAWING			
2	PLC	±	-				
3	PLC	±	-				
4	PLC	±	-				
FINISH							
MATERIAL							

DESCRIPTION	DATE	DWN	APVD
-	-	-	-

(AS SHOWN :4P)



NOTES:

1. MATERIAL : HSG-6T PA(G.F.30%)(UL94V-0)

COLOR:BLACK,NATURAL

POST:TIN BRASS

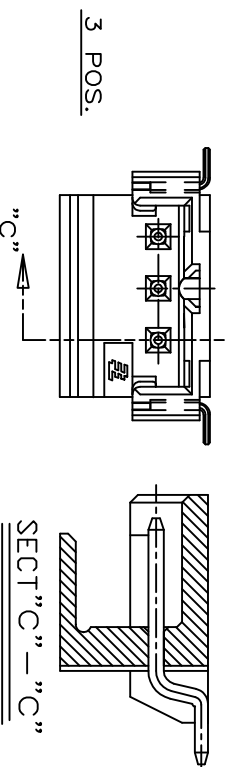
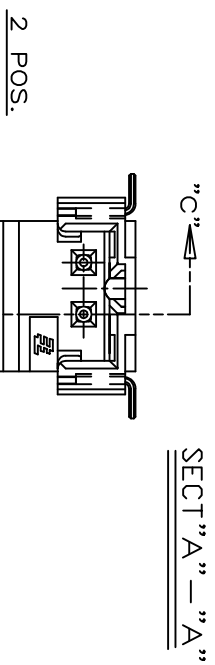
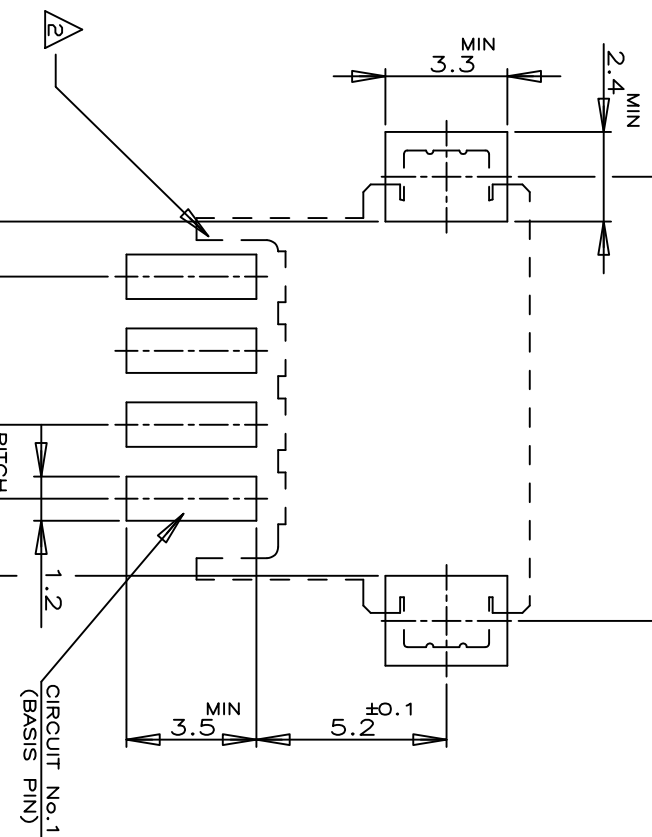
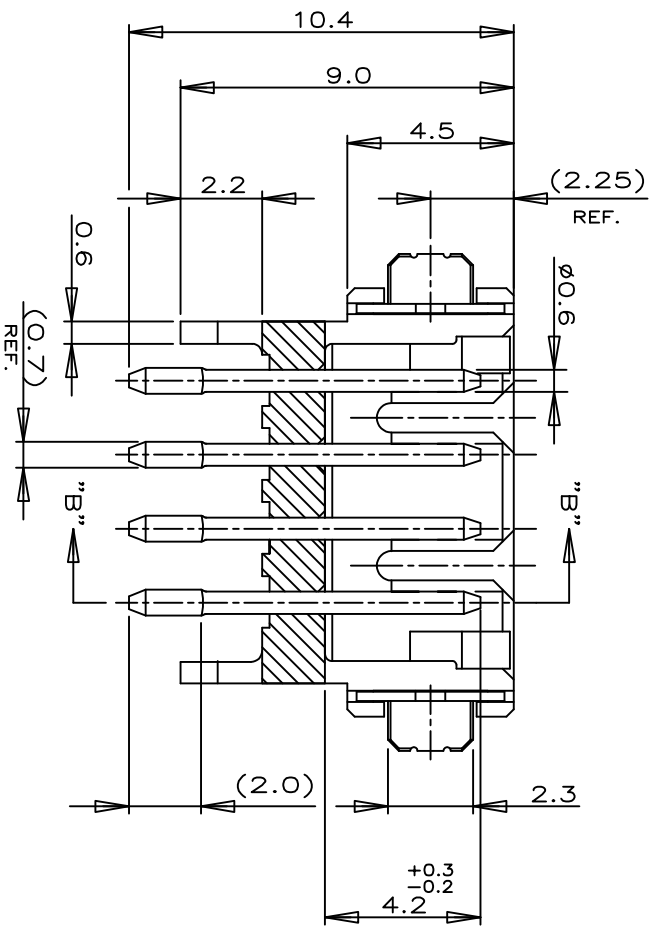
TAIL: TIN BRASS

OCCUPANT AREA ON PC BOARD

TO BE MEASURED WITH CONNECTOR PLACED ON HORIZONTAL DATUM SURFACE,FLOAT OF

SOLDER TINE AND TAIL FROM DATUM

SURFACE IS 0.1mm MAX



RECOMMENDED P.C.BOARD LAYOUT
(P.C.B THK:0.8mm MIN)

SIZE	16.0	19.8	22.0	9	3-292173-9	2-292173-9
A	14.0	17.8	20.0	8	3-8	2-8
B	12.0	15.8	18.0	7	3-7	2-7
C	10.0	13.8	16.0	6	3-6	2-6
D	8.0	11.8	14.0	5	3-5	2-5
	6.0	9.8	11.8	4	3-4	2-4
	4.0	7.8	10.0	3	3-3	2-3
	2.0	5.8	8.0	2	3-292173-2	2-292173-2
A					NATURAL	BLACK

STE TE Connectivity

SMT TYPE POST HDR ASS'Y (BOX-H)
W/O BOSS,WITH TAIL TYPE
(TE CT CONN. 2mm PITCH)

THIS DRAWING IS A CONTROLLED DOCUMENT.

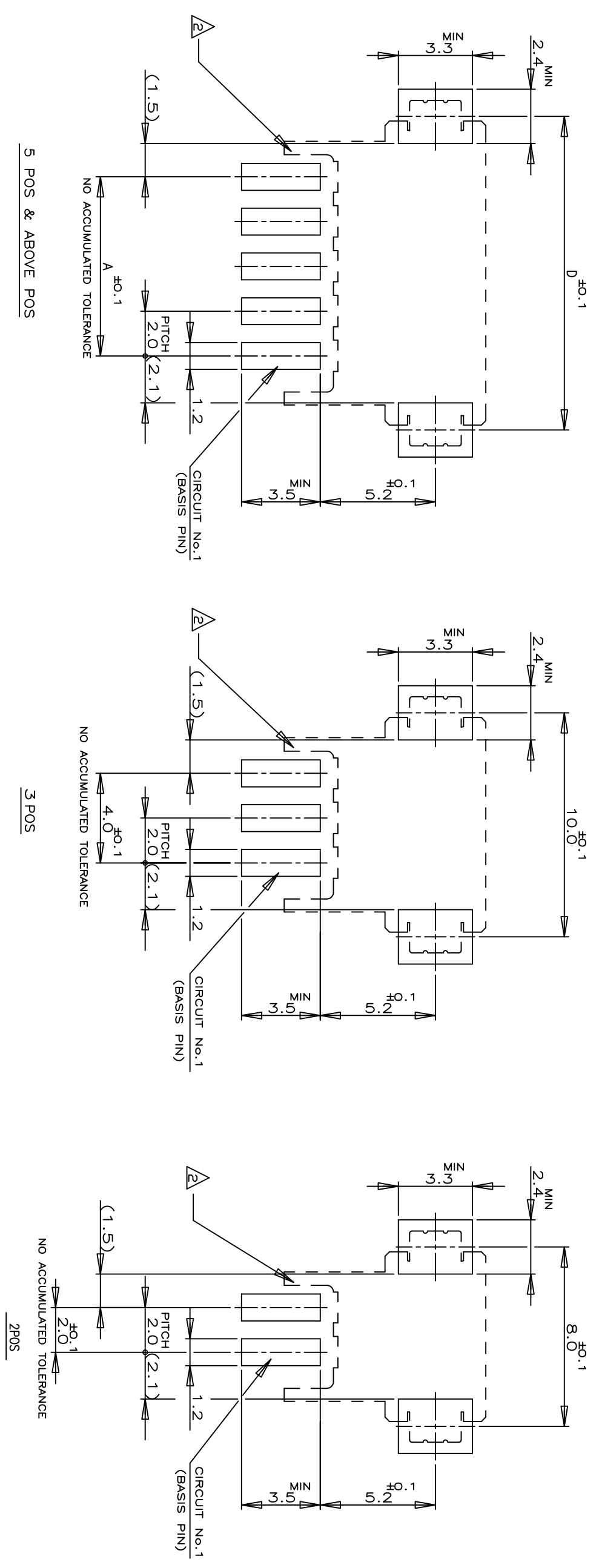
DIMENSIONS: MM	TOLERANCES UNLESS OTHERWISE SPECIFIED:	DMN	CHK	APVD	NAME
					SMT TYPE POST HDR ASS'Y (BOX-H) W/O BOSS,WITH TAIL TYPE (TE CT CONN. 2mm PITCH)
		APVD	CHK	APVD	NAME
					SMT TYPE POST HDR ASS'Y (BOX-H) W/O BOSS,WITH TAIL TYPE (TE CT CONN. 2mm PITCH)
		PRODUCT SPEC	APPLICATION SPEC	WEIGHT	SIZE
		108-60016			A3
		4 P/C ANGLES			CAGE CODE
					00779
					DRAWING NO
					292173
					SCALE
					5:1
					SHEET
					5 OF 6
					REV
					C3

TOLERANCES UNLESS OTHERWISE SPECIFIED:

10>*10	±0.2
30>*10	±0.25
100>*30	±0.3
ANGEL	±3°

LOC	DIST	P	LTR	DESCRIPTION	DATE	DWN	APVD
ES	00	-	-	SEE SHEET 1	-	-	-

LAYOUT FOR 2-292173-X,3-2-292173-X



RECOMMENDED P.C.BOARD LAYOUT
(P.C.B THK:0.8mm MIN)

THIS DRAWING IS A CONTROLLED DOCUMENT.		DWN		NAME	
DIMENSIONS: MM		CHK		SMT TYPE POST HDR ASS'Y (H) W/O, WITH TAIL TYPE (TE CT CONN. 2mm PITCH)	
TOLERANCES UNLESS OTHERWISE SPECIFIED:		APVD		SIZE	
0 PLC	±	-		A3	
1 PLC	±	-		CAGE CODE	
2 PLC	±	-		00779	
3 PLC	±	-		DRAWING NO	
4 P.C.B ANGLES	±	-		G-292173	
FINISH	±	-		SCALE	
		-		5:1	
MATERIAL		WEIGHT		SHEET	
		-		6 OF 6	
		CUSTOMER DRAWING		REV	
				C3	



TE Connectivity