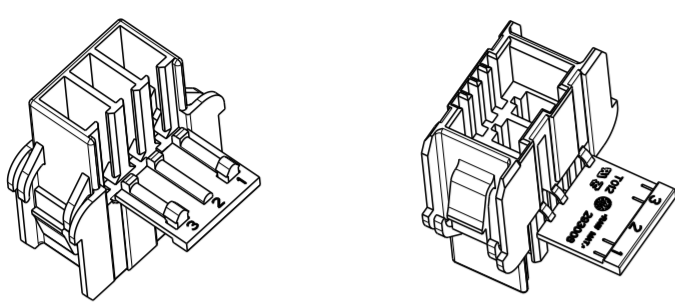
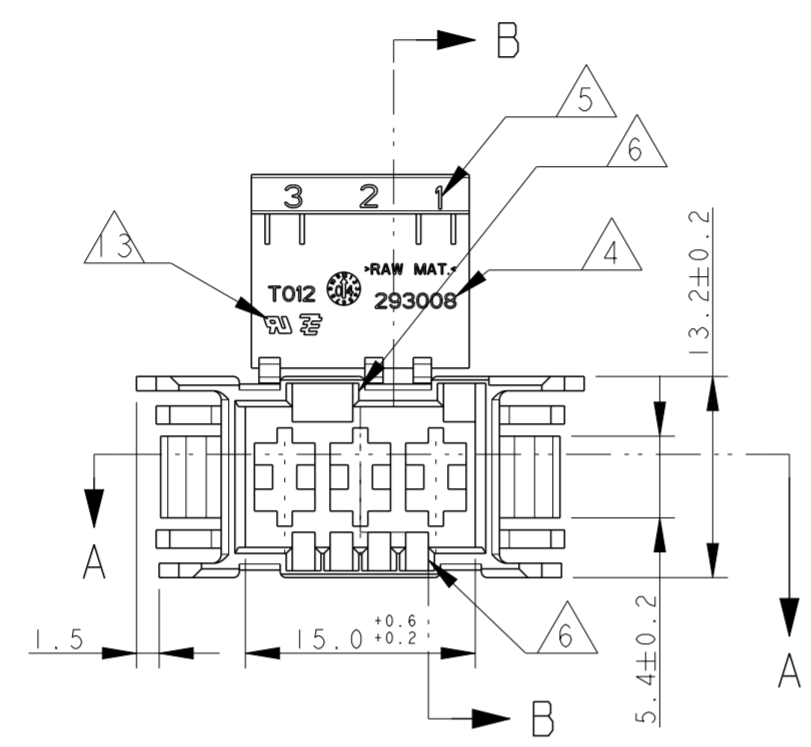


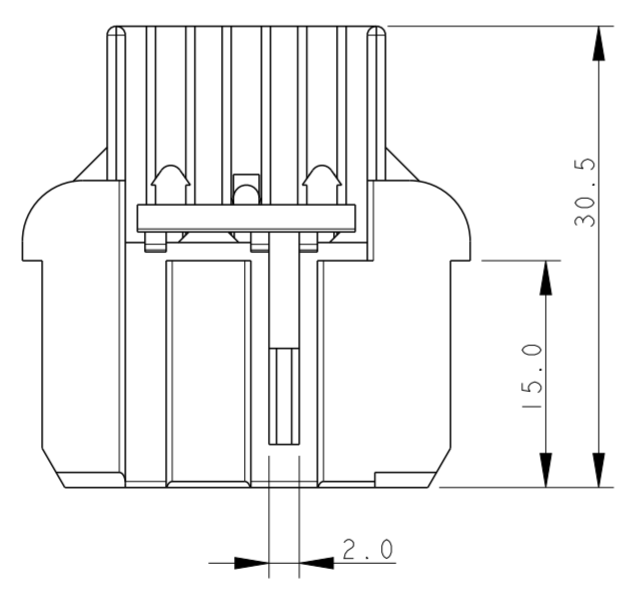
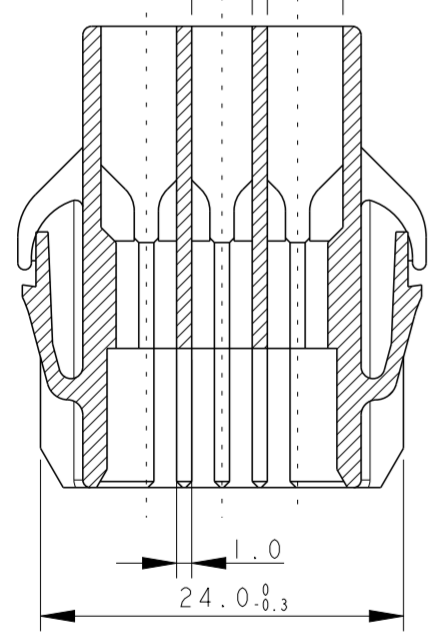
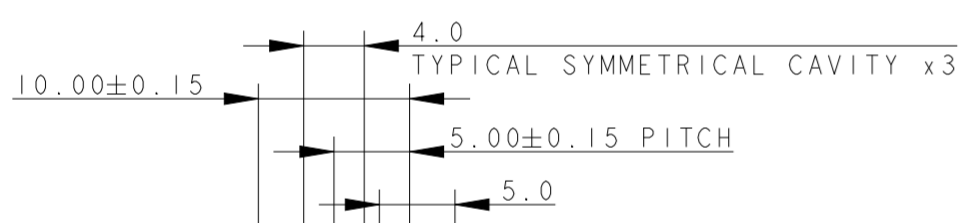
THIS DRAWING IS UNPUBLISHED. RELEASED FOR PUBLICATION 2003
 © COPYRIGHT 2003 BY - ALL RIGHTS RESERVED.



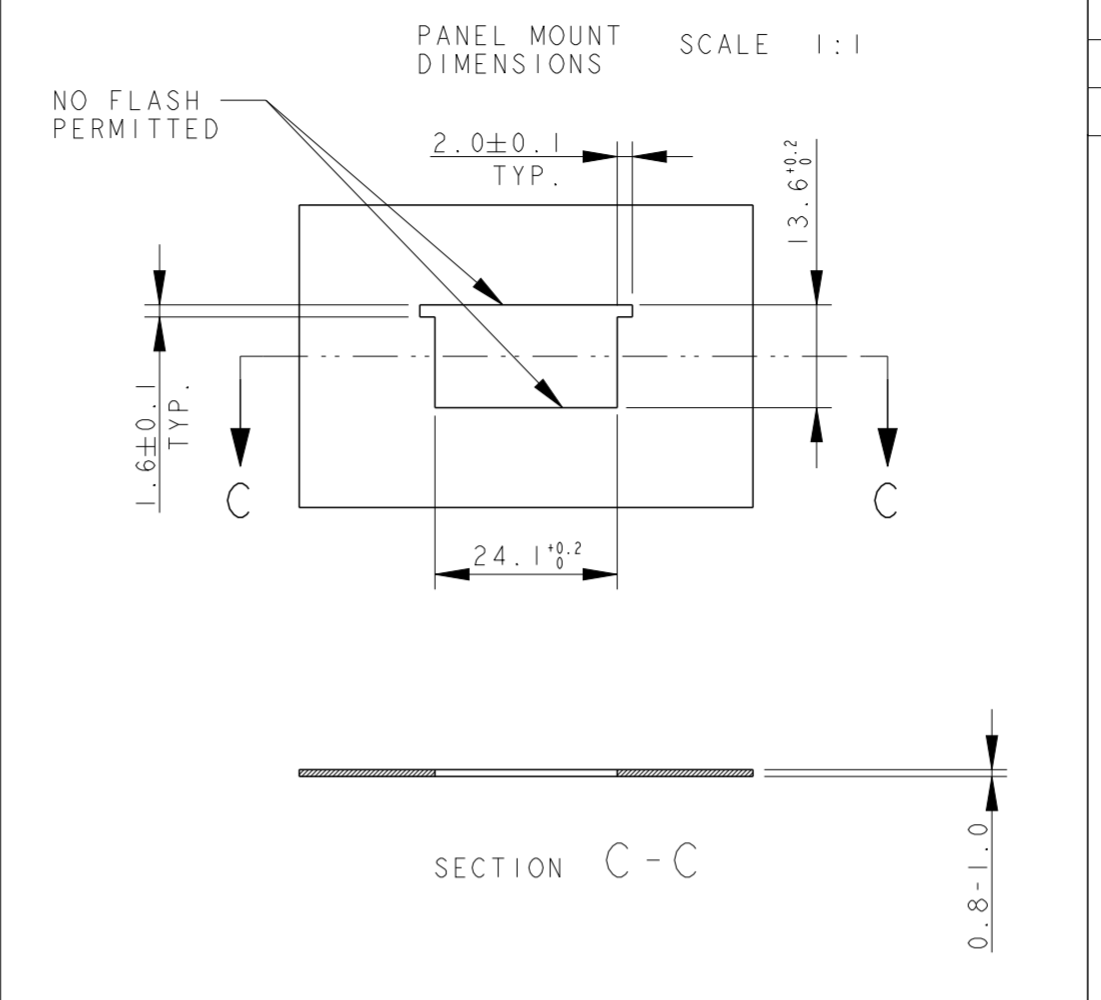
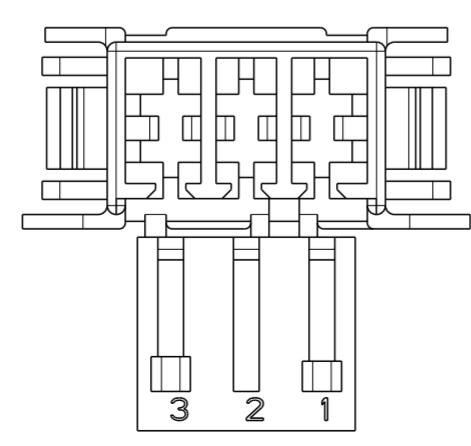
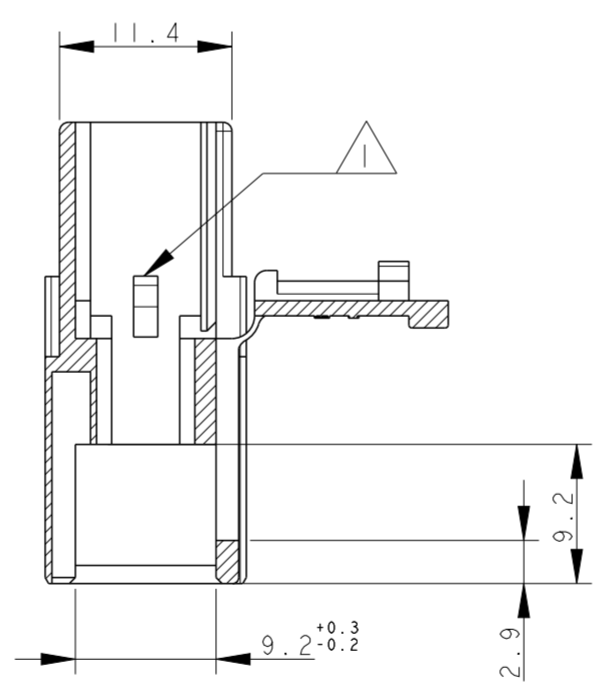
SCALE 1:1



SECTION A-A



SECTION B-B



SECTION C-C

REVISIONS				
P	LTR	DESCRIPTION	DATE	APVD
B12		REVISED PER ECR-16-009157	29JUN2016	BW RS
B13		ECR-16-013951	10OCT2016	KD RR
C		ECR-17-015100	25OCT2017	KD RR
C1		ECR-17-015894	31OCT2017	KD RR

- 1) TYPICAL CAVITY SUITABLE FOR:
 FASTIN-FASTON TAB CONTACTS 6.3 mm SRS:
 P/N: 60294, 0.3-0.8 mm² WIRE RANGE
 160691, 0.3-0.8 mm² WIRE RANGE
 AMPLIVAR CONTACTS:
 P/N: 141051, 0.1-0.5 mm² WIRE RANGE
 142411, 0.3-1.6 mm² WIRE RANGE
 MAX. INSULATION DIA. 2.8 mm,
 MAX. INSULATION CRIMP WIDTH 3.3 mm.
- 2) PA6 UNFILLED, UL 94-V2, NATURE COLOUR
 ACCORDING TO IEC 60335-1 NORM. EDITION 4
- 3) PA66 UNFILLED, UL 94-V2, NATURAL COLOUR
- 4) TRADEMARK "LOGO" AND
 TYCO ELECTRONICS "PART NUMBER"
 OPTIONAL POSITION.
- 5) CIRCUIT IDENTIFICATION NUMBERS, 1 TO 3
- 6) POLARIZATION KEYS DIMENTIONS AND POSITIONS
 ARE ACCORDING TO "RAST 5" NORM
 RAST CODE 03-A & 03-1.
- 7) PA66 UNFILLED, UL 94-V0, NATURAL COLOUR
- 8) PA66 UNFILLED, UL 94-V0 GWT, NATURAL COLOUR
- 9) PRELIMINARY - NOT RELEASED FOR PRODUCTION
- 10) PA66 UNFILLED, UL94-V0 GWT, NATURAL COLOUR
- 11) -
- 12) PA66 UNFILLED, UL94-V0 GWT, BLUE COLOR
- 13) ONLY FOR 293008-3, ADD UL LOGO

BLUE	SEE NOTE 12	9	3-293008-1
NATURAL	SEE NOTE 10	9	2-293008-2
NATURAL	SEE NOTE 10	9	2-293008-1
NATURAL	SEE NOTE 2		1-293008-1
NATURAL	SEE NOTE 10		293008-6
NATURAL	SEE NOTE 8		293008-5
NATURAL	SEE NOTE 7	13	293008-3
NATURAL	SEE NOTE 3		293008-2
NATURAL	SEE NOTE 2		293008-1
COLOUR	MATERIAL		TE P/N

THIS DRAWING IS A CONTROLLED DOCUMENT. DWN 27 FEB 2004
 H. YAALI
 CHK C. TARTARI
 APVD -

DIMENSIONS: mm TOLERANCES UNLESS OTHERWISE SPECIFIED:
 0 PLC ±
 1 PLC ±0.3
 2 PLC ±
 3 PLC ±
 4 PLC ±
 ANGLES ±°
 FINISH SEE TABLE

MATERIAL SEE TABLE

PRODUCT SPEC 108-20256
 APPLICATION SPEC -
 WEIGHT -

NAME 3 POS. FASTIN-FASTON Connector
 TAB HOUSING, RAST 5
 0.8-1.0 MM THK. PANEL MOUNT

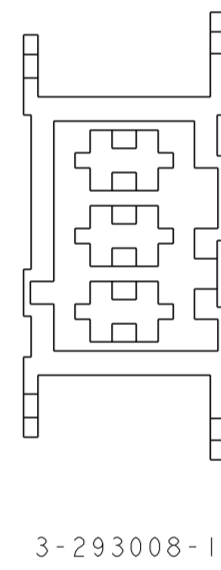
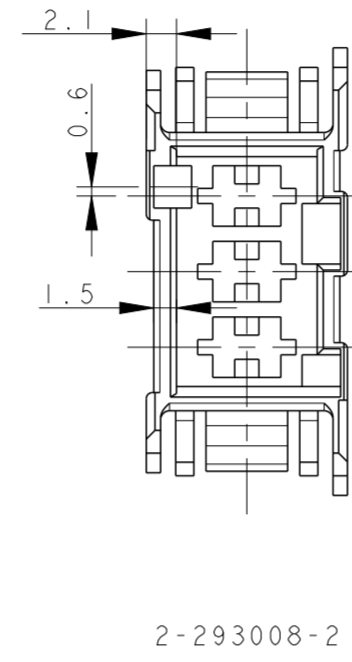
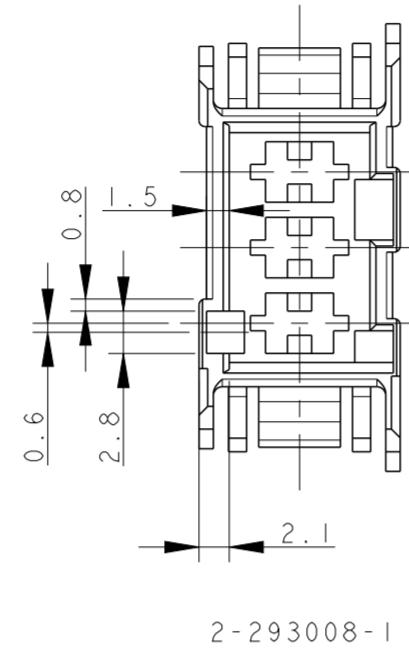
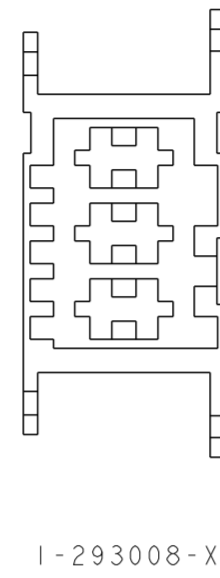
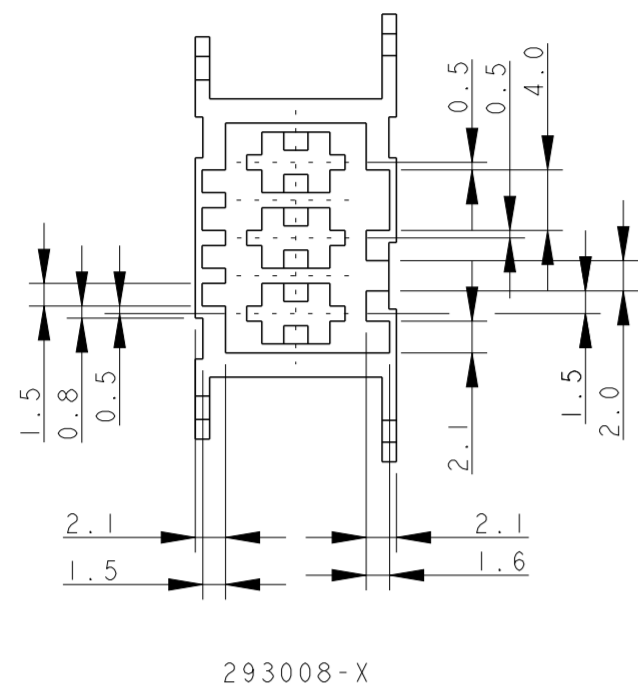
SIZE A2 CAGE CODE - DRAWING NO C-293008 RESTRICTED TO -
 CUSTOMER DRAWING SCALE 5:1 SHEET 1 OF 2 REV C1

STE TE Connectivity

THIS DRAWING IS UNPUBLISHED. RELEASED FOR PUBLICATION 2003
 © COPYRIGHT 2003 BY - ALL RIGHTS RESERVED.

REVISIONS				
P	LTR	DESCRIPTION	DATE	APVD
-	-	SEE SHEET 1	-	-

POLARIZATION SCHEME



THIS DRAWING IS A CONTROLLED DOCUMENT.		DWN H. YAALI	27 FEB 2004	TE Connectivity	
DIMENSIONS: mm		CHK C. TARTARI	APVD -		
TOLERANCES UNLESS OTHERWISE SPECIFIED:		PRODUCT SPEC 108-20256		APVD -	
0 PLC ±-		APPLICATION SPEC -		SIZE A2	
1 PLC ±0.3		WEIGHT -		CAGE CODE -	
2 PLC ±-		MATERIAL SEE TABLE		DRAWING NO. C-293008	
3 PLC ±-		FINISH SEE TABLE		RESTRICTED TO -	
4 PLC ±-		CUSTOMER DRAWING		SCALE 2:1 SHEET 2 OF 2 REV C1	
ANGLES ±1°					