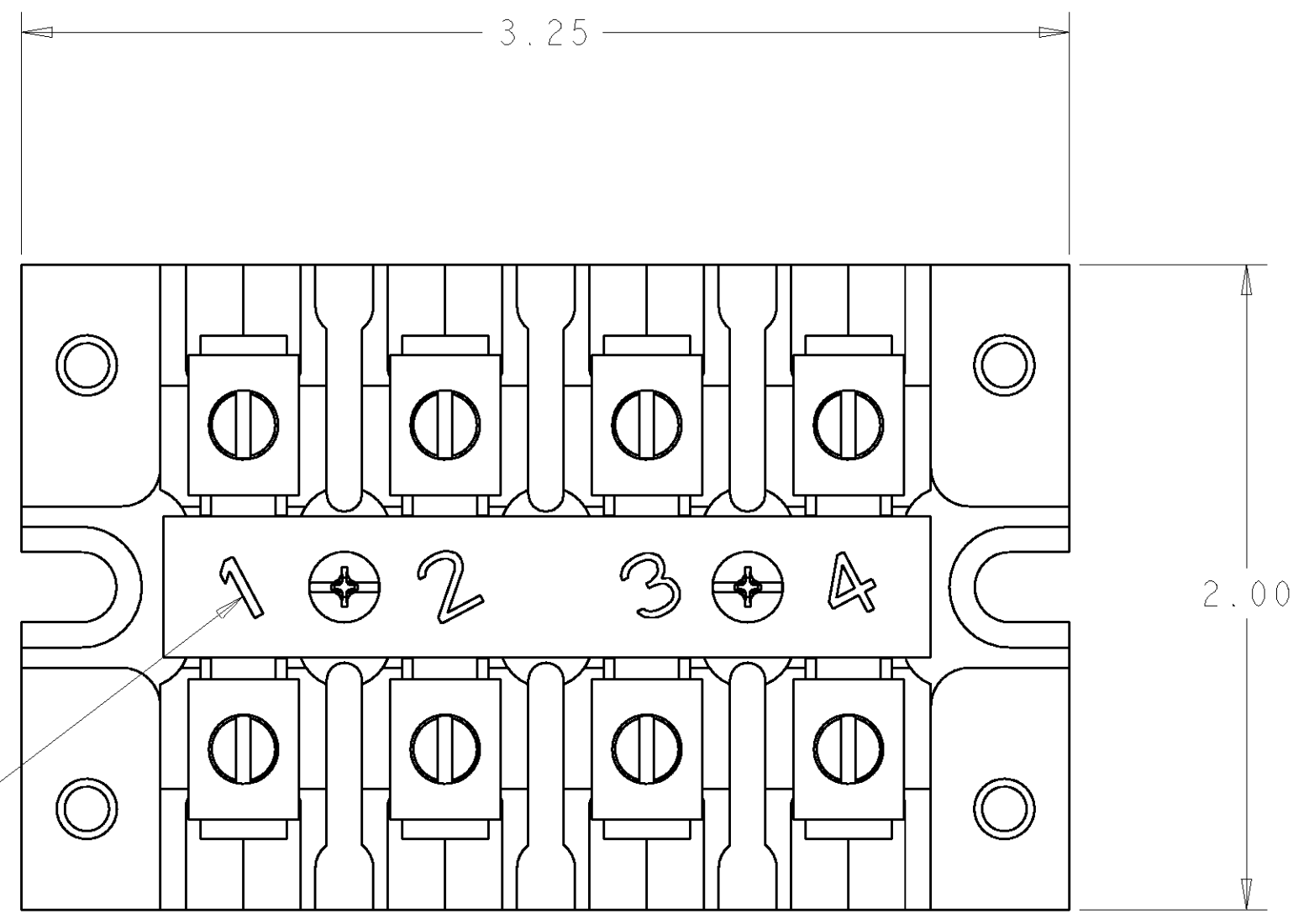
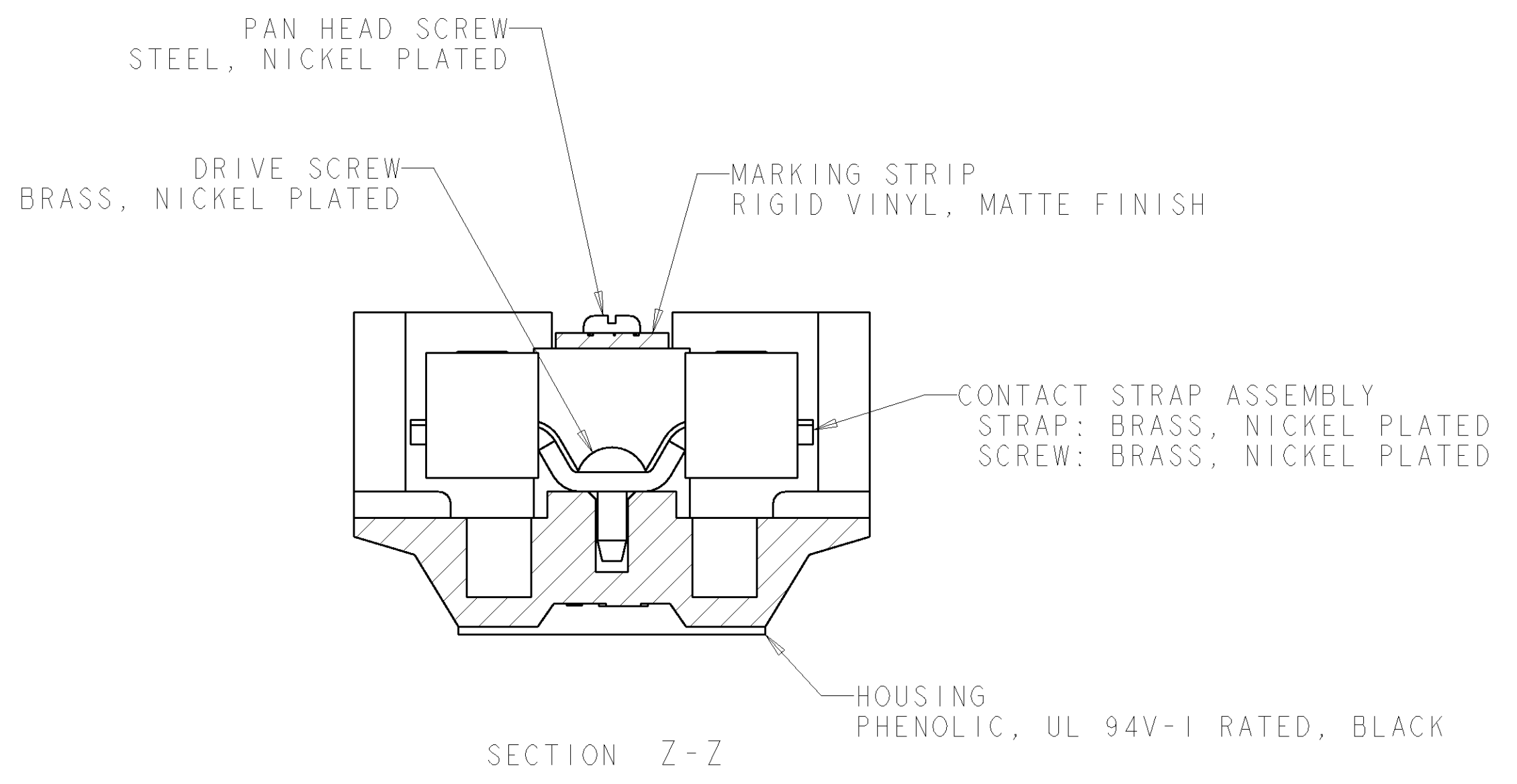
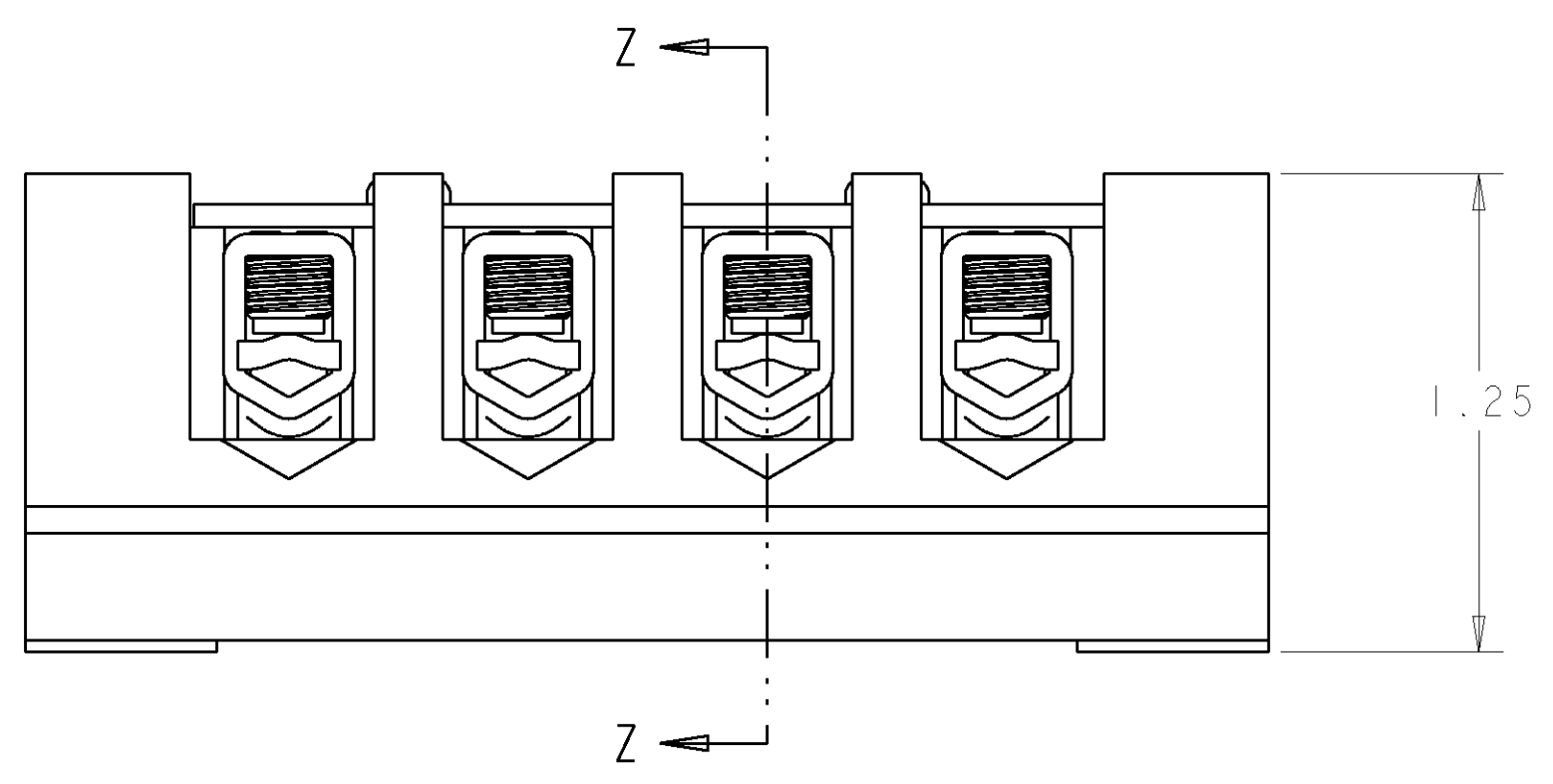


LOC		DIST		REVISIONS			
FT	0	P	LTR	DESCRIPTION	DATE	DWN	APVD
		A		REVISED EC 063B-0941-03	17MAR2004	SW	SY



MARKING, SEE TABLE

1. ALL PARTS TO BE ASSEMBLED AS SHOWN.
 △ CHARACTERS INK STAMPED WHITE ON BLACK SIDE OF MARKING STRIP.



OBSOLETE	△	4	B104SN	3-1437382-8
-	-	4	B104S	3-1437382-6
STATUS	MARKING	NO OF POSN	CATALOG NUMBER	PART NUMBER

DIMENSIONS:		TOLERANCES UNLESS OTHERWISE SPECIFIED:		DWN		BUCHANAN		Tyco Electronics	
INCHES		0 PLC	±	S. WELDON	17MAR2004	Harrisburg, PA 17105-3608		-	
		1 PLC	±0.0	S. YODER	17MAR2004	BLOCK ASSEMBLY, ONE PIECE, .625 PITCH		-	
		2 PLC	±0.01	S. YODER	17MAR2004	-		-	
		3 PLC	±0.005	APVD		-		-	
		4 PLC	±0.000	S. YODER		-		-	
		ANGLES	±	PRODUCT SPEC		-		-	
MATERIAL		FINISH		APPLICATION SPEC		-		-	
-		-		WEIGHT		-		-	
-		-		CUSTOMER DRAWING		-		-	