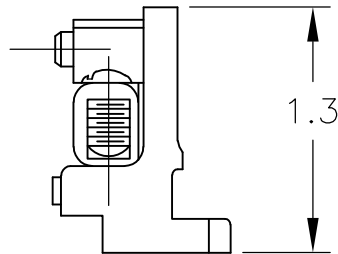
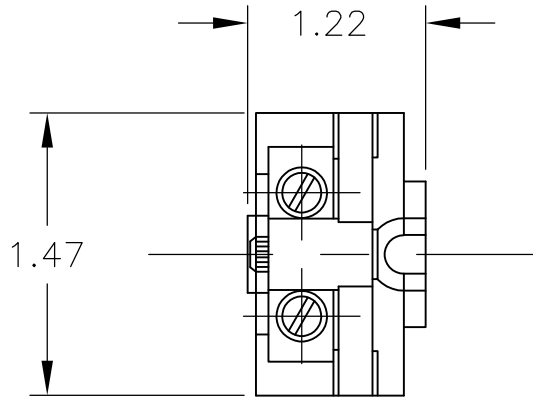


| | | | | | | | |
|-----|------|-----------|-----|---------------------------|---------|-----|------|
| LOC | DIST | REVISIONS | | | | | |
| — | — | P | LTR | DESCRIPTION | DATE | DWN | APVD |
| | | | A1 | REVISED PER ECO-11-005027 | 12MAR11 | RK | HMR |

△ 1 MATERIAL: PHENOLIC




RELEASED FOR PUBLICATION

ALL RIGHTS RESERVED.

THIS DRAWING IS UNPUBLISHED.

© COPYRIGHT — By —

| | | | | | | |
|--|------------------|---------|--|-----------|---------------|---------------|
| DIMENSIONS: INCHES | DWN | 29SEP08 | MATERIAL | △ 1 | FINISH | — |
| | CHK | 29SEP08 |  TE Connectivity | | | |
| TOLERANCES UNLESS OTHERWISE SPECIFIED: | APVD | 29SEP08 | | | | |
| 0 PLC ± - | PRODUCT SPEC | — | NAME | | | |
| 1 PLC ± - | APPLICATION SPEC | — | TERMINAL BLOCK, HEAVY D | | | |
| 2 PLC ± - | WEIGHT | — | SIZE | CAGE CODE | DRAWING NO | RESTRICTED TO |
| 3 PLC ± - | | | A4 | 00779 | C-3-1437390-3 | — |
| 4 PLC ± - | | | CUSTOMER DRAWING | | | SCALE |
| ANGLES ± - | | | | | | 1:1 |
| | | | | | | SHEET |
| | | | | | | 1 OF 1 |
| | | | | | | REV |
| | | | | | | A1 |