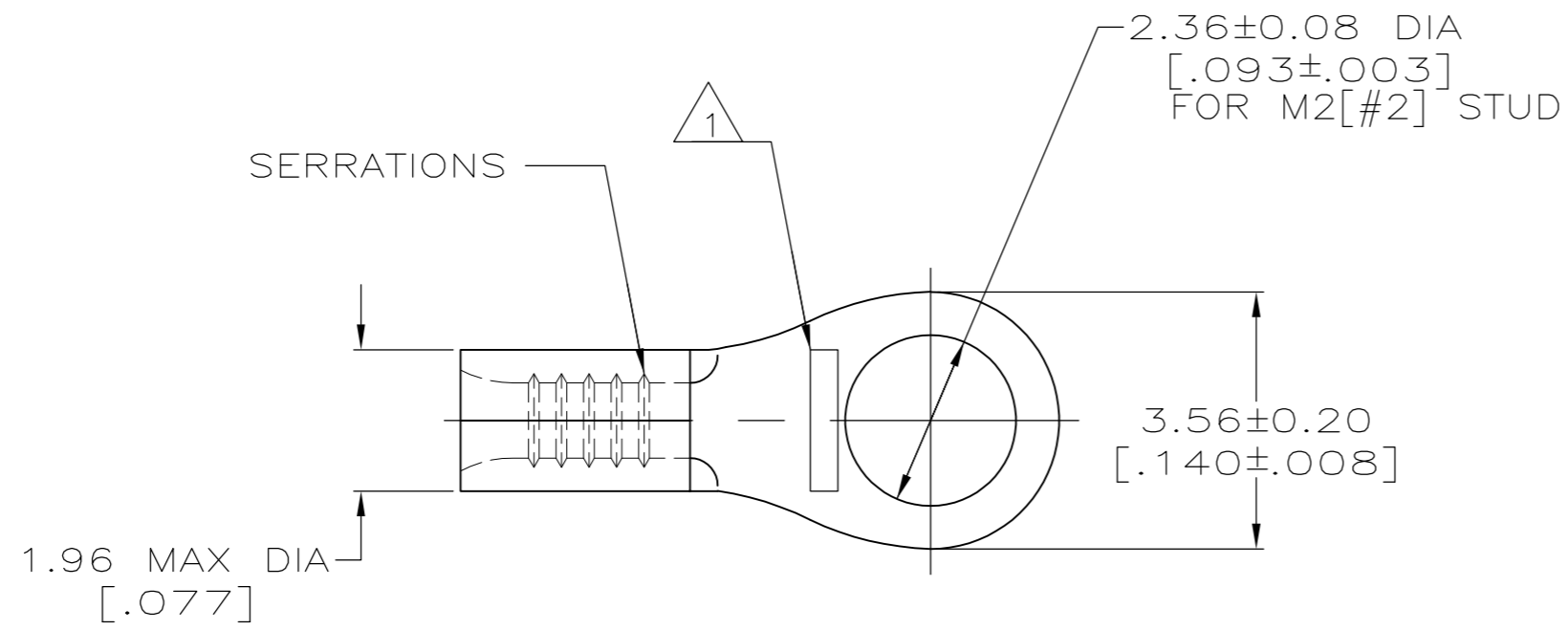
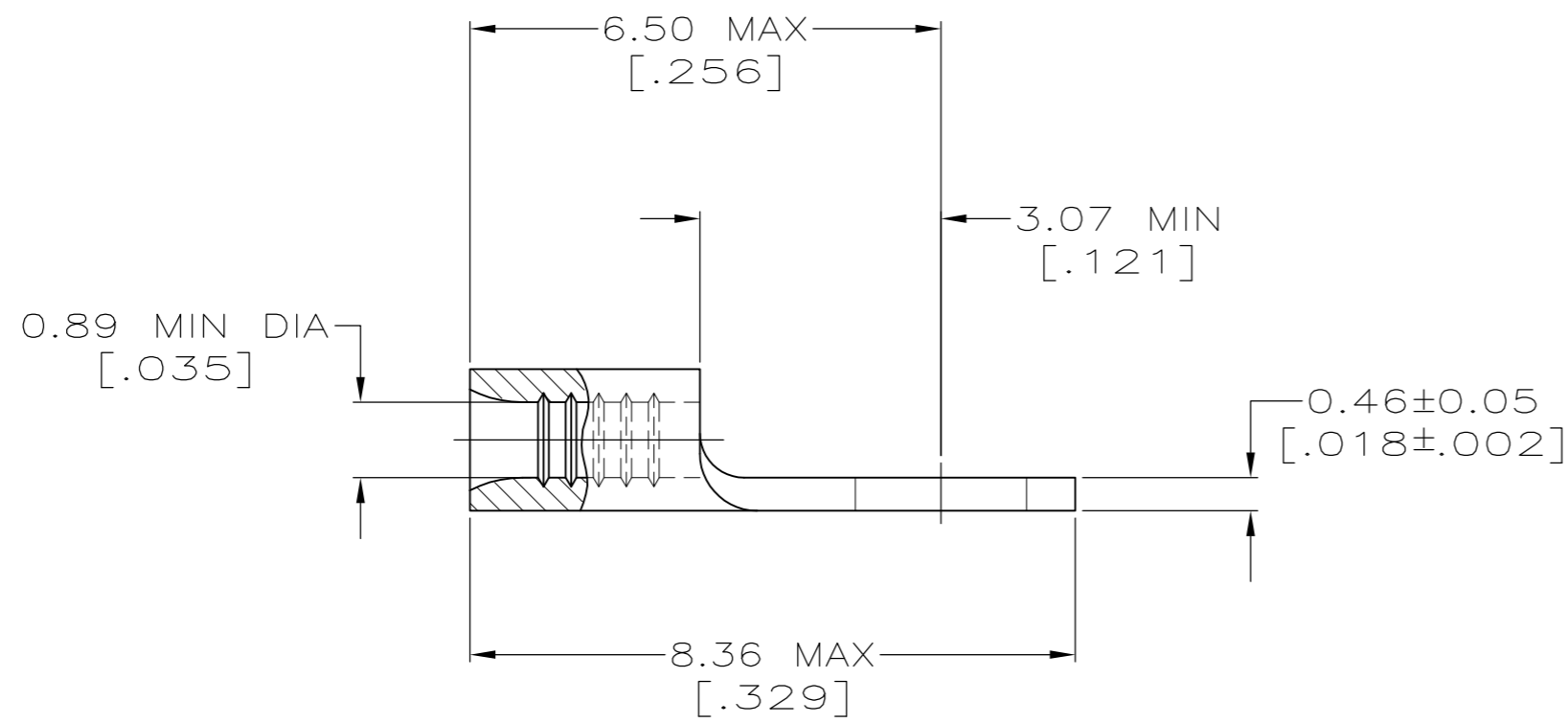


THIS DRAWING IS UNPUBLISHED. RELEASED FOR PUBLICATION
 © COPYRIGHT - By - ALL RIGHTS RESERVED.

LOC	DIST	REVISIONS			
P	LTR	DESCRIPTION	DATE	DWN	APVD
G	14	F3	REVISED PER ECO-12-014453	13SEP12	KH DR



- 1 STAMP AMP APPROX AS SHOWN
- 2 TIN PLATE 0.00254 [.000100] MIN THK PER ASTM B-545
- 3 NICKEL PLATE 0.00762 [.000300] MIN THK PER QQ-N-290
- 4 COPPER PER ASTM B-152, ANNEALED
- 5 NOTE DELETED
- 6 NO PLATING/BARE COPPER



---	3	LOOSE PIECE	2-31425-3
5000	2	ON TAPE	2-31425-2
PRELIMINARY	6	LOOSE PIECE	31425-1
---	2	LOOSE PIECE	31425
QTY	FINISH	PACKAGING	PART NO

AMP INCORPORATED CUSTOMER SERVICE SYSTEMS		MAX RECOMMENDED OPERATING TEMPERATURE: 170°C [338°F]
FOR ADDITIONAL PRODUCT INFORMATION OR COPIES OF DRAWINGS AND TECHNICAL DOCUMENTS	PRODUCT INFORMATION CENTER 1-800-522-6752	VOLTAGE RATING: N/A
FOR APPLICATION TOOLING INFORMATION	TOOLING ASSISTANCE CENTER 1-800-722-1111	CIRCULAR MIL AREA: 0.1-0.41mm ² [202-810] STRANDED
FOR ORDER ENTRY	1-800-526-5142	THIS DRAWING IS A CONTROLLED DOCUMENT FOR AMP INCORPORATED. IT IS SUBJECT TO CHANGE AND THE CONTROLLING ENGINEERING ORGANIZATION SHOULD BE CONTACTED FOR THE LATEST REVISION.

DIMENSIONS:		TOLERANCES UNLESS OTHERWISE SPECIFIED:		DWN		CHK		APVD		NAME	
mm	[INCHES]	0 PLC	± -	TA BRINKMAN	2-2-93	DA PATTERSON	2-2-93	DA PATTERSON	2-2-93	TE Connectivity	
		1 PLC	± -	PRODUCT SPEC						TERMINAL, RING TONGUE, BUDGET WIRE SIZE 26-22 AWG	
		2 PLC	± -	APPLICATION SPEC						SIZE	CAGE CODE
		3 PLC	± -							A2	00779
		4 PLC	± -							DRAWING NO	
		ANGLES	± -							C=31425	
MATERIAL				WEIGHT	-					SCALE	SHEET
COPPER	4	FINISH	SEE TABLE	CUSTOMER DRAWING						10:1	1 OF 1
										REV	F3