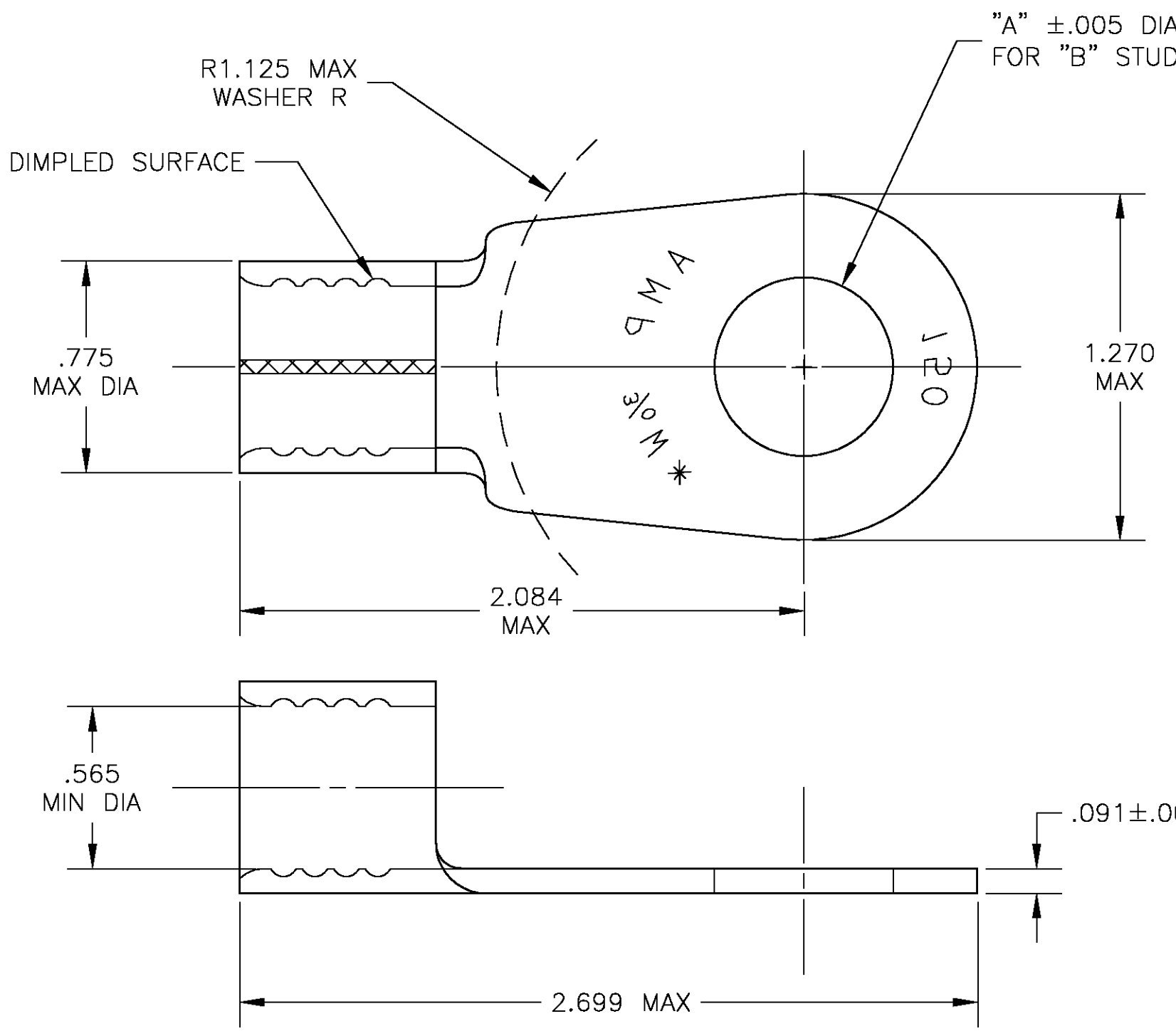


THIS DRAWING IS UNPUBLISHED. RELEASED FOR PUBLICATION
 © COPYRIGHT BY TYCO ELECTRONICS CORPORATION. ALL RIGHTS RESERVED.

| LOC | DIST | REVISIONS | | | |
|-----|------|-------------|--------------------------|---------|-------|
| P | LTR | DESCRIPTION | DATE | DWN | APVD |
| G | 86 | G | REDRAWN PER 0G3A-0395-04 | 02JUN04 | JR MS |



- △1 COPPER PER ASTM B-152, ANNEALED
- △2 TIN PER ASTM B-545

| | | | |
|----------|---------|---------|------------|
| OBSOLETE | 1/2 | .515 | 1-322222-0 |
| | 5/8 | .656 | 322222 |
| | DIM "B" | DIM "A" | PART NO |

| | | | | |
|---|--|------------------------|--|---------------------|
| THIS DRAWING IS A CONTROLLED DOCUMENT. | | DWN jr_ruth 02JUN04 | Tyco Electronics Corporation Harrisburg, PA 17105 | |
| DIMENSIONS: INCHES | | CHK MJ SPICER 02JUN04 | | |
| TOLERANCES UNLESS OTHERWISE SPECIFIED: 0 PLC ± - 1 PLC ± - 2 PLC ± - 3 PLC ± .008 4 PLC ± - ANGLES ± 5° | | APVD MJ SPICER 02JUN04 | NAME | |
| MATERIAL - △1 | | FINISH - △2 | TERMINAL, SOLISTRAND, RING TONGUE, WIRE SIZE: 3/0 AWG | |
| CUSTOMER DRAWING | | SIZE A3 | CAGE CODE 00779 | DRAWING NO C-322222 |
| | | SCALE 2:1 | SHEET 1 OF 1 | REV G |