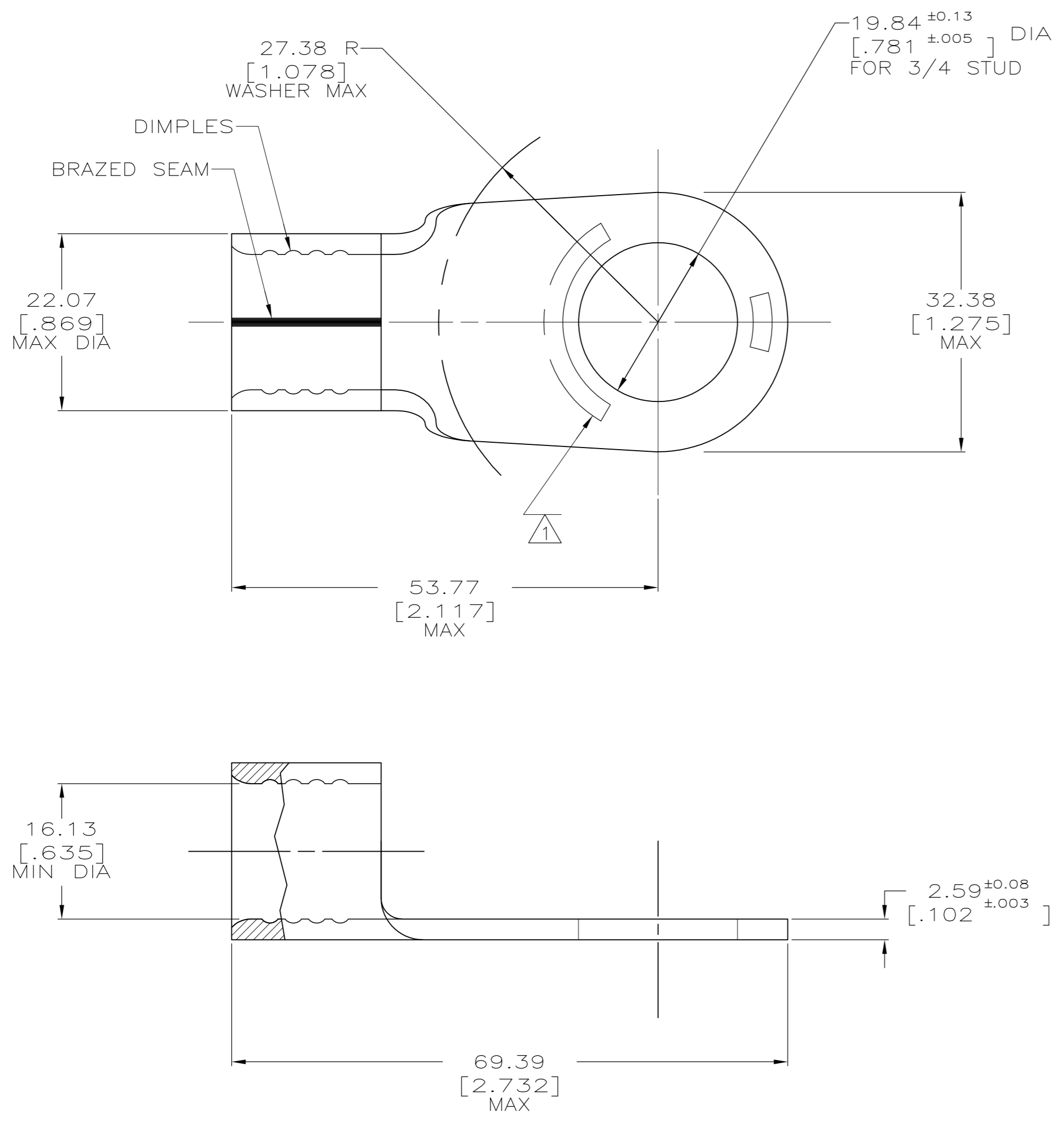


THIS DRAWING IS UNPUBLISHED. RELEASED FOR PUBLICATION  
 © COPYRIGHT BY TYCO ELECTRONICS CORPORATION. ALL INTERNATIONAL RIGHTS RESERVED.

| LOC | DIST | REVISIONS   |                       |         |       |
|-----|------|-------------|-----------------------|---------|-------|
| P   | LTR  | DESCRIPTION | DATE                  | DWN     | APVD  |
| G   | 14   | D1          | REV PER ECR 09-026553 | 08DEC09 | JR TM |



|                              |                           |
|------------------------------|---------------------------|
| <b>AMP</b><br>WIRE RANGE     | E13288<br>Listed          |
| 4/0 AWG<br>SOLID OR STRANDED | 4/0 AWG<br>STRANDED       |
| LR7189<br>Certified          | MILITARY P/N<br>AND CLASS |
| 4/0 AWG<br>SOLID OR STRANDED | MS20659-160<br>CLASS 2    |

- 1 STAMP AMP 4/0W\* 200 APPROX AS SHOWN
- 2 COPPER PER ASTM B-152, ANNEALED
- 3 TIN PLATE 0.00254 [.000100] MIN PER ASTM B-545
- 4 MAX RECOMMENDED OPERATING TEMP 170°C
- 5 WIRE CROSS SECTIONAL AREA RANGE:  
96.3-117.0mm<sup>2</sup> [ 190,000-231,000 ] CIR MILS  
STRANDED OR SOLID

322228  
PART NO.

|   |  |                               |   |                    |
|---|--|-------------------------------|---|--------------------|
| THIS DRAWING IS A CONTROLLED DOCUMENT.    |  | DWN<br>DK SCHRUM<br>10/5/93   | Tyco Electronics Corporation<br>Harrisburg, PA 17105-3608 |                    |
| DIMENSIONS:<br>MM [INCHES]                |  | CHK<br>AJ KAUFMAN<br>10/6/93  | NAME<br>TERMINAL, RING TONGUE,<br>SOLISTRAND              |                    |
| TOLERANCES UNLESS<br>OTHERWISE SPECIFIED: |  | APVD<br>JL MECKLEY<br>10/6/93 | SIZE<br>A2  | CAGE CODE<br>00779 |
| 0 PLC ± -                                 |  | PRODUCT SPEC                  | DRAWING NO<br>C=322228                                    | RESTRICTED TO      |
| 1 PLC ± -                                 |  | APPLICATION SPEC              | SCALE<br>2:1  | SHEET<br>1 of 1    |
| 2 PLC ± 0.20[.008]                        |  | WEIGHT                        | REV<br>D1   |                    |
| 3 PLC ± -                                 |  | CUSTOMER DRAWING              |   |                    |
| 4 PLC ± -                                 |  |                               |   |                    |
| ANGLES ± -                                |  |                               |   |                    |
| FINISH                                    |  |                               |   |                    |

322228