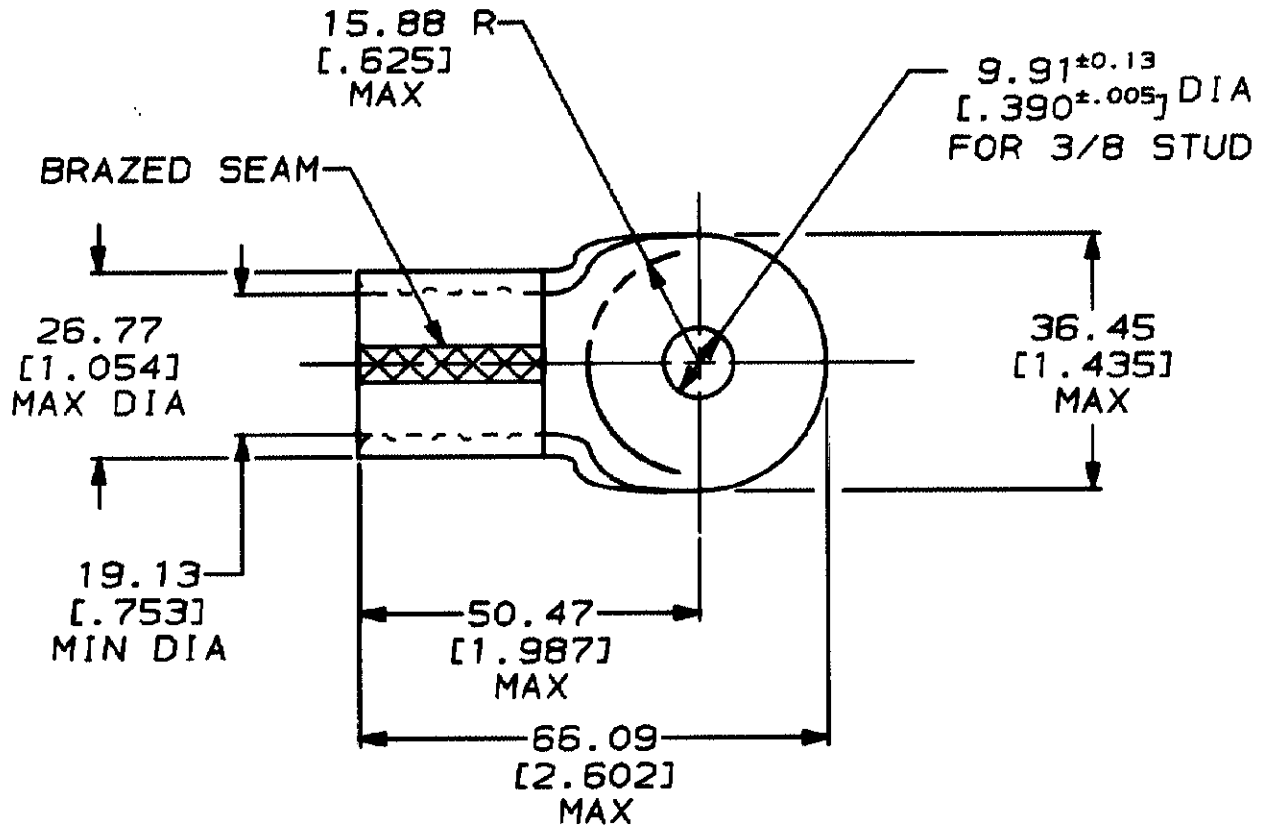


THIS DRAWING IS A CONTROLLED DOCUMENT FOR AMP INCORPORATED.
 IT IS SUBJECT TO CHANGE AND THE CONTROLLING ENGINEERING
 ORGANIZATION SHOULD BE CONTACTED FOR THE LATEST REVISION.

DRAWING MADE IN THIRD ANGLE PROJECTION

LOC	DIST	P	F	LTR	DESCRIPTION	DATE	APPROVED
G	14			D	REVISED & REDRAWN PER G-5803	6/9/92	DKS / AJK

THIS DRAWING IS UNPUBLISHED. RELEASED FOR PUBLICATION BY AMP INCORPORATED. ALL INTERNATIONAL RIGHTS RESERVED. © COPYRIGHT 19



322252
PART NO

DO NOT SCALE PRINT.
 UNLESS SPECIFIED
 DIMENSIONS IN mm (IN)
 TOLERANCES ON:
 2 PLC DEC ± 0.20(.008)
 3 PLC DEC ± -
 ANGLES ± -
 MATERIAL
 COPPER ASTM B-152
 ANNEALED
 FINISH
 TIN PLATE
 0.00254(.000100) MIN
 THK PER MIL-T-10727

DR 6/8/92
 DK SCHUM
 CHK 6/26/92
 RD NEIH
 APPD 6/26/92
 AJ KAUFMAN
 APPD 6/26/92
 CR RHODS
 PRODUCT SPEC
 -
 APPLICATION SPEC
 -
 WEIGHT -

AMP AMP Incorporated
 Harrisburg, PA 17105-3608
 NAME
 TERMINAL, RING TONGUE, SOLISTRAND™
 WIRE SIZE: 127.0-152.0mm² [250-300] MCM
 SIZE CAGE CODE DRAWING NO
 A 00779 C-322252
 SCALE 1:1 SHEET 1 OF 1