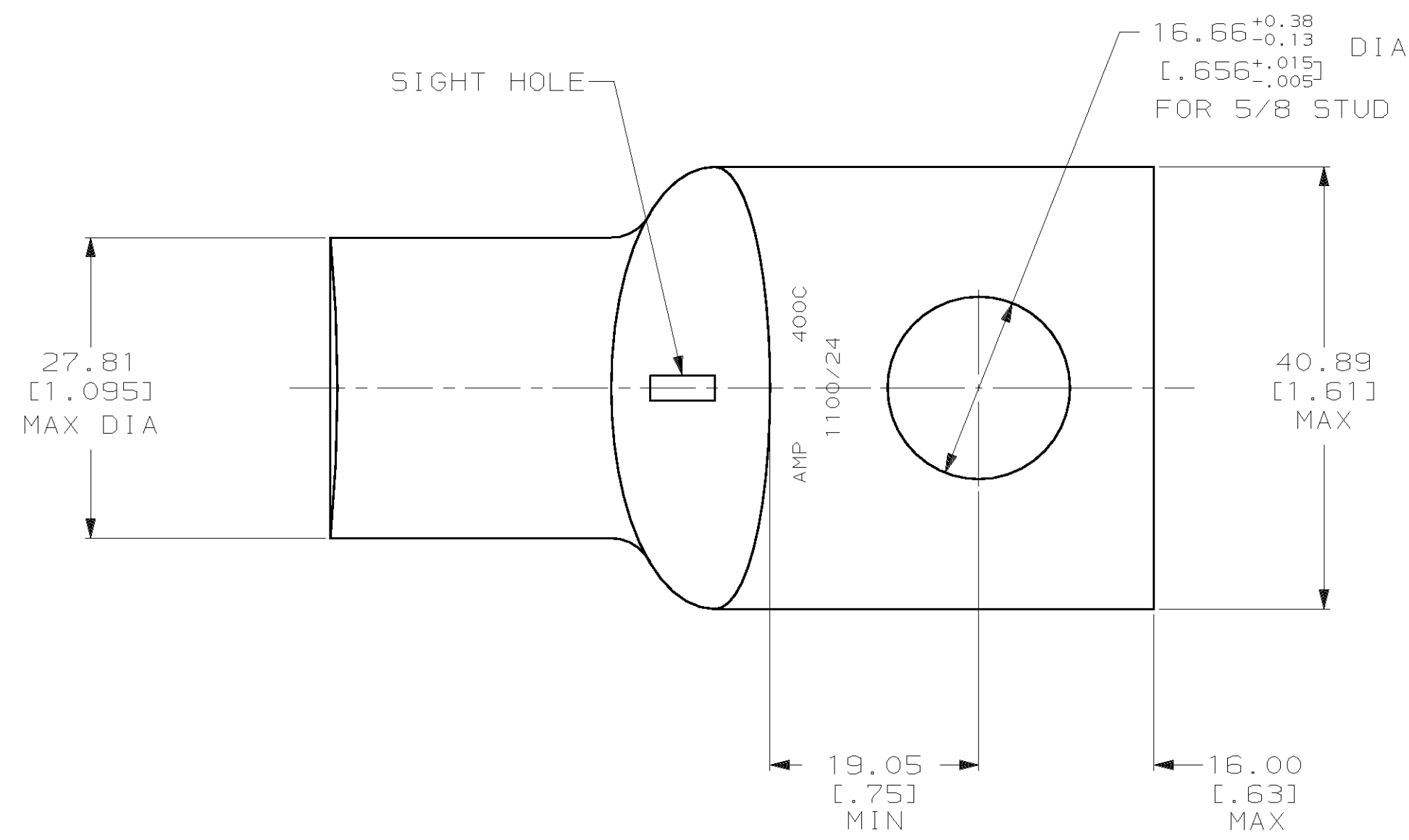
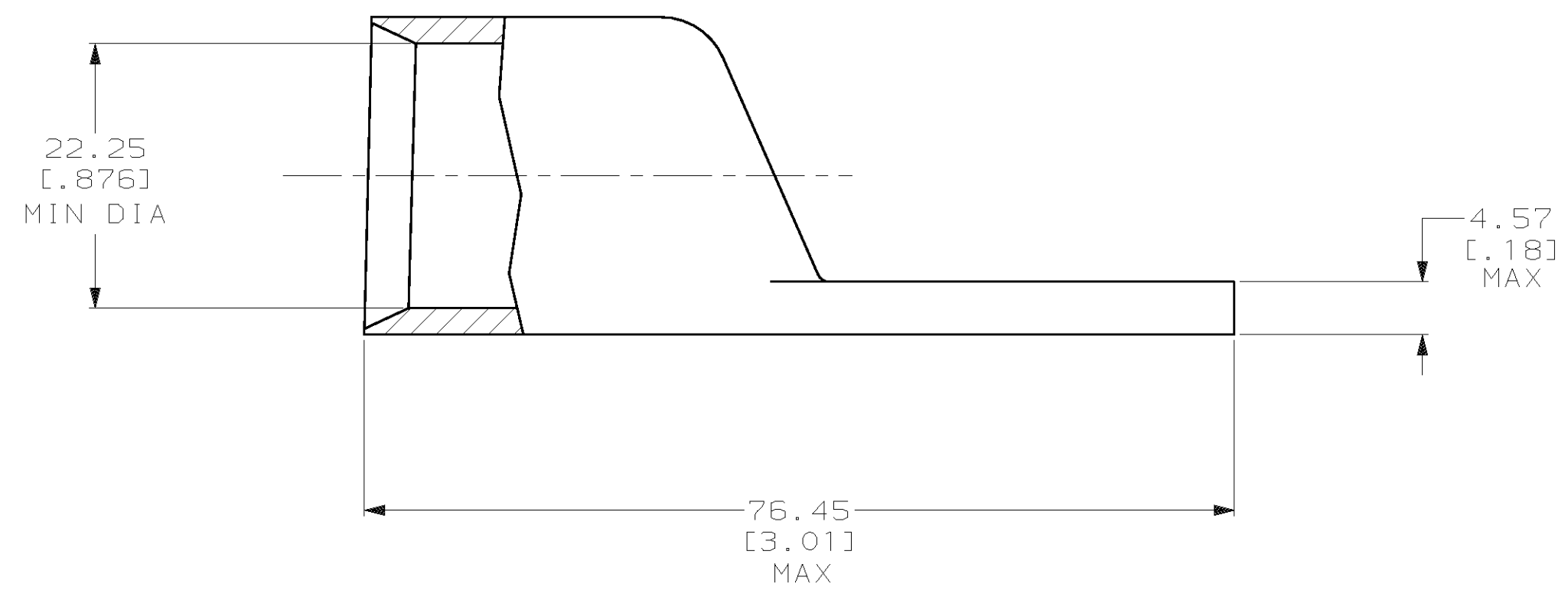


THIS DRAWING IS UNPUBLISHED. RELEASED FOR PUBLICATION ,19 .
 © COPYRIGHT 19 BY AMP INCORPORATED. ALL INTERNATIONAL RIGHTS RESERVED.

| LOC | | DIST | | P | | F | | ZONE | | LTR | | REVISIONS | | DATE | APPD |
|-----|--|------|--|---|--|---|--|------|--|-----|--|-----------|----------------------|---------|------|
| G | | 86 | | | | | | | | | | T | REV PER 0G3A-0561-01 | 08OCT02 | JR |



1 CIRCULAR MIL AREA RANGE: 375-450 MCM
 2 TIN PL 0.00381 [.000150] MIN THK PER MIL-T-10727



326007

326007
 PART NO

| | | | | | |
|--|--|---------------------------|--|---|--|
| DO NOT SCALE PRINT. UNLESS SPECIFIED DIMENSIONS IN mm [INCHES] TOLERANCES ON : 2 PLC DEC ± 0.51 [.020] 3 PLC DEC ± - ANGLES ± - | | DR 03/16/90 DK SCHRUM | | AMP INCORPORATED Harrisburg, Pa. 17105 | |
| MATERIAL ANNEALED COPPER ASTM B-75 | | CHK 23JAN95 MS FEHER | | | |
| FINISH | | APPD 23JAN95 WJ VOCKROTH | | NAME TERMINAL, AMPPOWER™ WIRE SIZE: 400 MCM | |
| APPLICATION SPEC - | | APPD 23JAN95 TL SHUTTER | | DRAWING NO 326007 | |
| WEIGHT .229 LB | | PRODUCT SPEC 108-30200 | | SCALE 2:1 | |
| | | CAGE CODE 00779 | | SHEET 1 OF 1 | |

