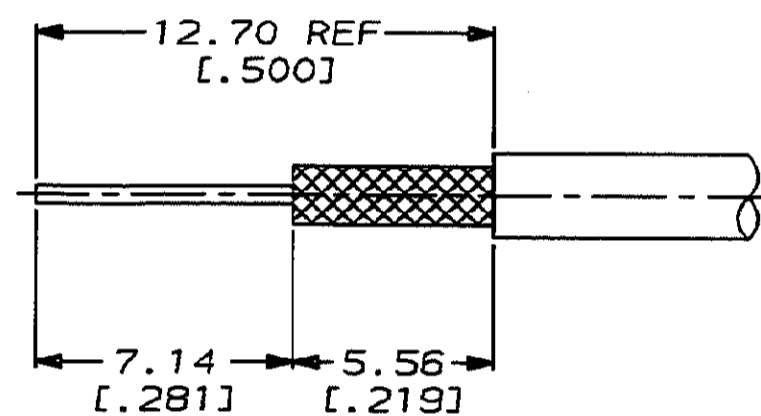


DRAWING MADE IN THIRD ANGLE PROJECTION

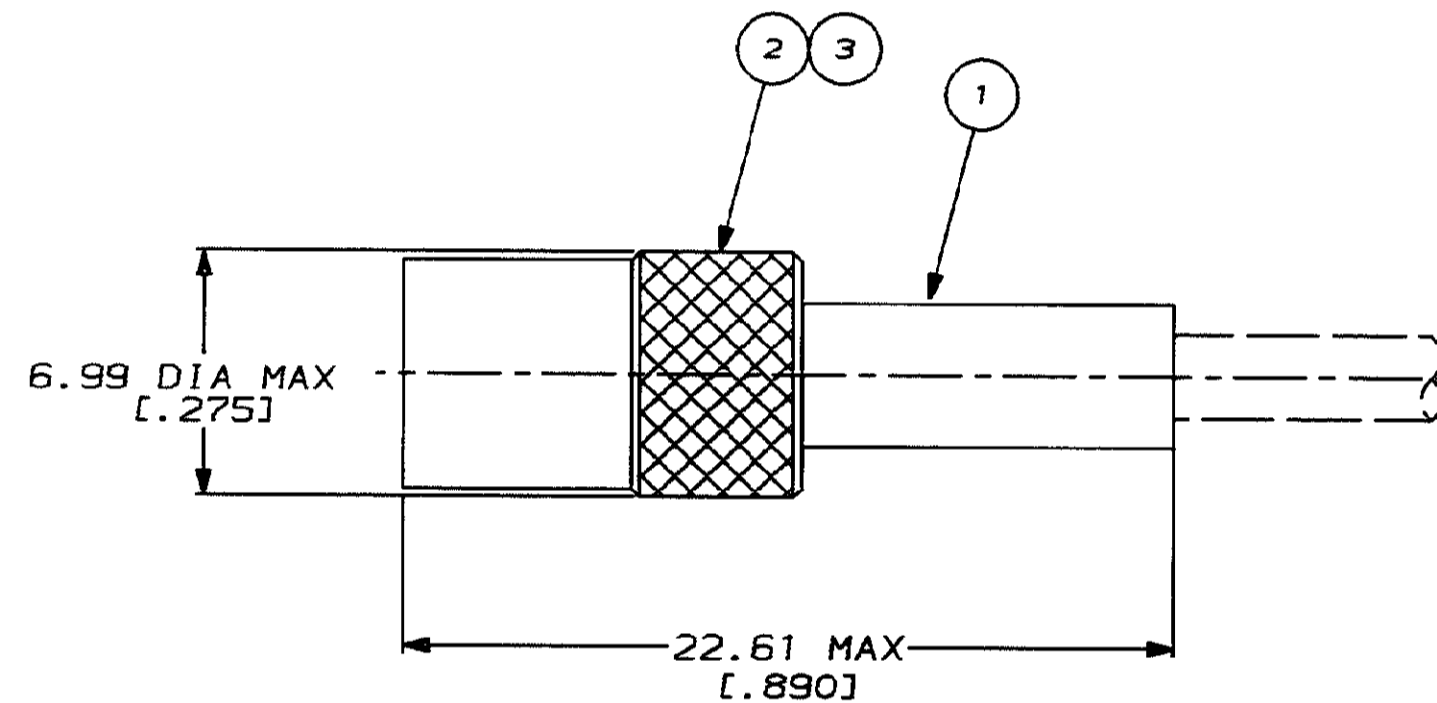
THIS DRAWING IS UNPUBLISHED. RELEASED FOR PUBLICATION  
 © COPYRIGHT 19 BY AMP INCORPORATED. ALL INTERNATIONAL RIGHTS RESERVED.

LOC	DIST	P	F	ZONE	LTR	DESCRIPTION	DATE	APPD
AJ	16				K	REDWN & SUPERSEDED -22 PER AJ-2432	06-24-91	BAS
					L	REV PER 0130-0161-92	22/APR/93	JPD

- ① RG-161/U, 174/U, 178/U, 178A/U, 179A/U, 187/U, 188/U, 196/U, 21-596 & 21-598
- ② RG-179A/U, 187/U, 174/U, 188/U, 21-596 & 21-598
- ③ RG-161/U, 178/U, 178A/U & 196/U
- 4. SEE I.S. 1771
- 5. PARTS PACKAGED UNASSEMBLED



RECOMMENDED STRIP LENGTH



SUPERSEDED BY	③	②	①	③	②	①	PART NUMBER
2-330311-2	69188-1	45609 & 69142	-	329011	328695	329067	2-329036-2
				329011	328695	329038	2-329036-1
				329011	328695	-	329036
FOR USE WITH CABLE	CRIMP TOOL	③ PLUG ASSEMBLY QTY=1	② COLLAR, RETAINING QTY=1	① FERRULE QTY=1			

DO NOT SCALE PRINT. UNLESS SPECIFIED DIMENSIONS IN mm [INCHES] TOLERANCES ON : 2 PLC DEC ± 0.41 [.016] 3 PLC DEC ± - ANGLES ± -		DR 06-24-91 B. SCOTT		AMP AMP Incorporated Harrisburg, PA 17105-3608	
MATERIAL -		CHK 02/05/93 G. MICHAEL		NAME	
FINISH -		APPD 02/05/93 J. DAVIS		PLUG, THREADED, MINIATURE SERIES	
APPLICATION SPEC -		PRODUCT SPEC 108-12013		SIZE C	CAGE CODE 00779
WEIGHT -		DRAWING NO 329036		SCALE 5:1	SHEET 1 OF 1