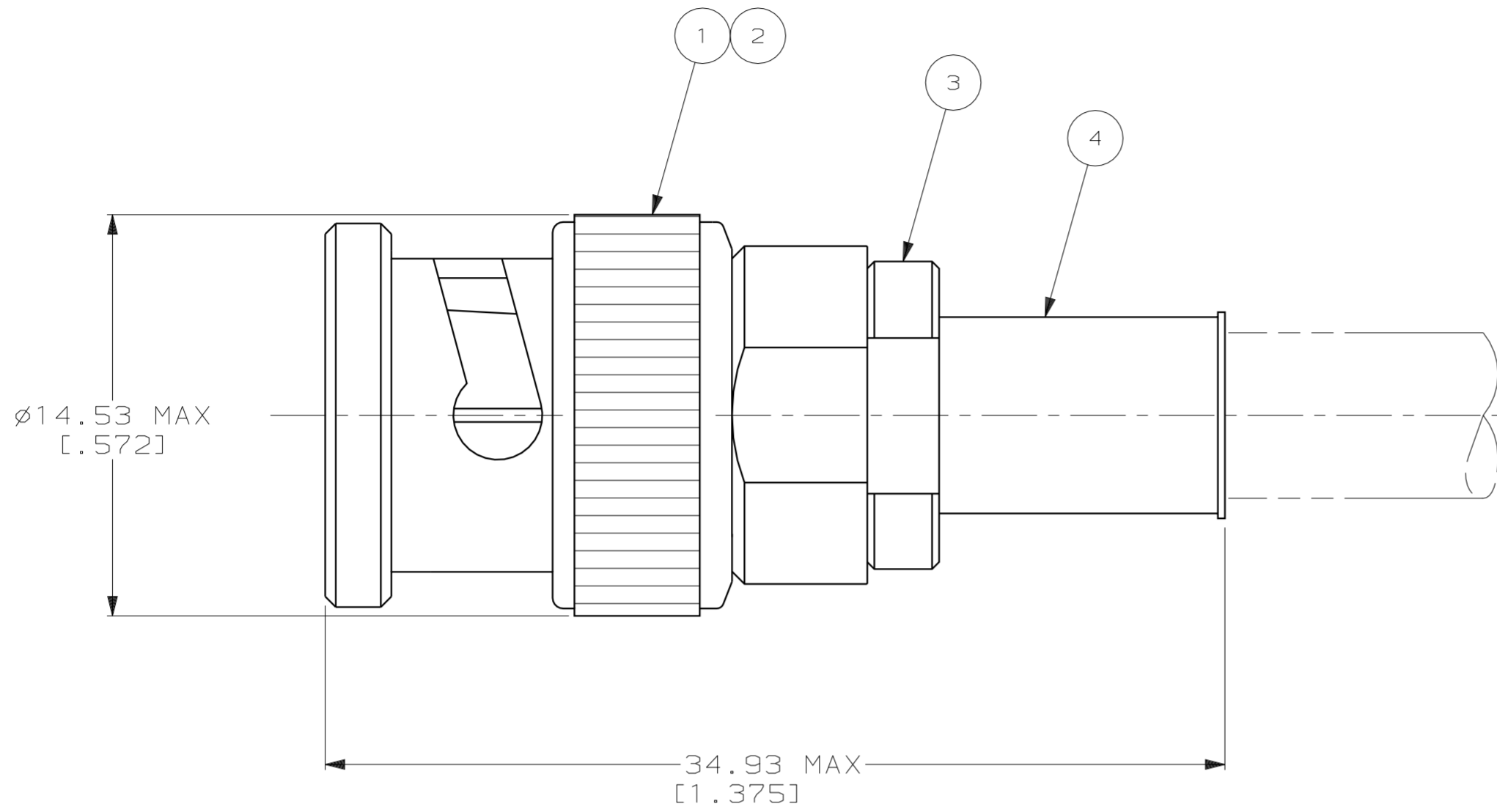
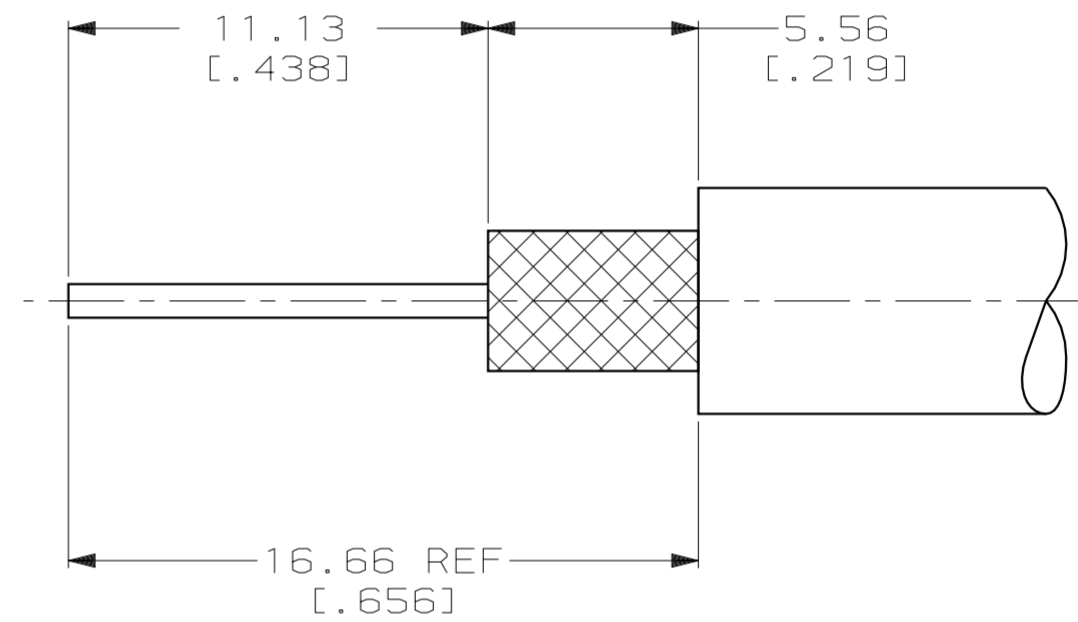


THIS DRAWING IS UNPUBLISHED. RELEASED FOR PUBLICATION  
 © COPYRIGHT 19 BY AMP INCORPORATED. ALL INTERNATIONAL RIGHTS RESERVED.

LOC	DIST	P	F	ZONE	LTR	REVISIONS	DATE	APPD
AJ	16				L	DESCRIPTION		
						OBSOLETE -22 PER 0E10-0130-99	13DEC99	MO



- 1. FOR CABLE: RG-59/U, 59A/U, 59B/U, 62/U, 62A/U, 62B/U, 124/U, 140/U, 210/U
- 2. USE INSTRUCTION SHEET 1799-1



RECOMMENDED STRIP LENGTH  
NO SCALE

OBSOLETE	-	-	-	-	-	-	-	7-329445-2
OBSOLETE	-	-	-	-	-	-	-	7-329445-1
OBSOLETE	RG-71/U, 71A/U, 71B/U	69141-2	329460	50780-3	2-329106-1	329804	2-329445-2	
	1	69141-1	329041	50780-3	2-329106-1	329804	2-329445-1	
SUPERSEDED BY 2-329445-1	-	-	-	-	-	-	329445	
	CABLE	CRIMP TOOL	4 FERRULE QTY=1	3 CRIMP END ASSEMBLY QTY=1	2 GASKET QTY=1	1 PLUG ASSEMBLY QTY=1	PART NUMBER	

DO NOT SCALE PRINT. UNLESS SPECIFIED DIMENSIONS IN mm [INCHES] TOLERANCES ON : 2 PLC DEC ± 0.41 [0.016] 3 PLC DEC ± - ANGLES ± -	DR 14FEB96 MICHAEL E. COWHER	AMP Incorporated Harrisburg, PA 17105-3608	
MATERIAL	CHK 15FEB96 FRANK P. MORANA		
FINISH	APPD 15FEB96 FRANK P. MORANA	NAME	
	APPD 15FEB96 MICHAEL E. COWHER	PLUG, BNC	
	PRODUCT SPEC	SIZE	CAGE CODE
	APPLICATION SPEC	SCALE	DRAWING NO
	WEIGHT	5:1	00779
			329445
			SHEET 1 OF 1

329445