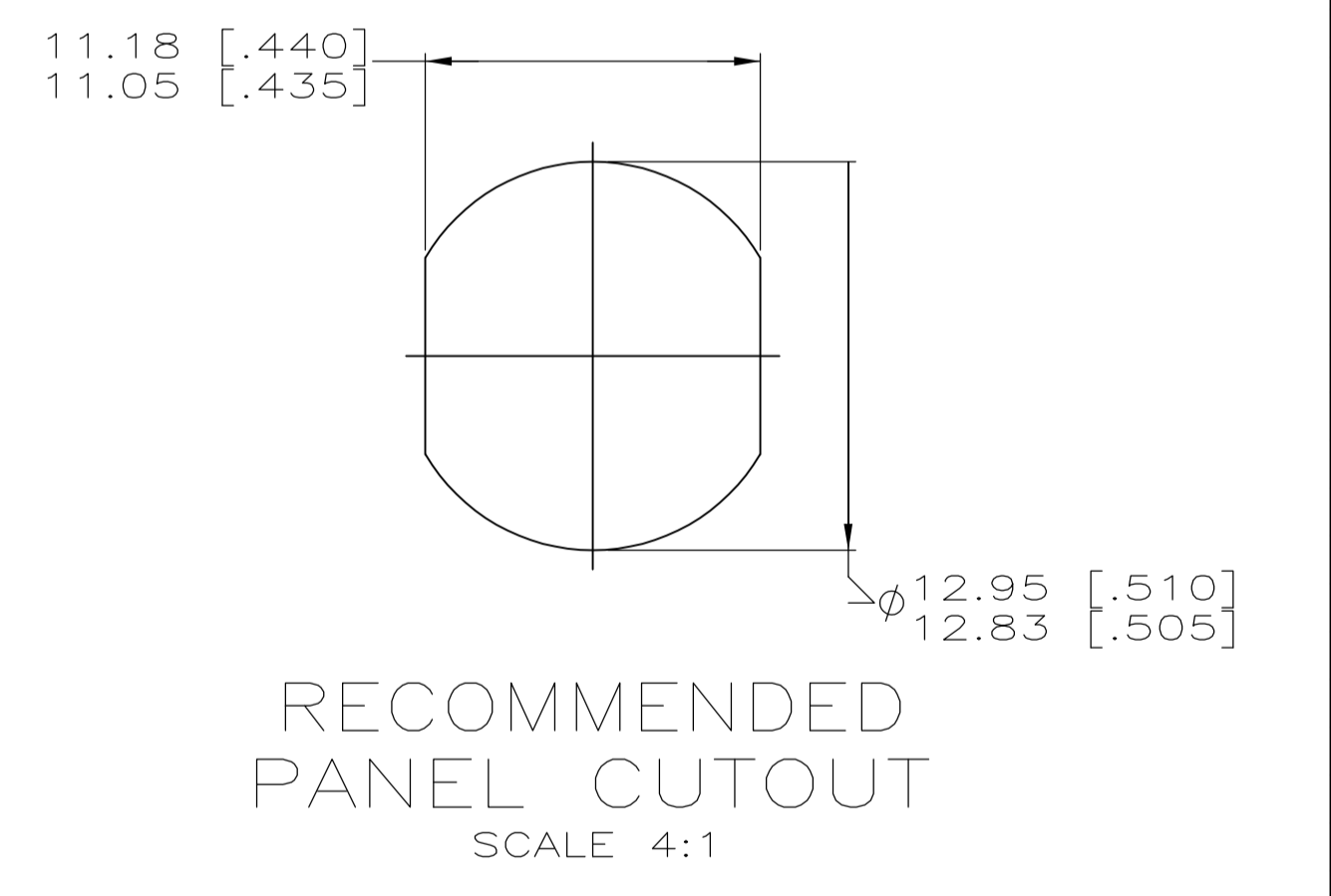
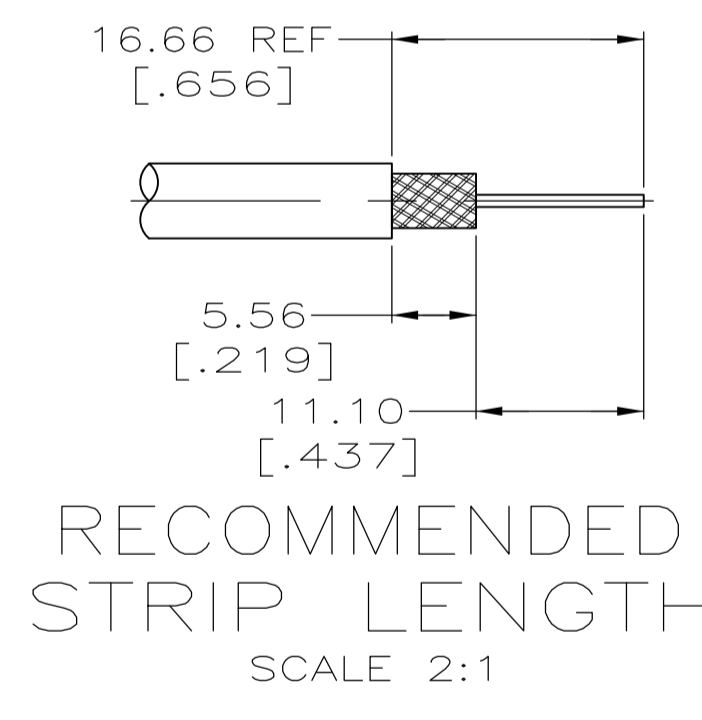
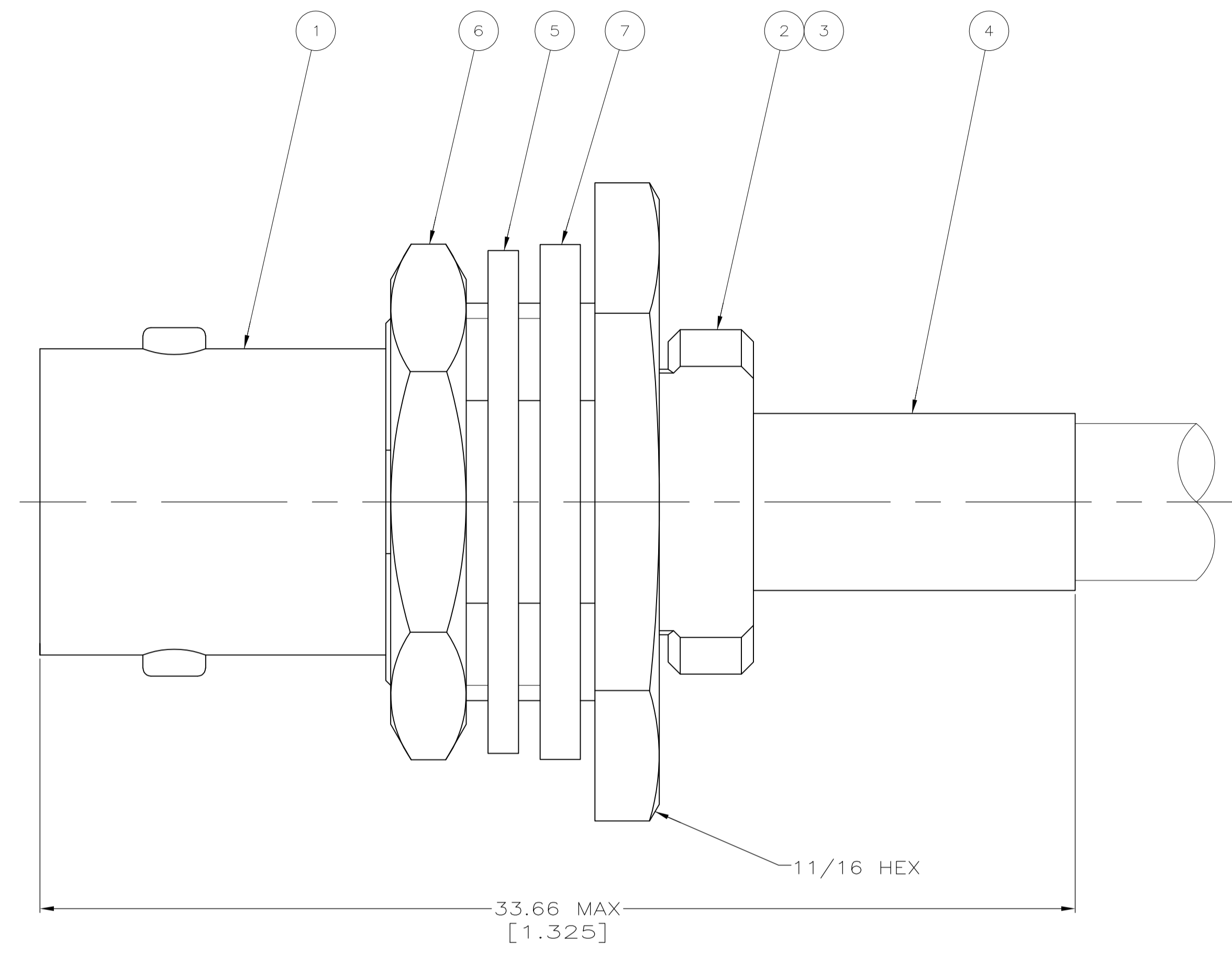


REVISIONS					
P	LTR	DESCRIPTION	DATE	DMN	APVD
S		REV PER ECR-16-003354	09MAR2016	LN	RS

- USE INSTRUCTION SHEET 1799-3
- MAXIMUM PANEL THICKNESS = 3.18 [.125]



OBSOLETE	-	-	-	-	-	-	-	-	-	-	7-329456-2
OBSOLETE	-	-	-	-	-	-	-	-	-	-	7-329456-1
OBSOLETE	-	-	-	-	-	-	-	-	-	-	2-329456-3
OBSOLETE	RG-55/U, 55A/U, 55B/U, 223/U	69140-2	329633	329631	329632	329099	50793-1	2-329106-1	329800	2-329456-2	
	RG-142/U, 142A/U, 142B/U	69331-1									
	RG-58/U, 58A/U, 58B/U, 58C/U	69140-1	329633	9-329631-0	9-329632-0	9-328663-0	50793-1	2-329106-1	9-329800-0	2-329456-1	
SUPERSEDED BY 2-329456-1	-	-	-	-	-	-	-	-	-	-	329456
	CABLE	CRIMP TOOL	⑦ GASKET QTY=1	⑥ JAM NUT QTY=1	⑤ LOCK WASHER QTY=1	④ FERRULE QTY=1	③ CRIMP END ASSEMBLY QTY=1	② GASKET QTY=1	① JACK ASSEMBLY BULKHEAD QTY=1		PART NUMBER

THIS DRAWING IS A CONTROLLED DOCUMENT.

DIMENSIONS:	TOLERANCES UNLESS OTHERWISE SPECIFIED:	DMN	07FEB96	TE Connectivity
mm	0 PLC ± - 1 PLC ± - 2 PLC ± 0.41 [.016] 3 PLC ± - 4 PLC ± - ANGLES ± -	CHK	15FEB96	
MATERIAL	FINISH	APVD	FRANK P. MORANA	NAME
		PRODUCT SPEC	FRANK P. MORANA	JACK, BULKHEAD, BNC
		APPLICATION SPEC		
		WEIGHT		SIZE
				A1
				CAGE CODE
				00779
				DRAWING NO
				329456
				RESTRICTED TO
				CUSTOMER DRAWING
				SCALE
				8:1
				SHEET
				1 OF 1
				REV
				S