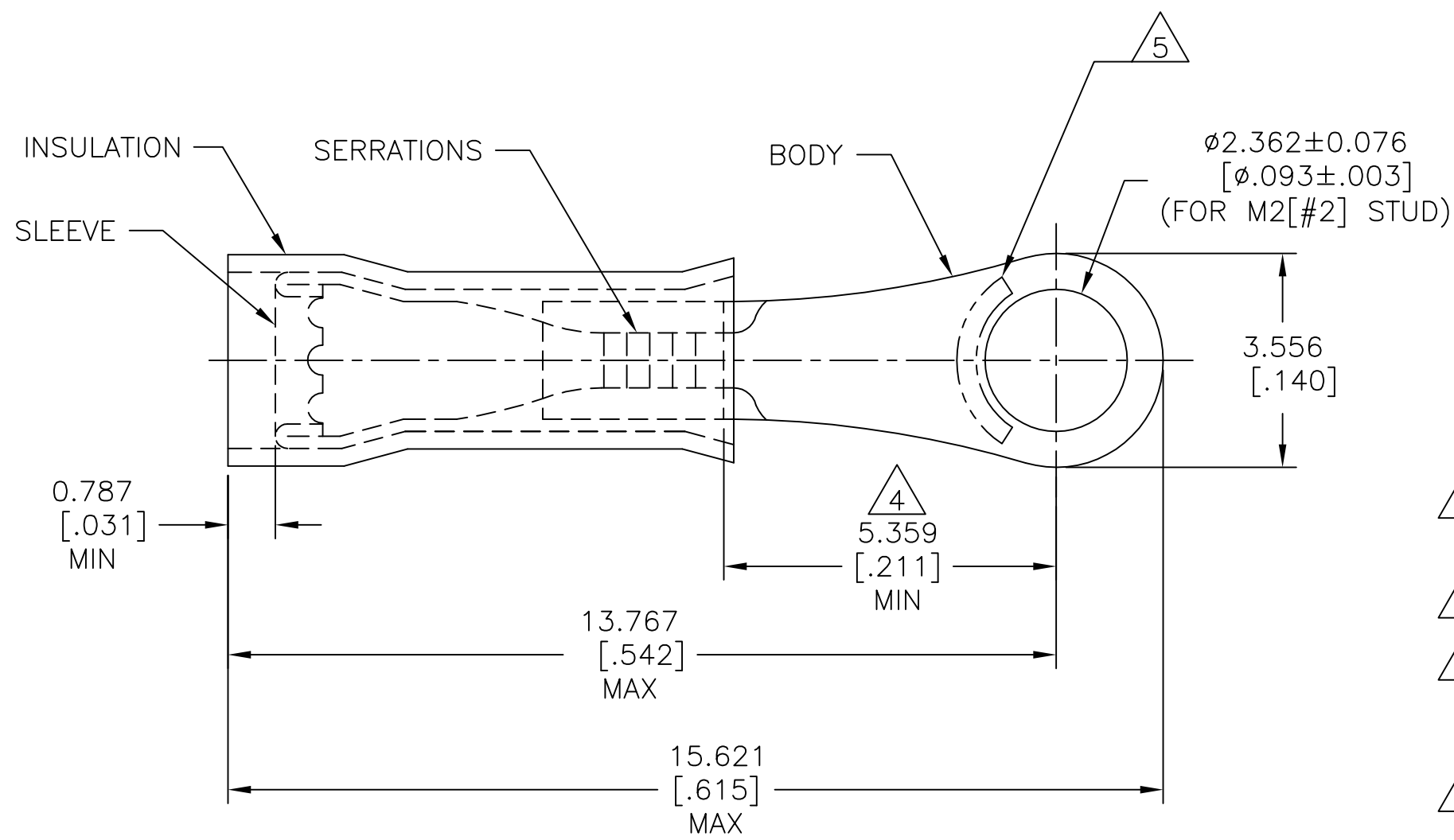


REVISIONS					
P	LTR	DESCRIPTION	DATE	DWN	APVD
	G1	REVISED PER ECR-09-017960	28AUG09	HMR	JR
	G2	REVISED PER ECO-17-007400	01DEC2017	RS	DR



AMP
 WIRE RANGE
 26-22 AWG
 STRANDED

- 1 FOR $\phi 1.270[\phi 0.050]$ TO $\phi 2.083[\phi 0.082]$ WIRE INSULATION.
- 2 BODY MATERIAL THK = $0.457 \pm 0.051[.018 \pm .002]$
- 3 NOTE DELETED.
- 4 APPLIES FROM THE METAL EDGE OF THE BARREL TO THE CENTER OF THE STUD.
- 5 STAMP AMP APPROX AS SHOWN.
- 6 MATERIAL:
 BODY & SLEEVE: COPPER (ASTM-B152)
 INSULATION: NYLON (ASTM-D4066) TYPE 1.
- 7 FINISH:
 BODY & SLEEVE: TIN PLATED (ASTM-B545)
 INSULATION: COLOR-YELLOW.

1000	LOOSE PIECE	329951
QTY	PACKAGE TYPE	PART NO

AMP INCORPORATED CUSTOMER SERVICE SYSTEMS		THIS DRAWING IS A CONTROLLED DOCUMENT.		DWN RAGHAVENDRA 28AUG09	STE TE Connectivity		
FOR ADDITIONAL PRODUCT INFORMATION OR COPIES OF DRAWINGS AND TECHNICAL DOCUMENTS		DIMENSIONS: mm [INCHES]		CHK JEFF RUTH 28AUG09			
PRODUCT INFORMATION CENTER 1-800-522-6752		TOLERANCES UNLESS OTHERWISE SPECIFIED:		APVD TOM MICHIELUTTI 28AUG09	WIRE TERMINAL PIDG - RING TONGUE WIRE SIZE: 26-22 AWG		
FOR APPLICATION TOOLING ASSISTANCE CENTER TOOLING INFORMATION 1-800-722-1111		MAX RECOMMENDED OPERATING TEMPERATURE: 105°C[221°F] MAX		PRODUCT SPEC -	SIZE		
TOOLING ASSISTANCE CENTER 1-800-722-1111		VOLTAGE RATING: 300 V MAX		APPLICATION SPEC 114-2157	CAGE CODE		
TOOLING ASSISTANCE CENTER 1-800-722-1111		WIRE CROSS SECTIONAL AREA RANGE, 0.10-0.41mm ² [202-810] STRANDED		WEIGHT -	DRAWING NO		
FOR ORDER ENTRY 1-800-526-5142		MATERIAL		CUSTOMER DRAWING	RESTRICTED TO		
		FINISH		SCALE 10:1	SHEET 1 OF 1		
		CALLOUT 6		REV G2			