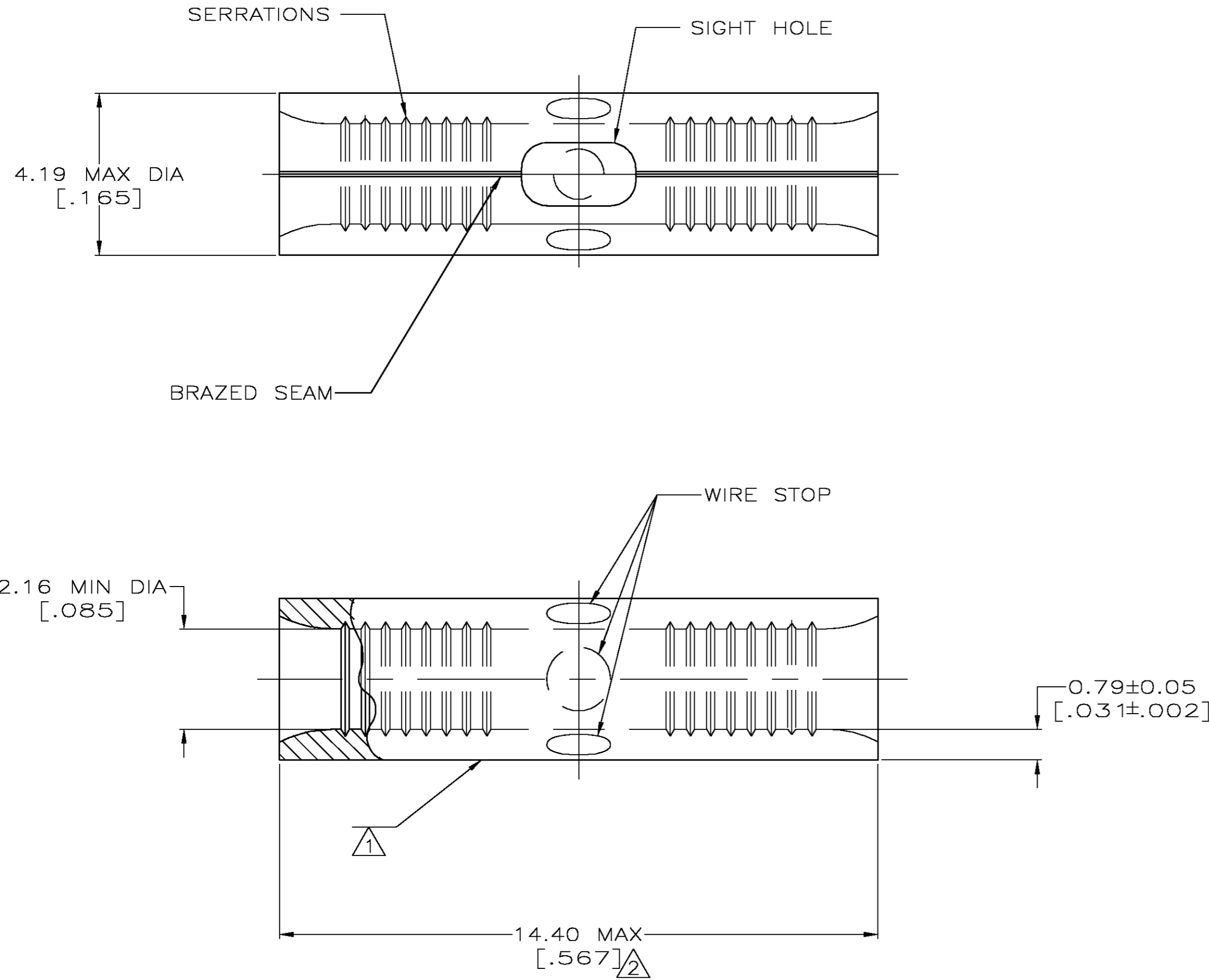


THIS DRAWING IS UNPUBLISHED. RELEASED FOR PUBLICATION
 © COPYRIGHT BY TYCO ELECTRONICS CORPORATION. ALL RIGHTS RESERVED.

LOC	DIST	REVISIONS			
P	LTR	DESCRIPTION	DATE	DWN	APVD
G	14	REV PER 0G3A-0035-05	28FEB05	JR	MJS

AMP WIRE RANGE	Listed FILE E13288	LR7189 Certified
16-14 AWG SOLID OR STRANDED	16-14 AWG SOLID OR STRANDED	16-14 AWG SOLID OR STRANDED



- 1 STAMP AMP 16-14* APPROX AS SHOWN
- 2 MAXIMUM LENGTH DOES NOT INCLUDE MANUFACTURING TABS
- 3 TIN PLATE 0.00254 [0.000100] MIN THK PER ASTM B-545
- 4 GOLD PLATE 0.00127 [0.000050] MIN THK PER ASTM B-488 OVER NICKEL PLATE 0.00127 [0.000050] MIN PER QQ-N-290.
- 5 COPPER PER ASTM B-152, ANNEALED
- 6 PRELIMINARY - NOT FOR PRODUCTION

FINISH	QTY	PACKAGING TYPE	PART NO.
3	100	LOOSE PIECE, BOX	8-330368-1
4	---	LOOSE PIECE	6 330368-1
3	---	LOOSE PIECE	330368

AMP INCORPORATED CUSTOMER SERVICE SYSTEMS		MAX RECOMMENDED OPERATING TEMPERATURE: 170°C MAX
FOR ADDITIONAL PRODUCT INFORMATION OR COPIES OF DRAWINGS AND TECHNICAL DOCUMENTS	PRODUCT INFORMATION CENTER 1-800-522-6752	VOLTAGE RATING: N/A
FOR APPLICATION TOOLING INFORMATION	TOOLING ASSISTANCE CENTER 1-800-722-1111	CIRCULAR MIL AREA: 1.04-2.62mm ² [2,050-5,180] SOLID OR STRANDED
FOR ORDER ENTRY	1-800-526-5142	THIS DRAWING IS A CONTROLLED DOCUMENT FOR AMP INCORPORATED. IT IS SUBJECT TO CHANGE AND THE CONTROLLING ENGINEERING ORGANIZATION SHOULD BE CONTACTED FOR THE LATEST REVISION.

THIS DRAWING IS A CONTROLLED DOCUMENT.		DWN TA BRINKMAN 4-13-93	Tyco Electronics Corporation Harrisburg, Pa 17105-3608	
DIMENSIONS: MM[INCHES]		CHK DA PATTERSON 4-13-93	NAME SPLICE, BUTT, SIGHT HOLE, SOLISTRAND	
TOLERANCES UNLESS OTHERWISE SPECIFIED: 0 PLC ± - 1 PLC ± - 2 PLC ± - 3 PLC ± - 4 PLC ± - ANGLES ± -		APVD JL MECKLEY 4-13-93	SIZE A2	CAGE CODE 00779
MATERIAL - 5		FINISH SEE TABLE	DRAWING NO G=330368	RESTRICTED TO -
		WEIGHT -	SCALE 10:1	SHEET 1 OF 1
		CUSTOMER DRAWING	REV G	