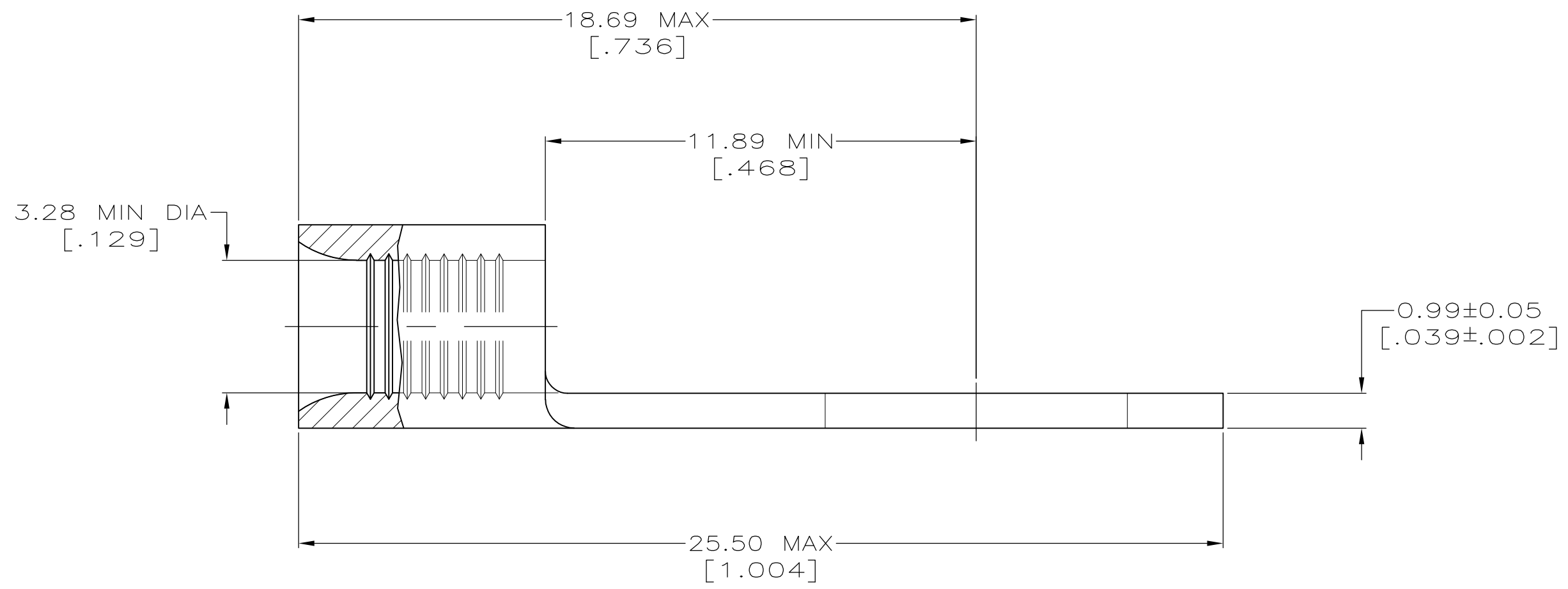
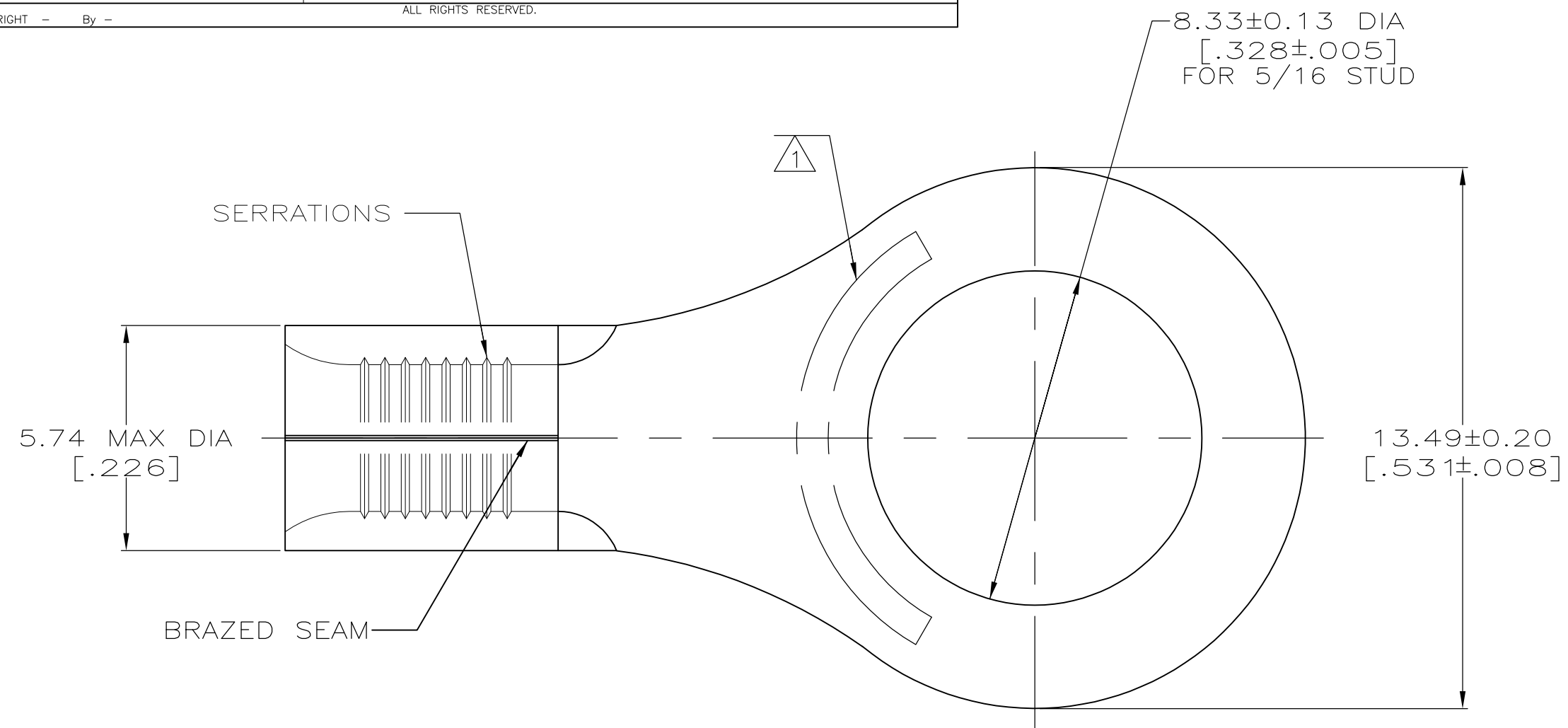


**METRIC**  
 DIMENSIONS LISTED IN mm [ INCHES ]

<b>AMP</b> WIRE RANGE	E13288 Listed
12-10 AWG SOLID OR STRANDED	12-10 AWG STRANDED
LR7189 Certified	MILITARY P/N AND CLASS
12-10 AWG SOLID OR STRANDED	MS20659-106 CLASS 1 & 2 P/N 33459 CLASS 2 P/N 2-33459-6

STAMP AMP 12-10\* APPROX AS SHOWN



----	LOOSE PIECE	UNPLATED, FULLY ANNEALED	33459-4
50	LOOSE PIECE BOX 33459	TIN PLATE 0.00254[.000100] MIN THK PER MIL-T-10727	8-33459-2
OBSOLETE	LOOSE PIECE	UNPLATED	2-33459-9
2500	33459 ON TAPE	TIN PLATE 0.00254[.000100] MIN THK PER MIL-T-10727	2-33459-6
----	LOOSE PIECE	TIN PLATE 0.00254[.000100] MIN THK PER MIL-T-10727	33459
QUANTITY	PACKAGE TYPE	FINISH	PART NO

<b>AMP INCORPORATED CUSTOMER SERVICE SYSTEMS</b>		MAX RECOMMENDED OPERATING TEMPERATURE: 170° C MAX
FOR ADDITIONAL PRODUCT INFORMATION OR COPIES OF DRAWINGS AND TECHNICAL DOCUMENTS	PRODUCT INFORMATION CENTER 1-800-522-6752	VOLTAGE RATING: NOT APPLICABLE
FOR APPLICATION TOOLING INFORMATION	TOOLING ASSISTANCE CENTER 1-800-722-1111	WIRE CROSS SECTIONAL AREA RANGE: 2.62-6.64mm <sup>2</sup> [5,180-13,100] CIR MILS SOLID OR STRANDED
FOR ORDER ENTRY	1-800-526-5142	

THIS DRAWING IS A CONTROLLED DOCUMENT.		DWN TA BRINKMAN 3-17-93	TE Connectivity
DIMENSIONS: mm [INCHES]		CHK DA PATTERSON 3-17-93	
TOLERANCES UNLESS OTHERWISE SPECIFIED:		APVD DE MILLER 3-17-93	NAME TERMINAL, RING TONGUE, SOLISTRAND™
0 PLC ± - 1 PLC ± - 2 PLC ± - 3 PLC ± - 4 PLC ± - ANGLES ± ± -		PRODUCT SPEC APPLICATION SPEC	SIZE A2
MATERIAL COPPER PER ASTM B-152 ANNEALED		FINISH SEE TABLE	CAGE CODE 00779
		WEIGHT -	DRAWING NO G-33459
		CUSTOMER DRAWING	
		RESTRICTED TO	SCALE 8:1 SHEET 1 OF 1 REV M1