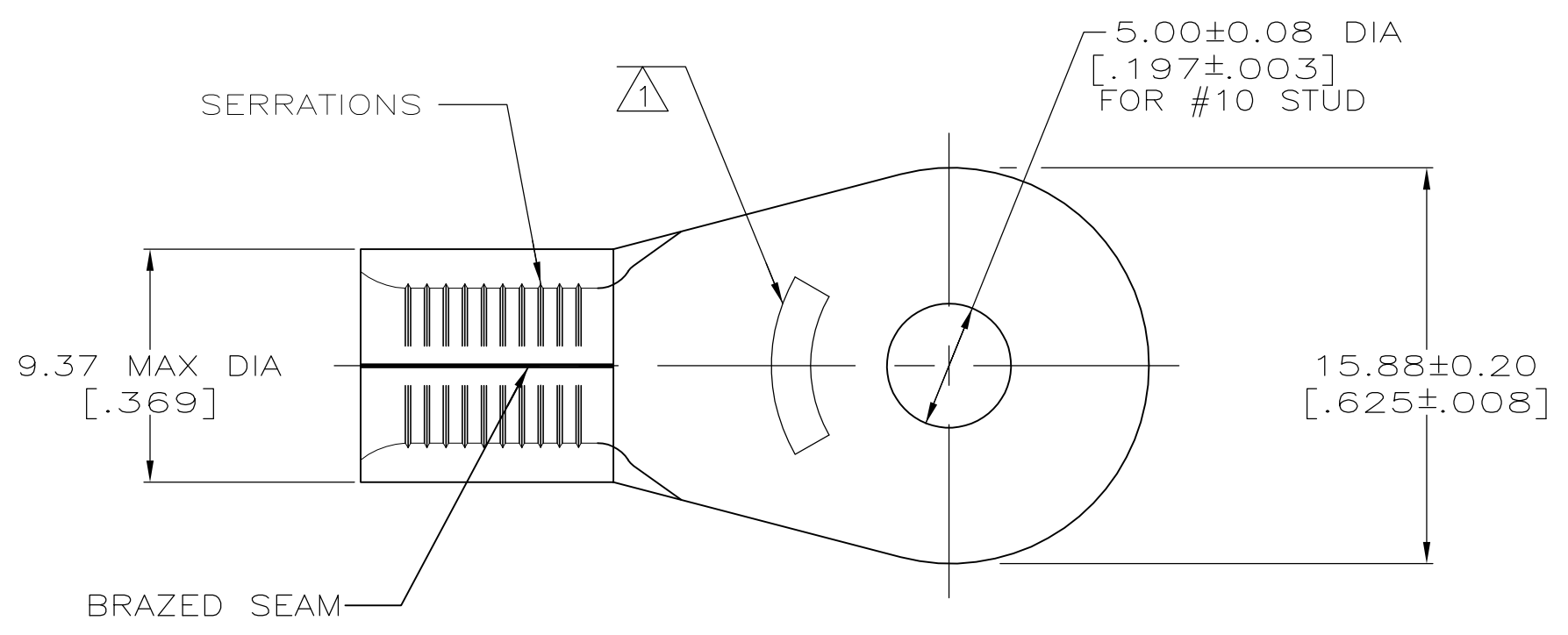
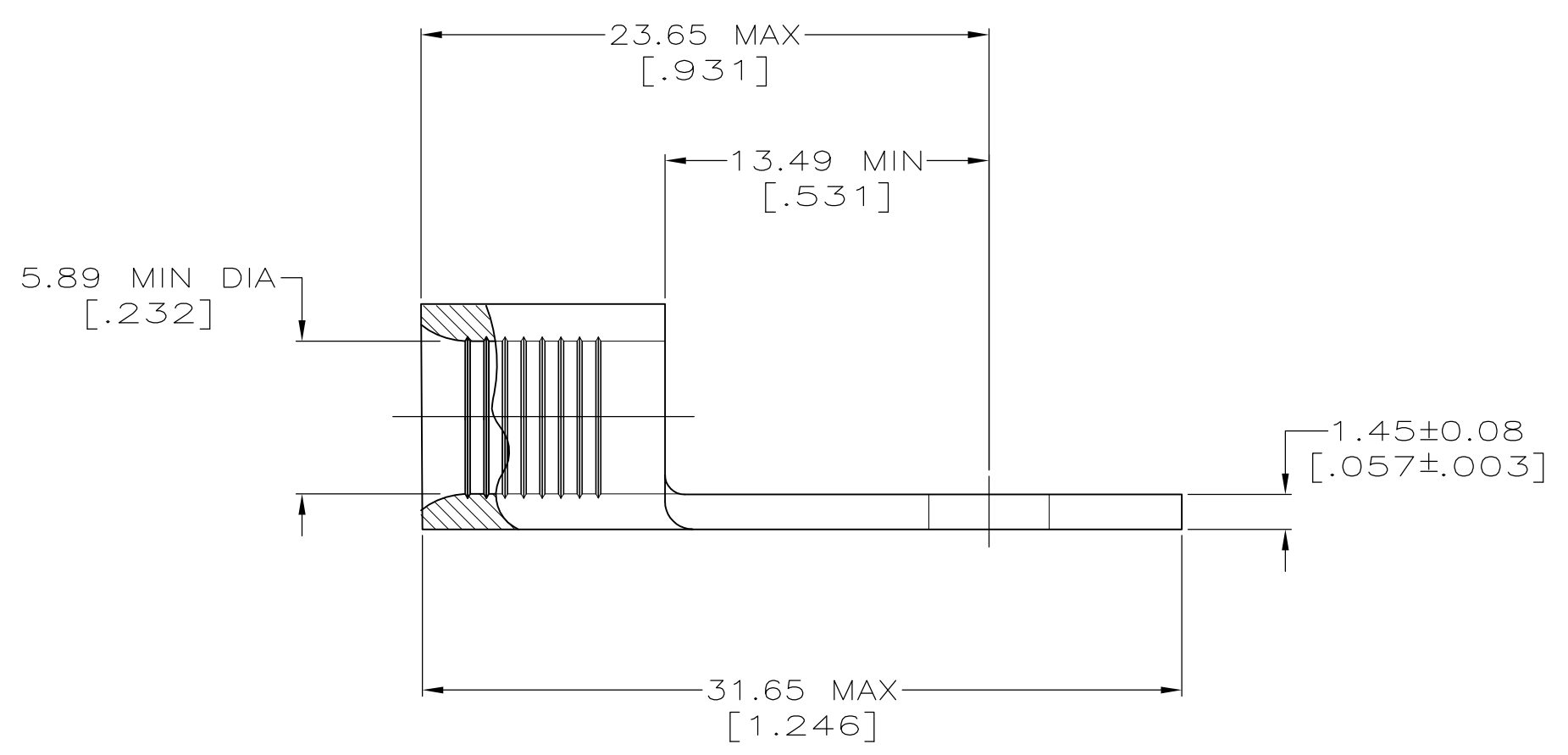


**METRIC**  
 DIMENSIONS LISTED IN mm [ INCHES ]



<b>AMP</b> WIRE RANGE	E13288 Listed
6 AWG SOLID OR STRANDED	6 AWG STRANDED
LR7189 Certified	MILITARY P/N AND CLASS
6 AWG SOLID OR STRANDED	NOT APPLICABLE

STAMP AMP 6\* APPROX AS SHOWN



<b>AMP INCORPORATED CUSTOMER SERVICE SYSTEMS</b>		MAX RECOMMENDED OPERATING TEMPERATURE: 170° C MAX
FOR ADDITIONAL PRODUCT INFORMATION OR COPIES OF DRAWINGS AND TECHNICAL DOCUMENTS	PRODUCT INFORMATION CENTER 1-800-522-6752	VOLTAGE RATING: NOT APPLICABLE
FOR APPLICATION TOOLING INFORMATION	TOOLING ASSISTANCE CENTER 1-800-722-1111	WIRE CROSS SECTIONAL AREA RANGE: 10.5-16.8mm <sup>2</sup> [20,800-33,100] CIR MILS SOLID OR STRANDED
FOR ORDER ENTRY	1-800-526-5142	THIS DRAWING IS A CONTROLLED DOCUMENT FOR AMP INCORPORATED. IT IS SUBJECT TO CHANGE AND THE CONTROLLING ENGINEERING ORGANIZATION SHOULD BE CONTACTED FOR THE LATEST REVISION.

50	LOOSE PIECE, BOX	8-33464-2
750	TAPE MOUNTED	2-33464-2
-	LOOSE PIECE	33464
QUANTITY	PACKAGE TYPE	PART NO
THIS DRAWING IS A CONTROLLED DOCUMENT.		
DWN TA BRINKMAN 3-24-93	TE Connectivity	
CHK DA PATTERSON 3-24-93	NAME DE MILLER	
APVD DE MILLER 3-24-93	PRODUCT SPEC	
APPLICATION SPEC		
WEIGHT		
MATERIAL COPPER PER ASTM B-152 ANNEALED	FINISH TIN PLATE 0.00254[.000100] MIN THK PER MIL-T-10727	RESTRICTED TO
CUSTOMER DRAWING		SCALE 4:1 SHEET 1 of 1 REV H1