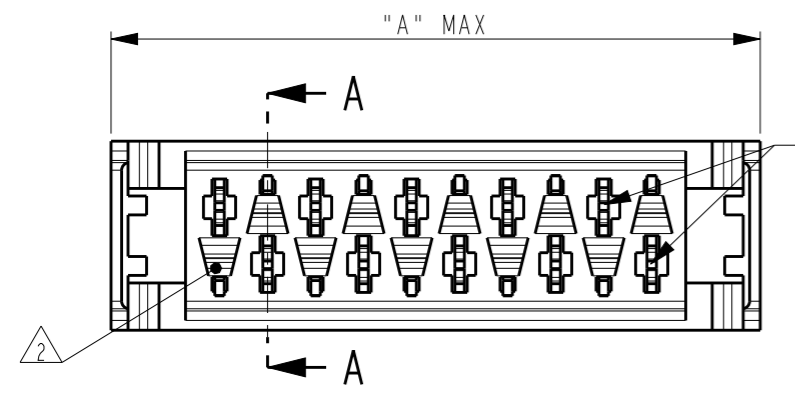


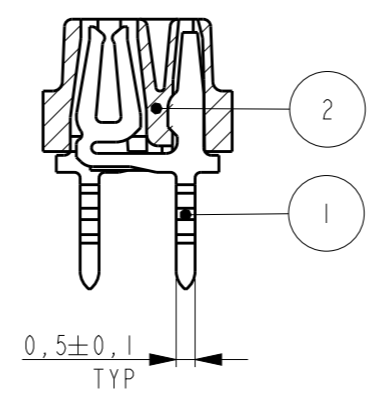
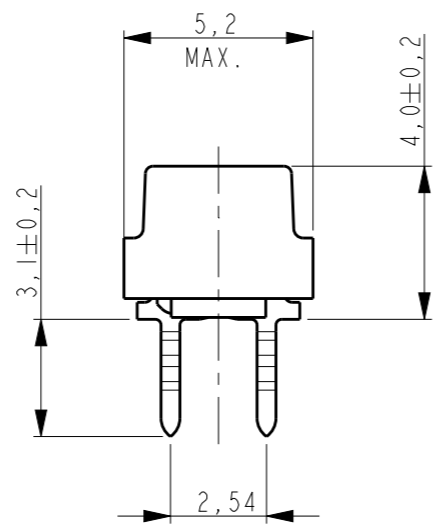
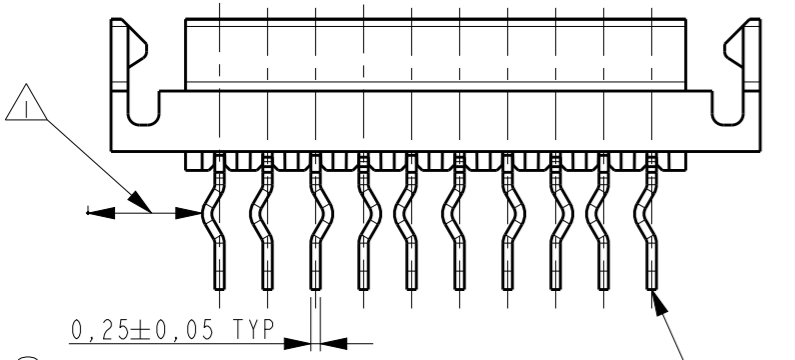
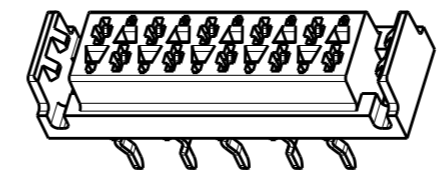
THIS DRAWING IS UNPUBLISHED. RELEASED FOR PUBLICATION
 © COPYRIGHT - BY - ALL RIGHTS RESERVED.

REVISIONS

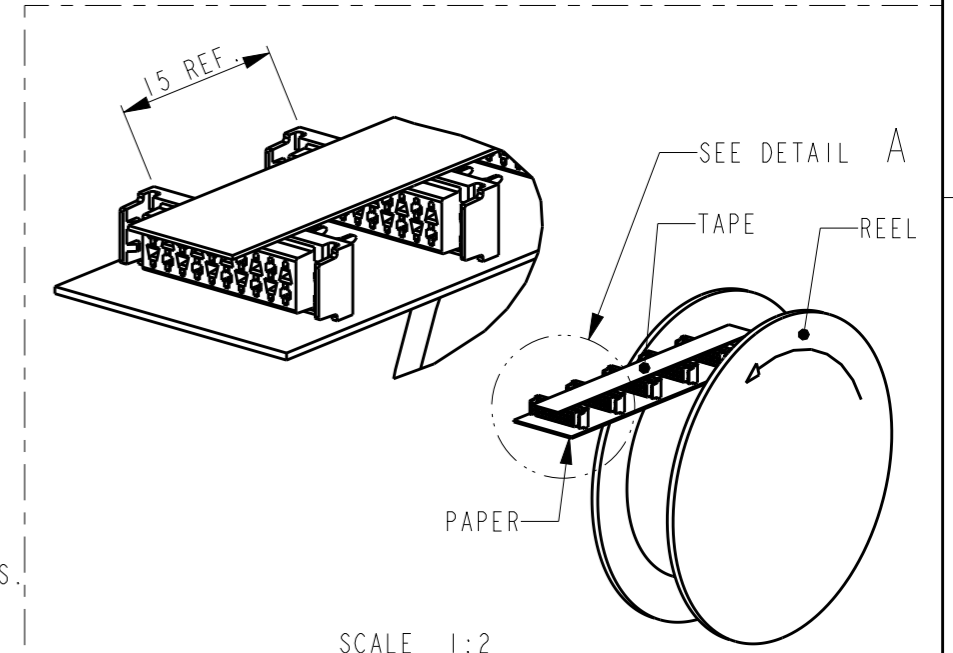
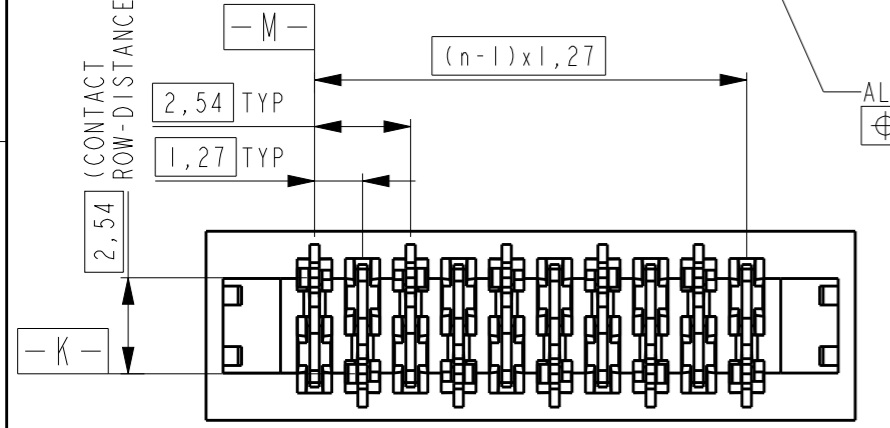
P	LTR	DESCRIPTION	DATE	DWN	APVD
	F1	TAPE WIDTH DIMENSION REMOVED	25JAN2016	SS	PS



REFERENCE MATING INTERFACE PATTERN
 1,27 STAGGERED PITCH x 1,5 ROW DISTANCE.



PART NUMBER REEL PACKAGING	NR OF POS "n"	DIMENSION "A" MAX
338068-4	4	9,7
338068-6	6	12,2
338068-8	8	14,7
1-338068-0	10	17,3
1-338068-2	12	19,8
1-338068-4	14	22,4
1-338068-6	16	24,9
1-338068-8	18	27,4
2-338068-0	20	30,0

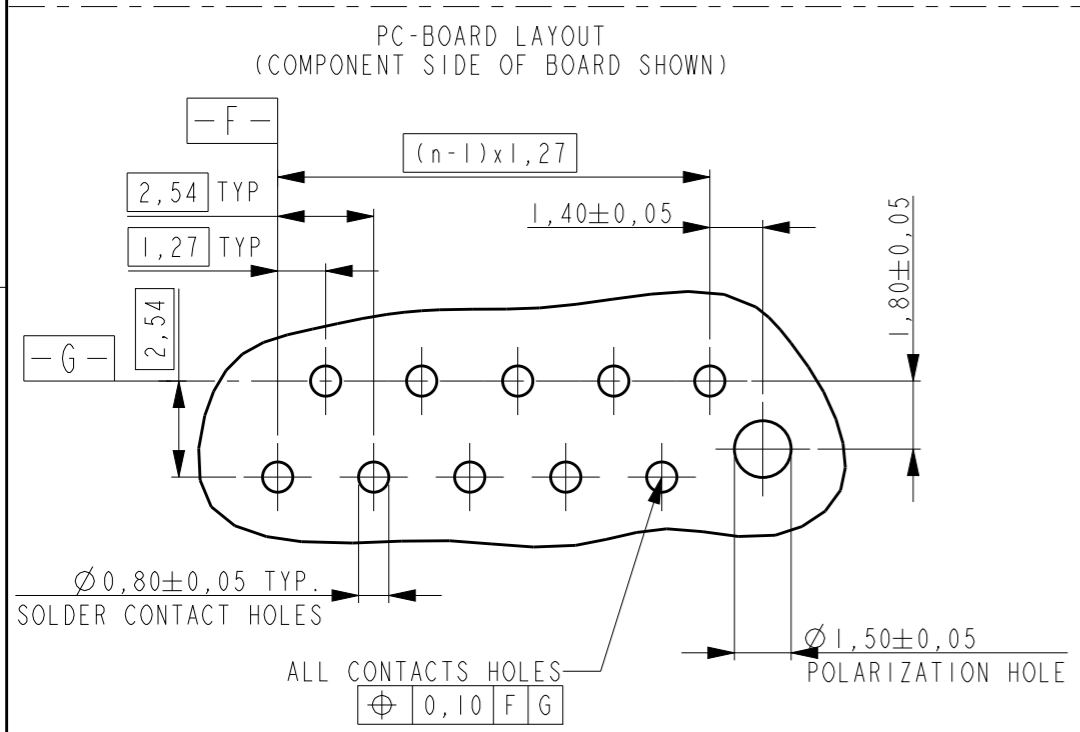


SCALE 1:2
 REEL PACKAGING
 DEREELING DIRECTION AND CONNECTOR POSITION
 2500 CONNECTORS PER REEL FOR ALL PART NUMBERS

NOTES:

- 1 IN EACH ROW, DIRECTION OF KINKS STARTS RANDOM. IN EACH ROW, SEQUENTIAL CONTACTS HAVE OPPOSITE KINK DIRECTIONS.
- 2 CORING-OUTS FOR MANUFACTURING PURPOSE ONLY. SHAPE MAY VARY, BUT IS NOT FUNCTIONAL FOR THE APPLICATION.
- 3 SHOWN IS A 10 POSITION CONNECTOR.

ITEM NO.	DESCRIPTION	MATERIAL	FINISH / COLOR
2	FEMALE HOUSING	G.F.POLYESTER PBT	RED
1	FEMALE CONTACT	PHOSPHOR BRONZE	TIN OVER NICKEL



THIS DRAWING IS A CONTROLLED DOCUMENT.		DWN M. GOSSELINK
DIMENSIONS: mm		CHK -
TOLERANCES UNLESS OTHERWISE SPECIFIED:		APVD -
0 PLC	±	PRODUCT SPEC
1 PLC	±	108-19052
2 PLC	±	APPLICATION SPEC
3 PLC	±	-
4 PLC	±	WEIGHT
ANGLES	±	-
MATERIAL SEE TABLE	FINISH SEE TABLE	Customer Drawing

STE TE Connectivity

NAME
CONNECTOR, FEMALE-ON-BOARD TOP-ENTRY, THRU-HOLE, WITH LATCHES, Micro-Match

SIZE A3	CAGE CODE 00779	DRAWING NO C-338068	RESTRICTED TO -
------------	--------------------	------------------------	--------------------

SCALE 5:1 SHEET 1 OF 1 REV F1