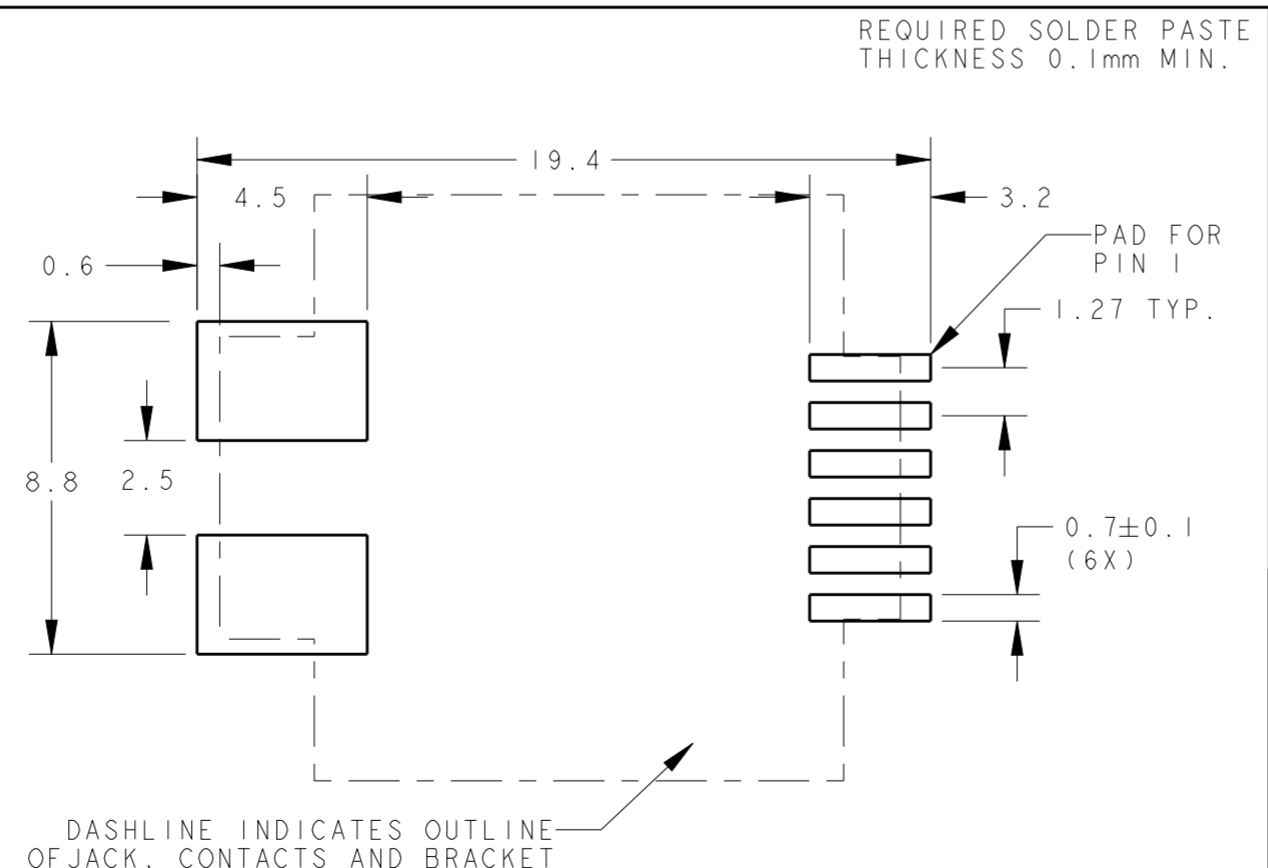
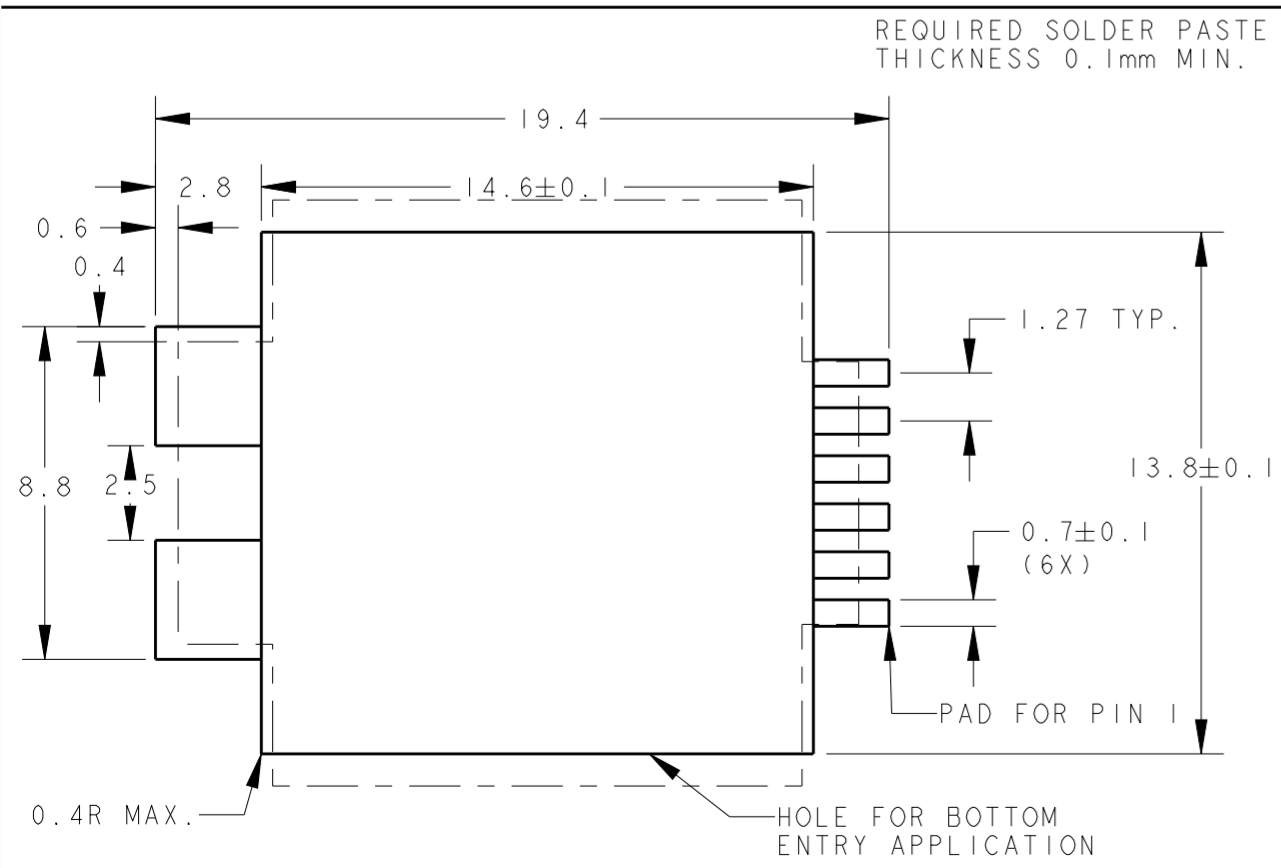
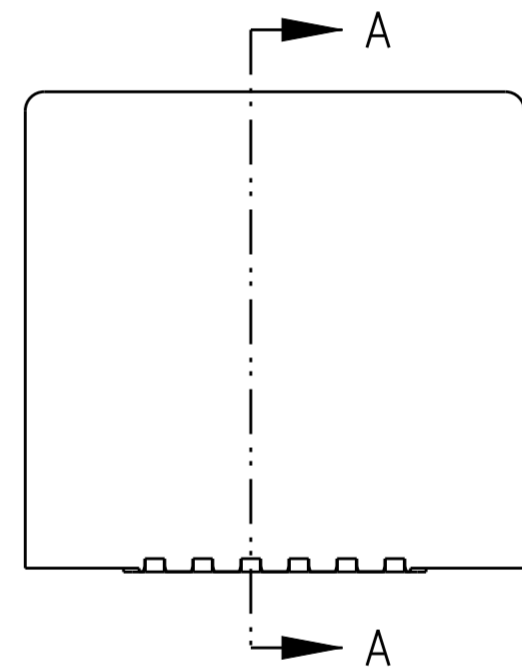
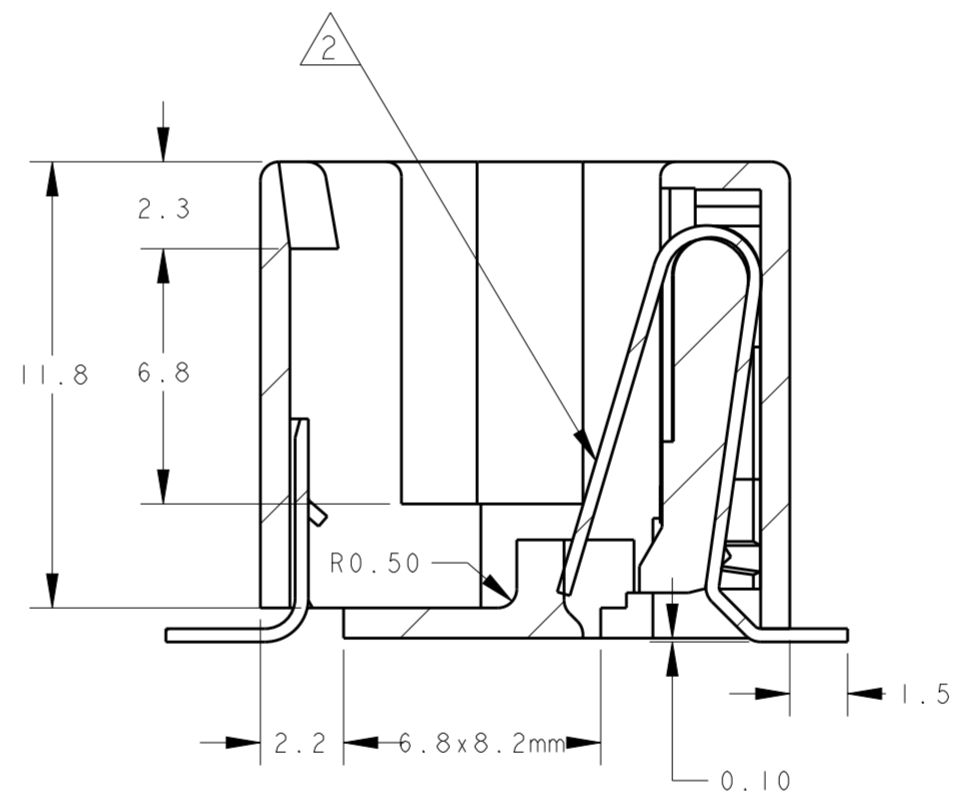
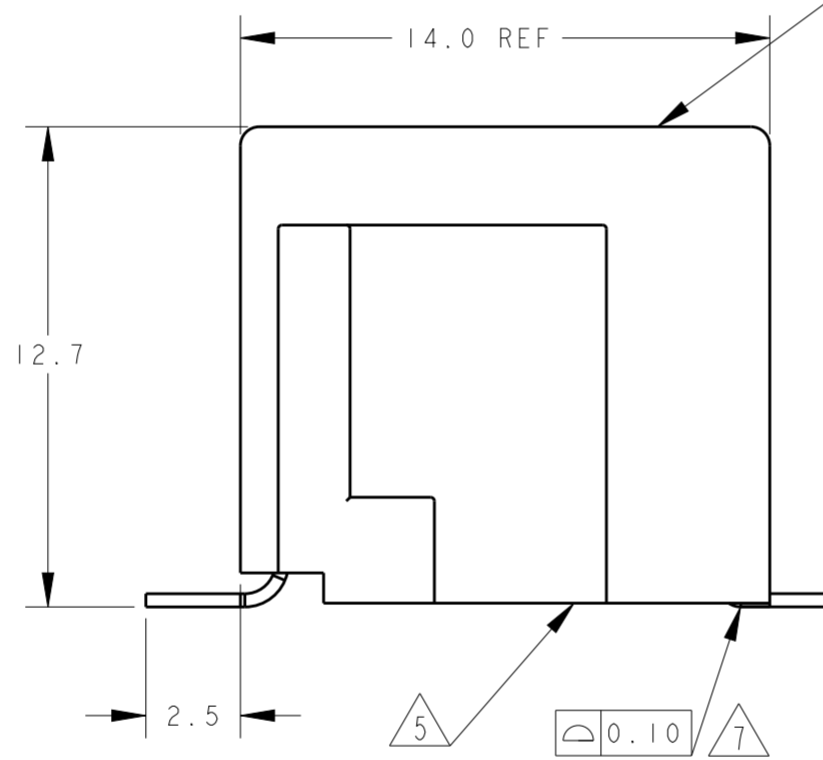
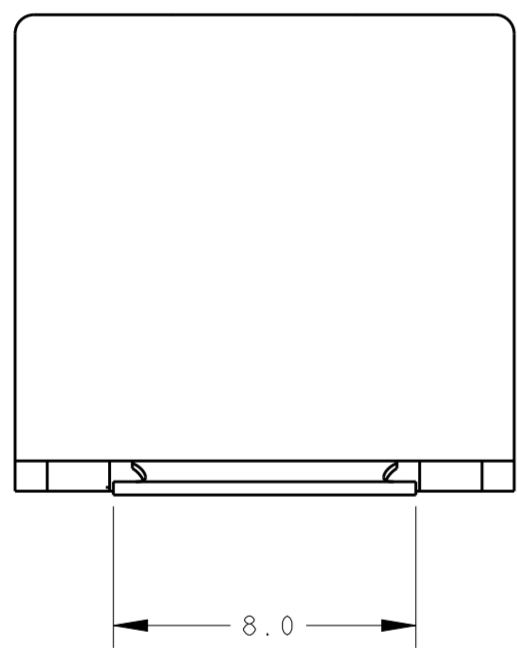
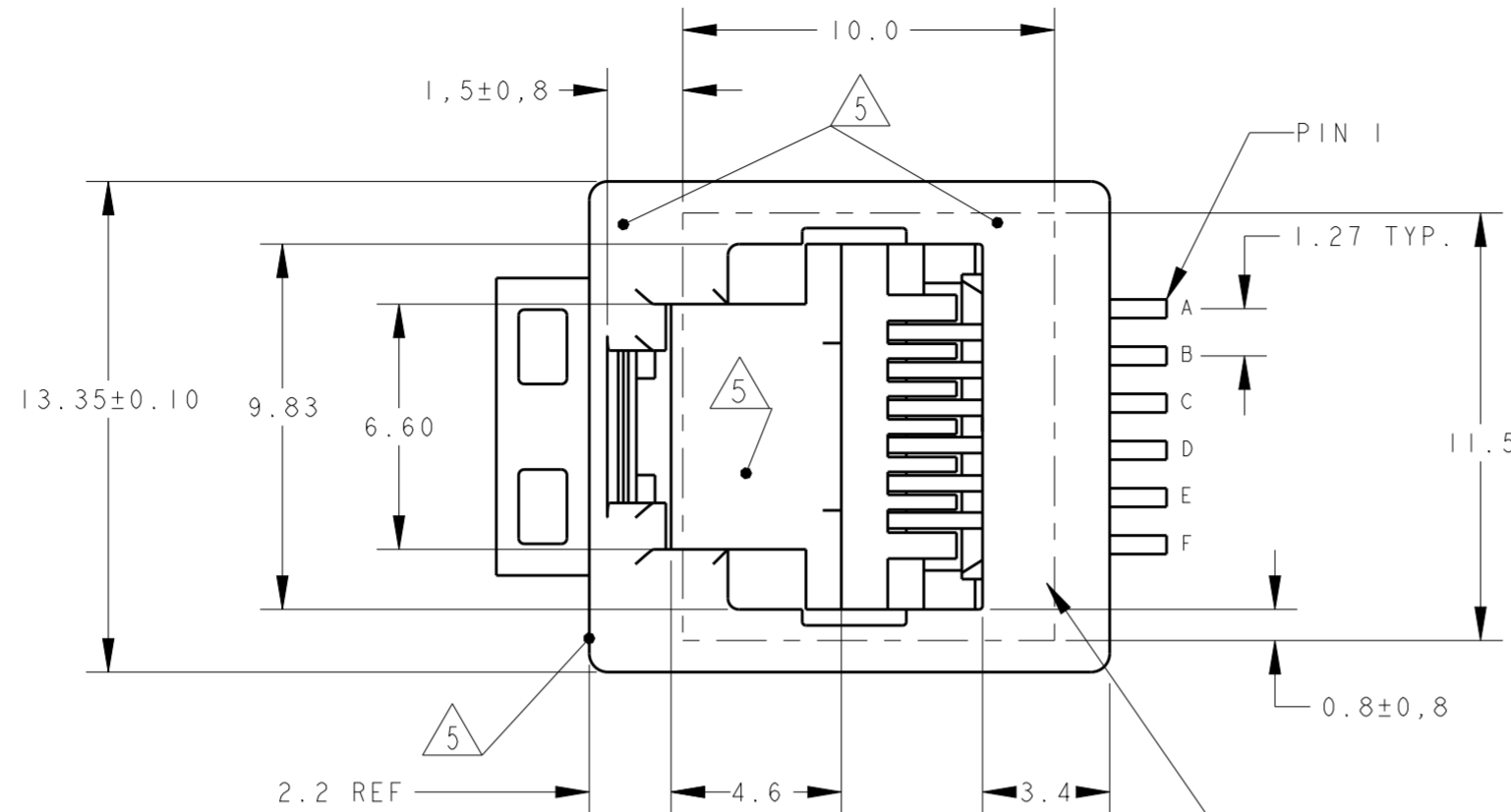
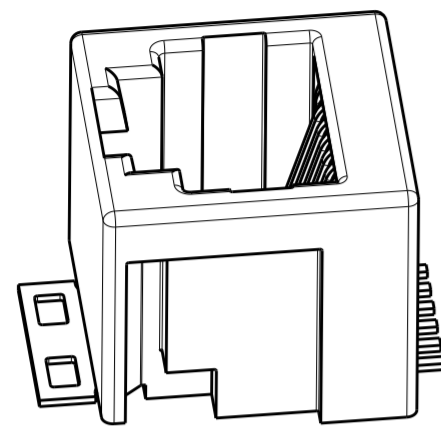


THIS DRAWING IS UNPUBLISHED. RELEASED FOR PUBLICATION
 © COPYRIGHT - TE CONNECTIVITY ALL RIGHTS RESERVED.

LOC		DIST		REVISIONS			
P	LTR	DESCRIPTION	DATE	DWN	APVD		
Y		HOUSING RIB STRENGTHENED, RAW MATERIAL CHANGED TO PA4T	06JAN2012	PS	RRP		
Z		ECO-16-001320	14JUN2016	AD	SH		

NOTES:

- 1 TOLERANCES UNLESS OTHERWISE SPECIFIED: ± 0.15 .
- 2 **CONTACT PLATING:**
 OVERALL: Ni 1.27 μ m MIN. ALL OVER THE CONTACTS
 SOLDER ZONE: Sn 3.5-5.0 μ m ON THE SOLDER ZONE OF THE CONTACT
 MATING ZONE: PLATING CONFIRMS TO PRODUCT REQUIREMENTS AS PER SPECIFICATION 108-19117
- 3 **MATERIALS:**
 HOUSING: 30% G.F. LCP, COLOR BLACK, UL 94V-0.
 CONTACTS: PHOSPHOR BRONZE
 SOLDER BRACKET: TINPLATED BRASS WITH NICKEL UNDERPLATE.
- 4 THIS JACK CAN ALSO BE APPLIED HANGING THROUGH A HOLE, IN A PRINTED CIRCUIT BOARD. SEE LEFT PCB LAYOUT.
- 5 SURFACE CAN BE USED FOR PICKING THE MODULAR JACK WITH, TYPE 11 SMD MACHINE.
- 6 ON 1-338086-4 AND 2-338086-4 ONLY CONTACTS B,C,D & E ARE INSTALLED.
- 7 COPLANARITY MEASURED AT HEEL OF CONTACTS
 COPLANARITY AT TIPS OF CONTACTS MAX. 0.18 mm
- 8 TAPE AND REEL PACKAGING ACCORDING TO EIA 481-3 SPECIFICATIONS.
- 9 INCLUDES KAPTON TAPE (10x11,5mm) ON TOP SURFACE AS PICK AND PLACE FEATURE.
- 10 OBSOLETE PARTS: OBSOLETE CIS STREAMLINIG PER D. RENAUD/D.SINSI



REMARKS	PACKAGING	PART NUMBER
OBSOLETE 6 POS./6 CONT.	750 PCS ON \varnothing 560mm OD REEL.	2-338086-5
6 POS./4 CONT.	750 PCS ON \varnothing 560mm OD REEL.	2-338086-4
6 POS./6 CONT.	TOP ENTRY ORIENTATION PER DETAIL B1	2-338086-3
6 POS./4 CONT.	300 PCS ON \varnothing 360mm OD REEL.	1-338086-7
6 POS./6 CONT.	TOP ENTRY ORIENTATION PER DETAIL B1	1-338086-6
6 POS./6 CONT.	300 PCS ON \varnothing 360mm OD REEL.	1-338086-5
6 POS./4 CONT.	BOTTOM ENTRY ORIENTATION PER DETAIL B2	1-338086-5
6 POS./4 CONT.	300 PCS ON \varnothing 360mm OD REEL.	1-338086-4
6 POS./6 CONT.	TOP ENTRY ORIENTATION PER DETAIL B1	1-338086-3

THIS DRAWING IS A CONTROLLED DOCUMENT.

DWN: E.v.EIJK 22-Nov-96
 CHK: E. STELLINGA DEC-96

APVD: R. SMEETS

PRODUCT SPEC: 108-19117
 APPLICATION SPEC: 114-19041

MATERIAL: SEE NOTE 3 -
 FINISH: SEE NOTE 2 -

SCALE: 1:1

SHEET 1 OF 2

REV 7

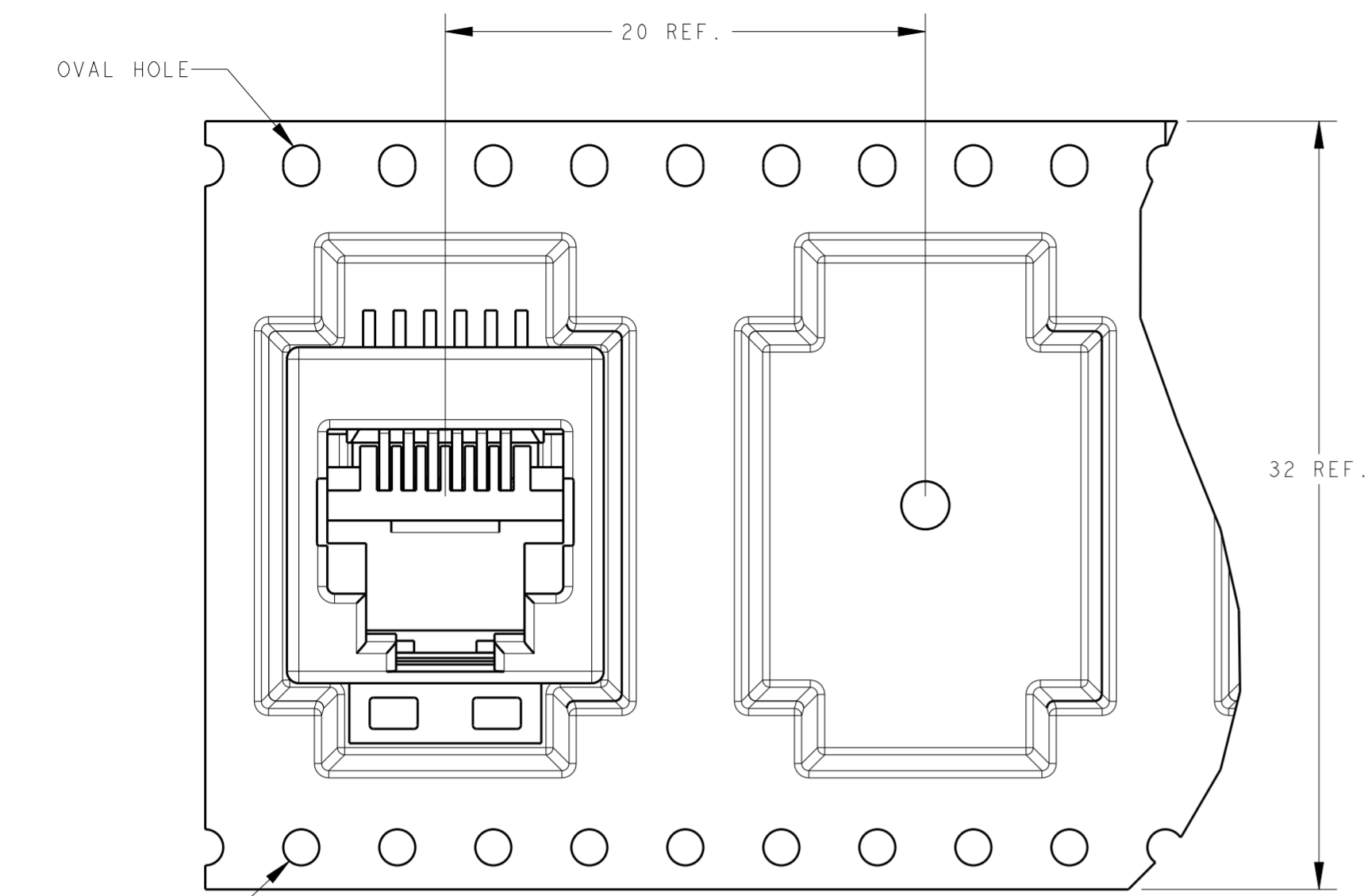
STE TE Connectivity

INVERTIBLE MODULAR JACK ASSEMBLY
 SURFACE MOUNT APPLICATION
 6/6 AND 6/4 POSITION LINE

SIZE: A2
 CAGE CODE: 0779
 DRAWING NO: C-338086

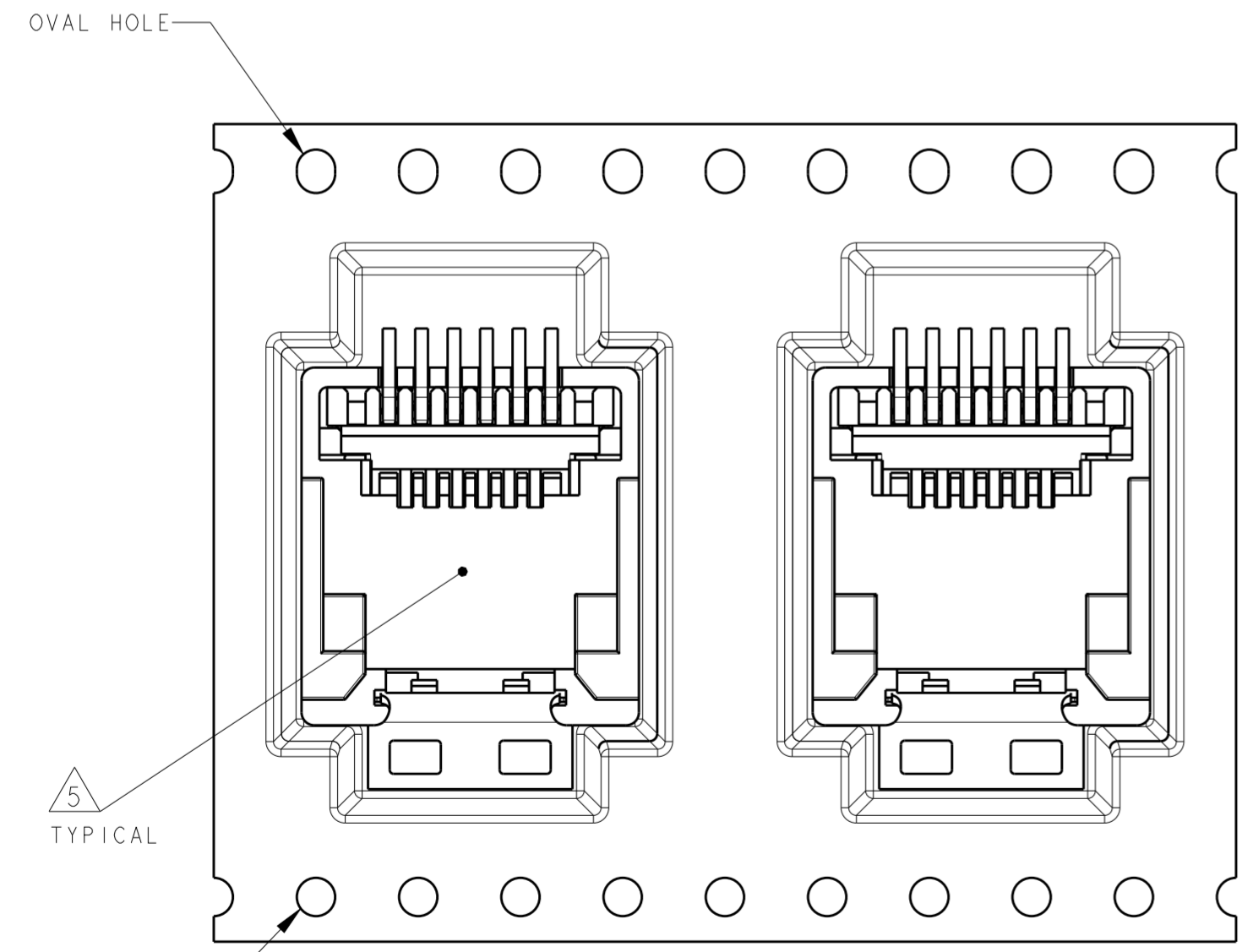
THIS DRAWING IS UNPUBLISHED. RELEASED FOR PUBLICATION
 © COPYRIGHT - TE CONNECTIVITY ALL RIGHTS RESERVED.

LOC	DIST	REVISIONS			
P	LTR	DESCRIPTION	DATE	DWN	APVD
IR	-	SEE SHEET 1	-	-	-



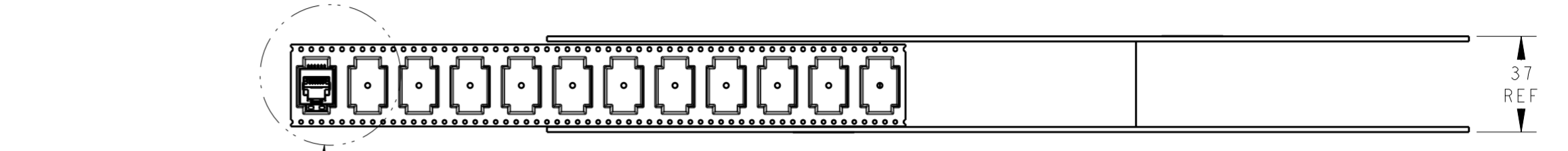
TOP ENTRY ORIENTATION.

DETAIL B1
SCALE 4:1

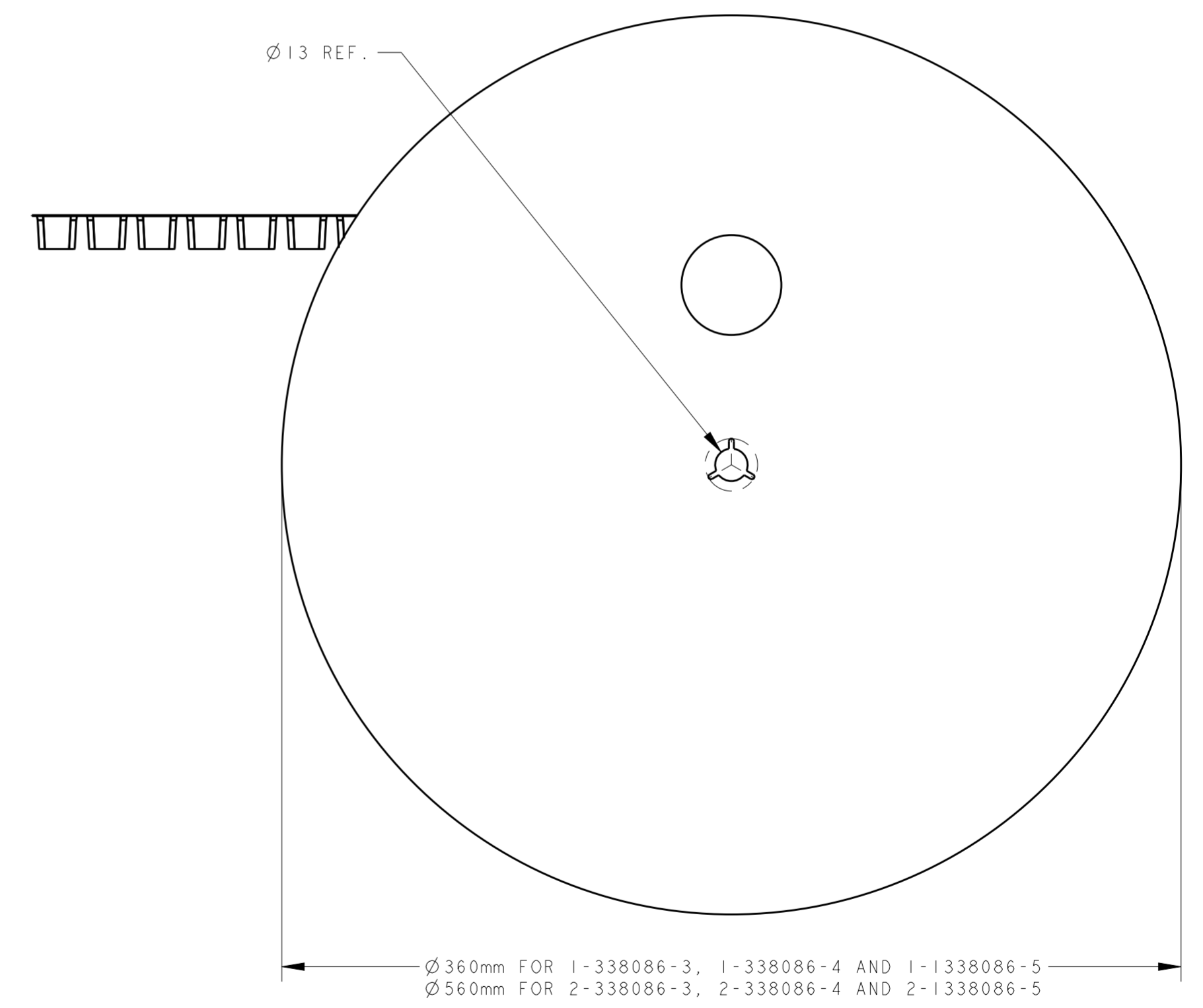


BOTTOM ENTRY ORIENTATION.

DETAIL B2
SCALE 4:1



SEE DETAIL B1 & B2



Ø13 REF.

Ø360mm FOR 1-338086-3, 1-338086-4 AND 1-1338086-5
 Ø560mm FOR 2-338086-3, 2-338086-4 AND 2-1338086-5

THIS DRAWING IS A CONTROLLED DOCUMENT.		DWN E.V.EIJK 22-Nov-96	TE Connectivity	
DIMENSIONS: mm		CHK R.SMEETS DEC-96		
TOLERANCES UNLESS OTHERWISE SPECIFIED:		APVD R.SMEETS	NAME INVERTIBLE MODULAR JACK ASSEMBLY SURFACE MOUNT APPLICATION 6/6 AND 6/4 POSITION LINE	
0 PLC ± 1 PLC ± 2 PLC ± 3 PLC ± 4 PLC ± ANGLES ± FINISH		PRODUCT SPEC 108-19117	SIZE A2	CAGE CODE 0779
MATERIAL		APPLICATION SPEC 114-19041	DRAWING NO C-338086	RESTRICTED TO
		WEIGHT	SCALE 1:2 SHEET 2 OF 2 REV 7	
		CUSTOMER DRAWING		