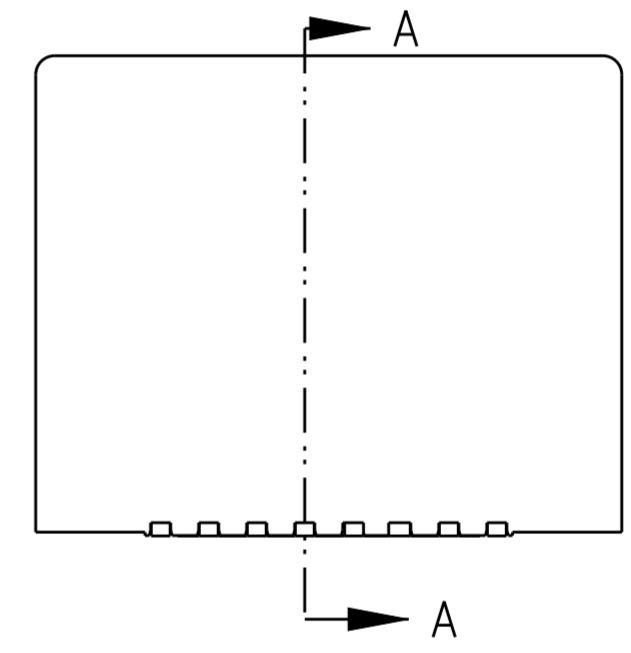
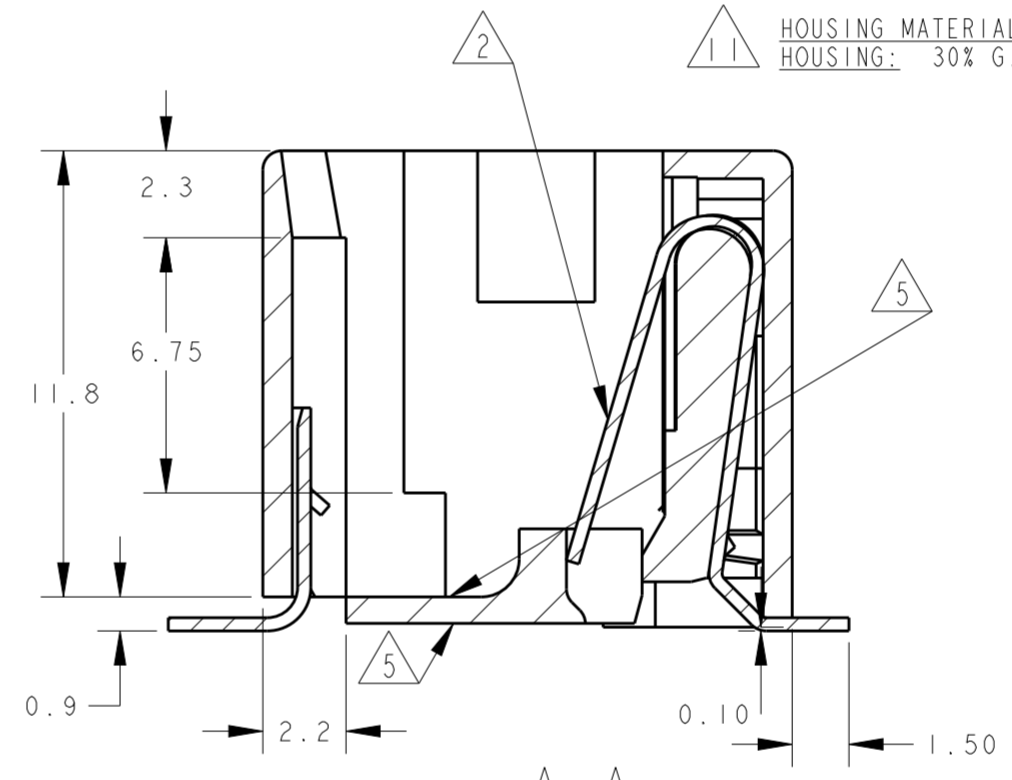
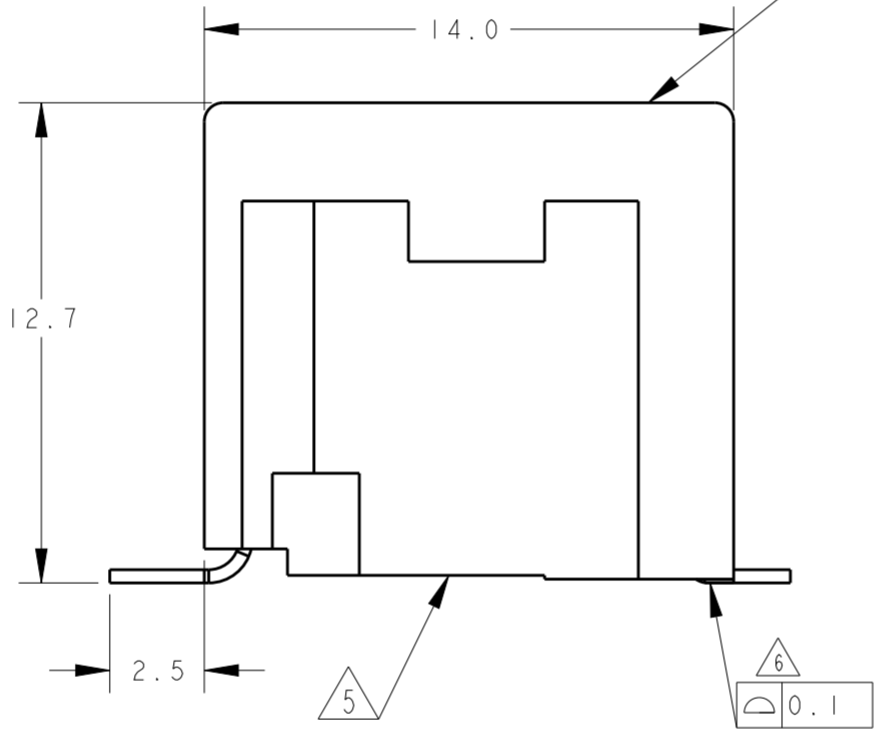
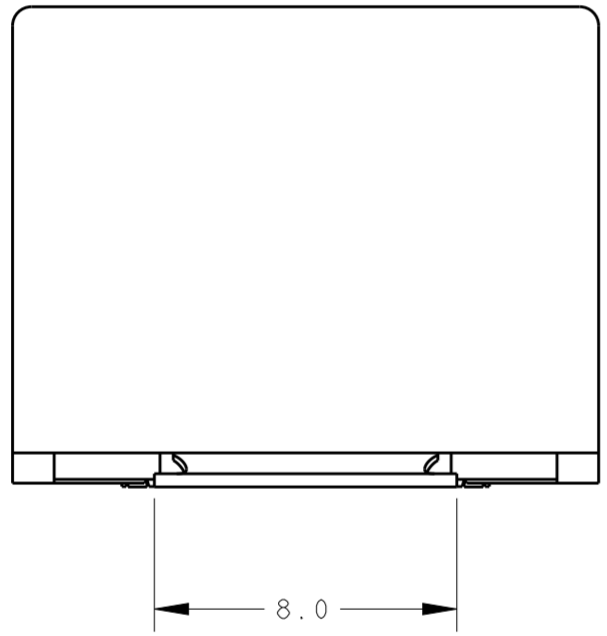
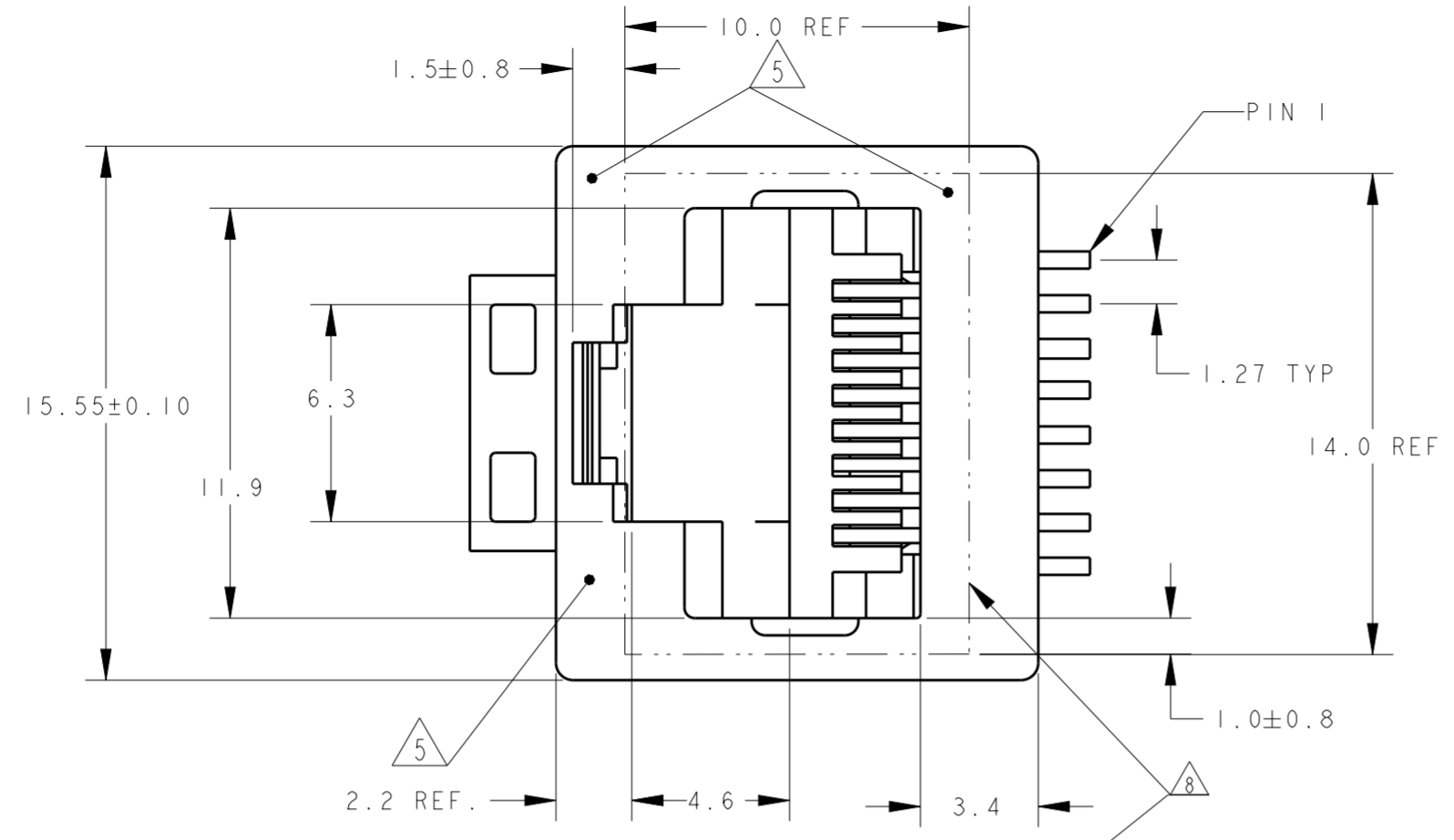
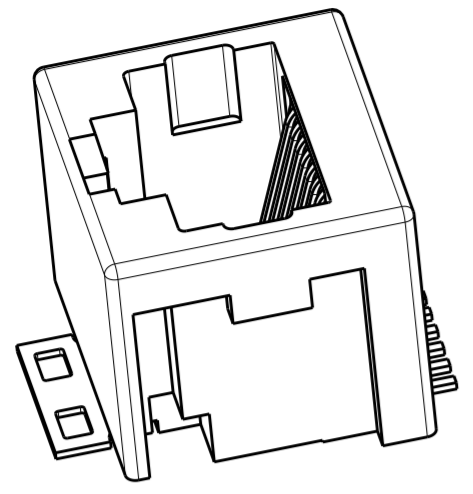
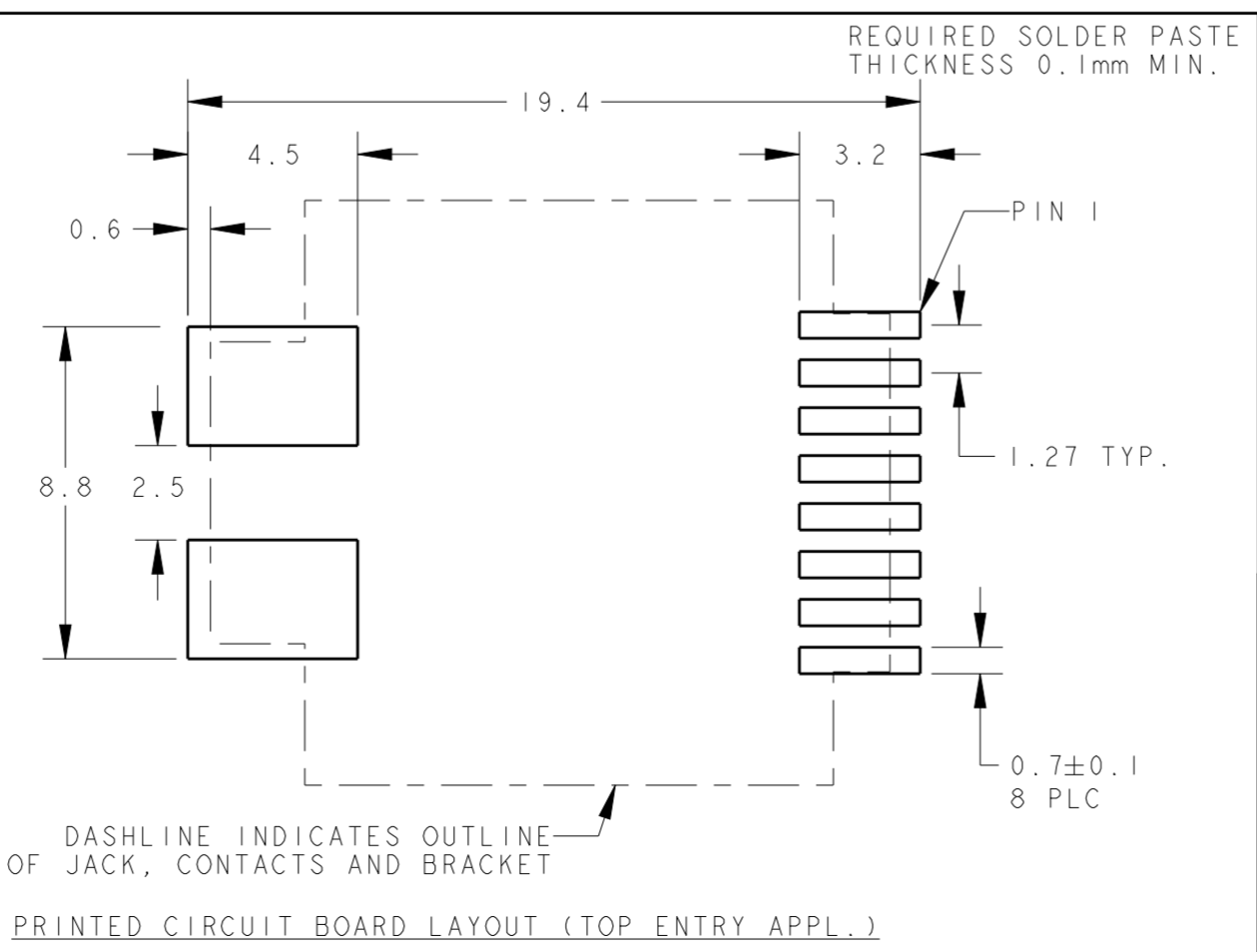
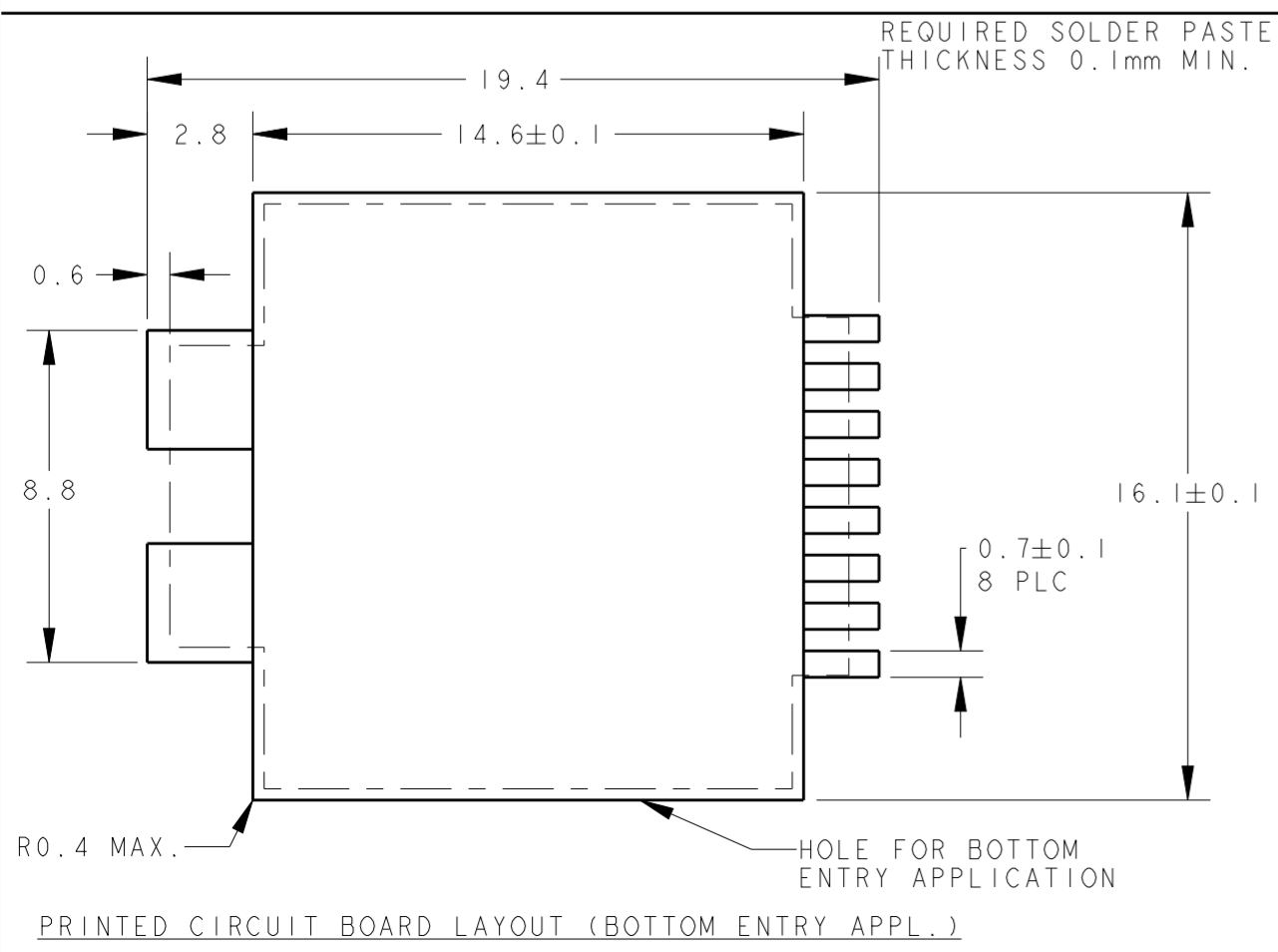


THIS DRAWING IS UNPUBLISHED. RELEASED FOR PUBLICATION
 © COPYRIGHT - TE CONNECTIVITY ALL RIGHTS RESERVED.

LOC		DIST		REVISIONS			
P	LTR	DESCRIPTION	DATE	DWN	APVD		
	Y	ECO-11-025237	06JAN2012	PS	RRP		
	Y1	E-14-013001	01SEP2014	CW	SH		
	Y2	ECO-16-001320	13JUN2016	AD	SH		



- NOTES:
- TOLERANCES UNLESS OTHERWISE SPECIFIED: ± 0.15 .
 - CONTACT PLATING:
OVERALL: Ni 1.27 μ m MIN. ALL OVER THE CONTACTS
SOLDER ZONE: Sn 3.5-5.0 μ m ON THE SOLDER ZONE OF THE CONTACT
MATING ZONE: PLATING CONFIRMS TO PRODUCT REQUIREMENTS AS PER SPECIFICATION 108-19117
 - CONTACT AND BRACKET MATERIAL:
CONTACTS: PHOSPHOR BRONZE
SOLDER BRACKET: TINPLATED BRASS WITH NICKEL UNDERLAYER.
 - THIS JACK CAN ALSO BE APPLIED HANGING THROUGH A HOLE, IN A PRINTED CIRCUIT BOARD. SEE LEFT PCB LAYOUT.
 - SURFACE CAN BE USED FOR PICKING THE MODULAR JACK WITH, TYPE 11 SMD MACHINE.
 - MEASURED AT HEEL OF CONTACTS, COPLANARITY AT TIPS MAX. 0.18mm.
 - TAPE AND REEL PACKAGING ACCORDING TO EIA 481-3 SPECIFICATIONS.
 - INCLUDES KAPTON TAPE (10mm x 14mm) ON TOP SURFACE FOR PICK AND PLACE UNIT
 - OBSOLETE
 - HOUSING MATERIAL:
HOUSING: 30% G.F. PA4T(HALOGEN FREE), COLOR BLACK, UL 94V-0.
 - HOUSING MATERIAL:
HOUSING: 30% G.F. LCP(HALOGEN FREE), COLOR BLACK, UL 94V-0.



REMARKS	PACKAGING	PART NUMBER
8 POSN./8 CONTACT	250PCS ON $\varnothing 360$ mm OD REEL TOP ENTRY ORIENTATION PER DETAIL B1 WITH KAPTON TAPE FOR PICK AND PLACING	4-338088-3
8 POSN./8 CONTACT	250 PCS ON $\varnothing 360$ mm OD REEL TOP ENTRY ORIENTATION PER DETAIL B1	3-338088-3
8 POS./8 CONTACT	250PCS ON $\varnothing 360$ mm OD REEL TOP ENTRY ORIENTATION PER DETAIL B1 WITH KAPTON TAPE FOR PICK AND PLACING	1-338088-6
8 POSN./8 CONTACT	250 PCS ON $\varnothing 360$ mm OD REEL BOTTOM ENTRY ORIENTATION PER DETAIL B2	1-338088-5
8 POSN./8 CONTACT	500 PCS ON $\varnothing 560$ mm OD REEL TOP ENTRY ORIENTATION PER DETAIL B1	2-338088-3
8 POSN./8 CONTACT	250 PCS ON $\varnothing 360$ mm OD REEL TOP ENTRY ORIENTATION PER DETAIL B1	1-338088-3

THIS DRAWING IS A CONTROLLED DOCUMENT.

DWN: E.v.FLJK 30-Sep-96
 CHK: E. STELLINGA Dec-96
 APVD: R. SMEETS

TE Connectivity

INVERTIBLE MODULAR JACK,
8 POSITION
SURFACE MOUNT APPLICATION

SIZE: A2 CAGE CODE: 0779 DRAWING NO: C-338088 RESTRICTED TO: -

MATERIAL: SEE NOTE 3- TOLERANCES UNLESS OTHERWISE SPECIFIED: SEE NOTE 2- FINISH: ±

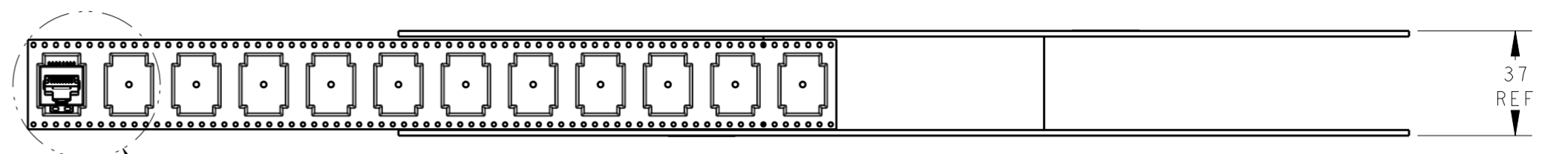
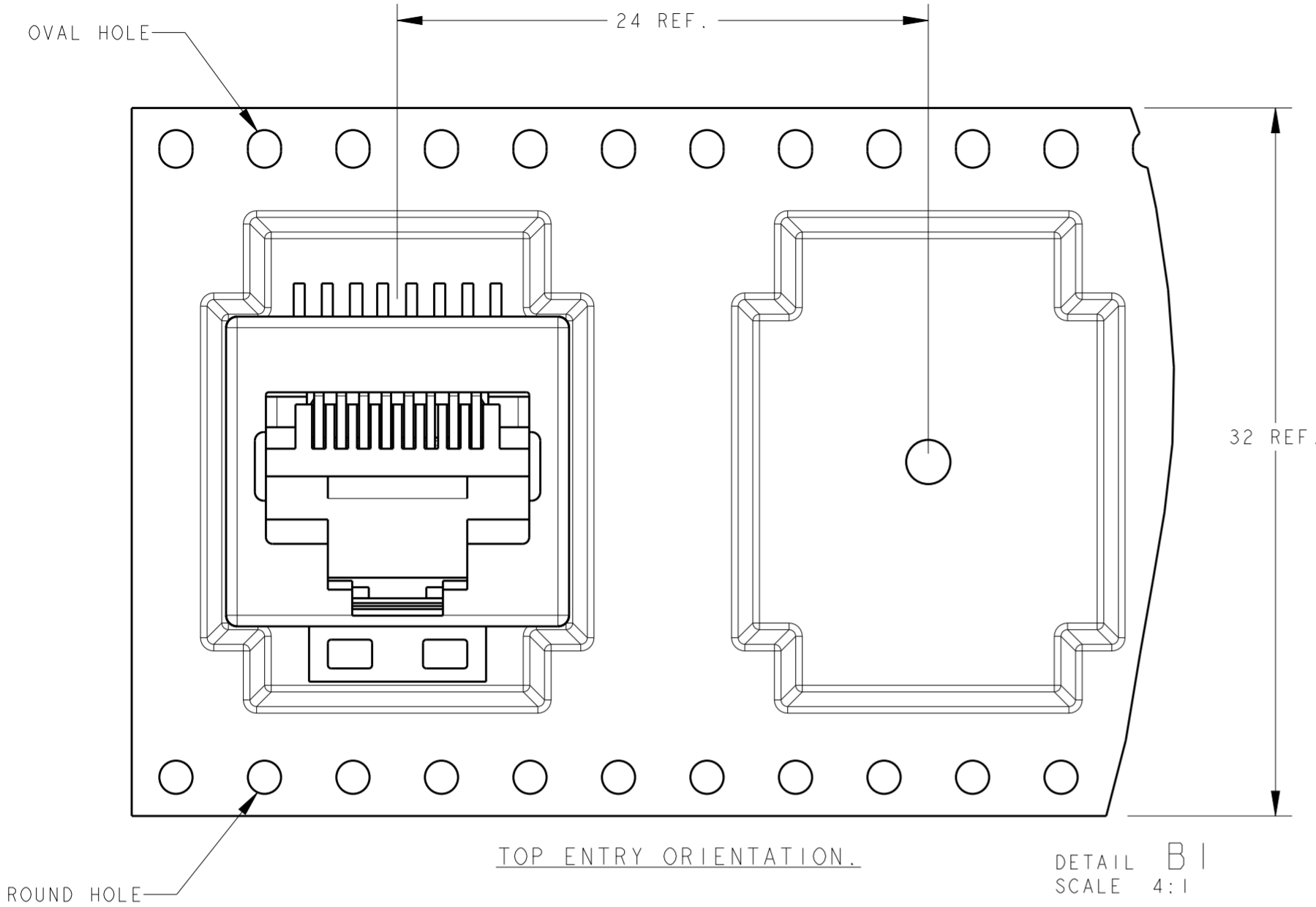
0 PLC ±
 1 PLC ±
 2 PLC ±
 3 PLC ±
 4 PLC ±
 ANGLES ±

PRODUCT SPEC: 108-19117
 APPLICATION SPEC: 114-19041
 WEIGHT: 2.1 gr

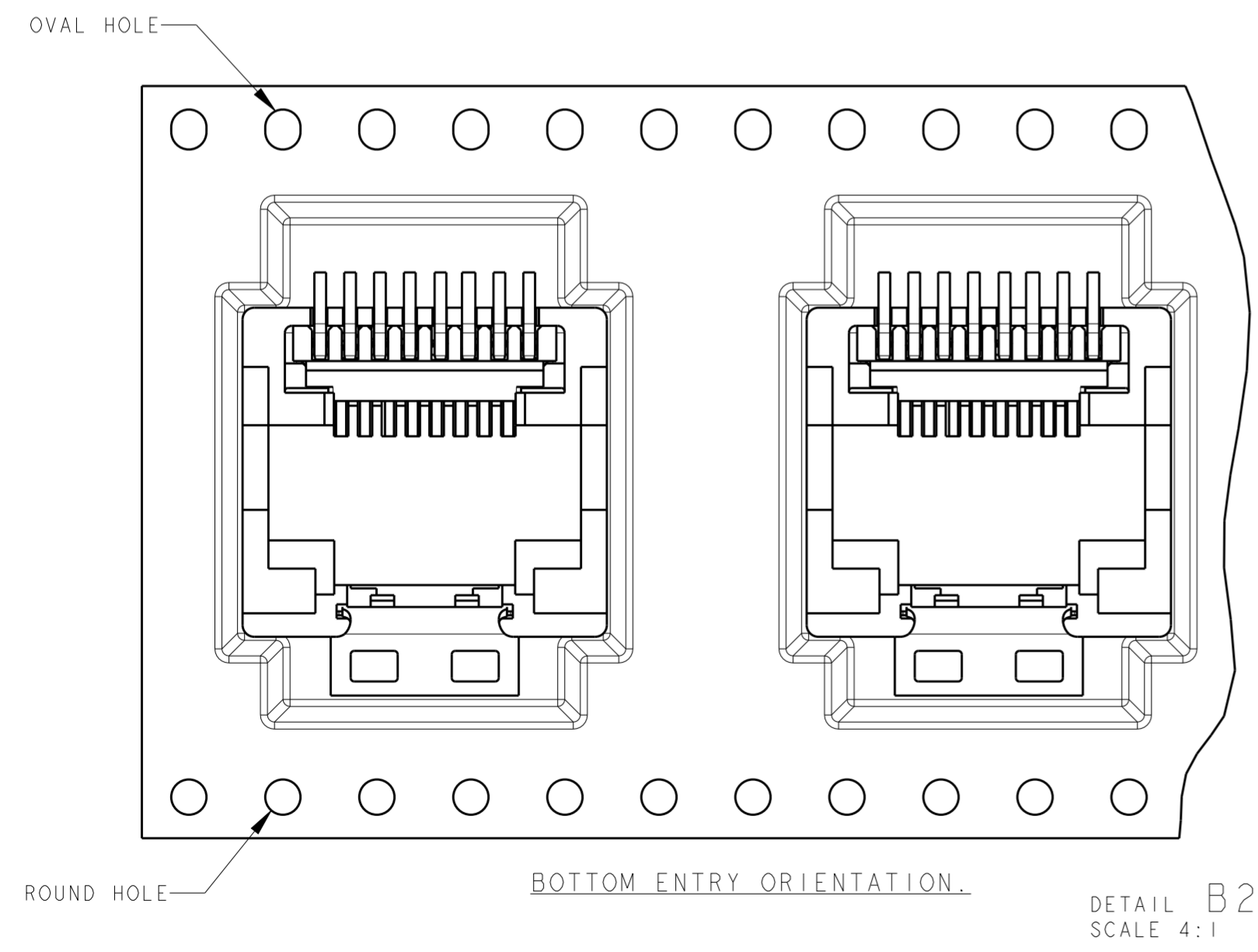
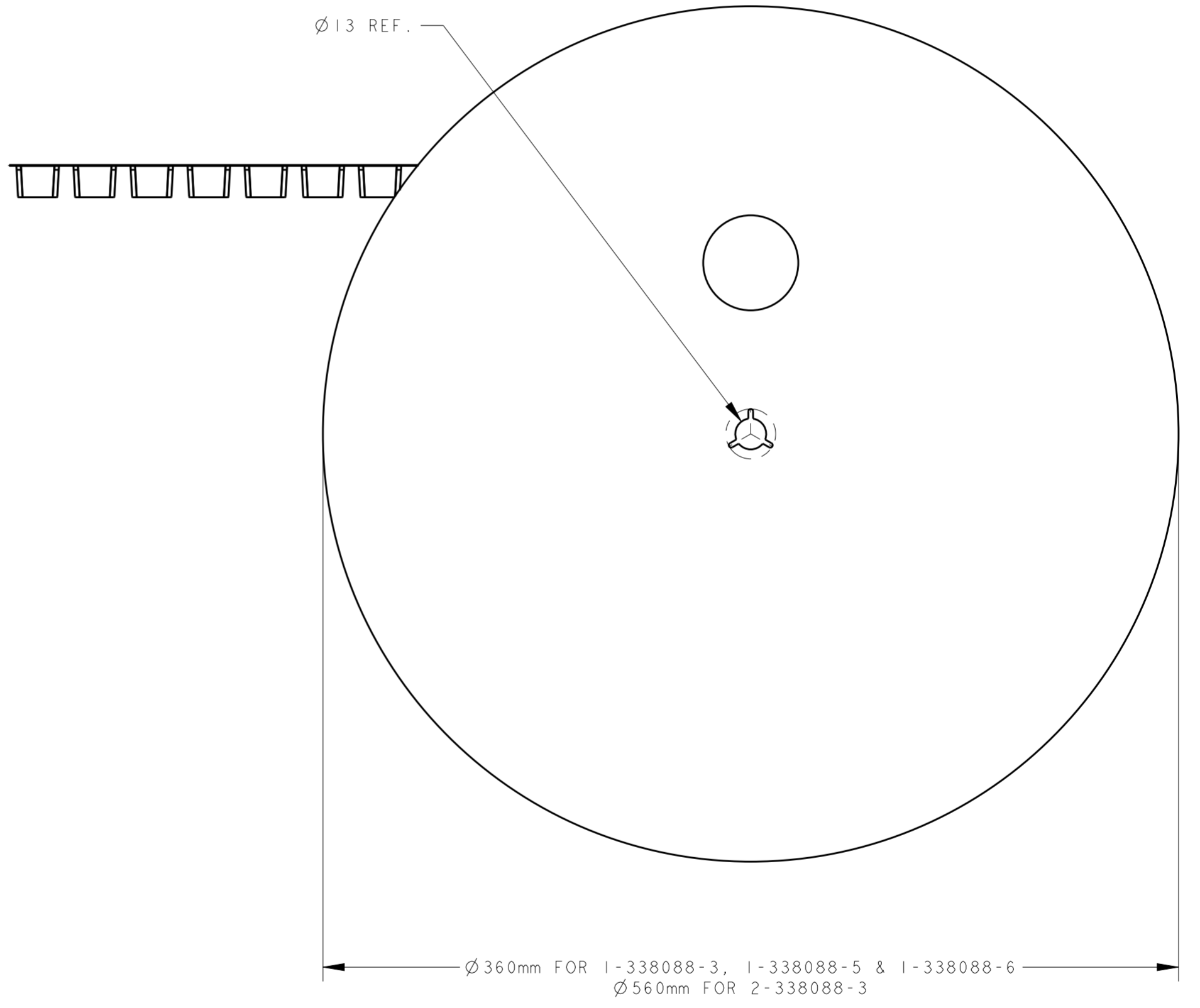
CUSTOMER DRAWING SCALE: 5:1 SHEET 1 OF 2 REV Y2

THIS DRAWING IS UNPUBLISHED. RELEASED FOR PUBLICATION
 © COPYRIGHT - TE CONNECTIVITY ALL RIGHTS RESERVED.

LOC	DIST	REVISIONS			
P	LTR	DESCRIPTION	DATE	DWN	APVD
IR	-	SEE SHEET 1	-	-	-



SEE DETAIL B1 & B2



THIS DRAWING IS A CONTROLLED DOCUMENT.		DWN E.v.EIJK 30-Sep-96	TE Connectivity	
DIMENSIONS: mm		CHK E. STELLINGA Dec-96		
TOLERANCES UNLESS OTHERWISE SPECIFIED:		APVD R. SMEETS	NAME INVERTIBLE MODULAR JACK, 8 POSITION SURFACE MOUNT APPLICATION	
0 PLC ±		PRODUCT SPEC 108-19117	SIZE 114-19041	
1 PLC ±		APPLICATION SPEC 114-19041	CAGE CODE A20779	
2 PLC ±		WEIGHT 2.1 gr	DRAWING NO C-338088	
3 PLC ±		RESTRICTED TO		
4 PLC ±		CUSTOMER DRAWING		
ANGLES ±		SCALE 5:1 SHEET 2 OF 2 REV Y2		
FINISH				