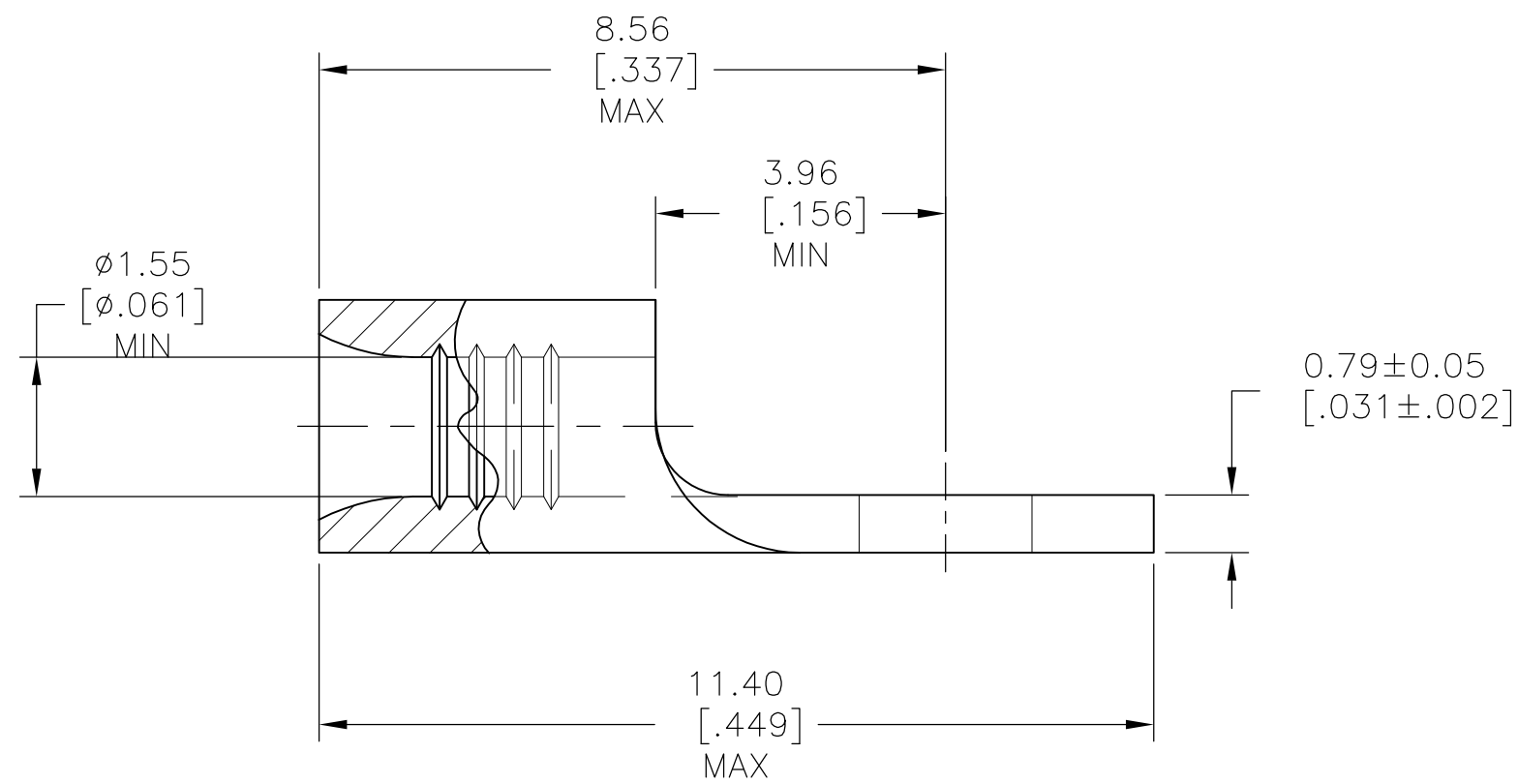
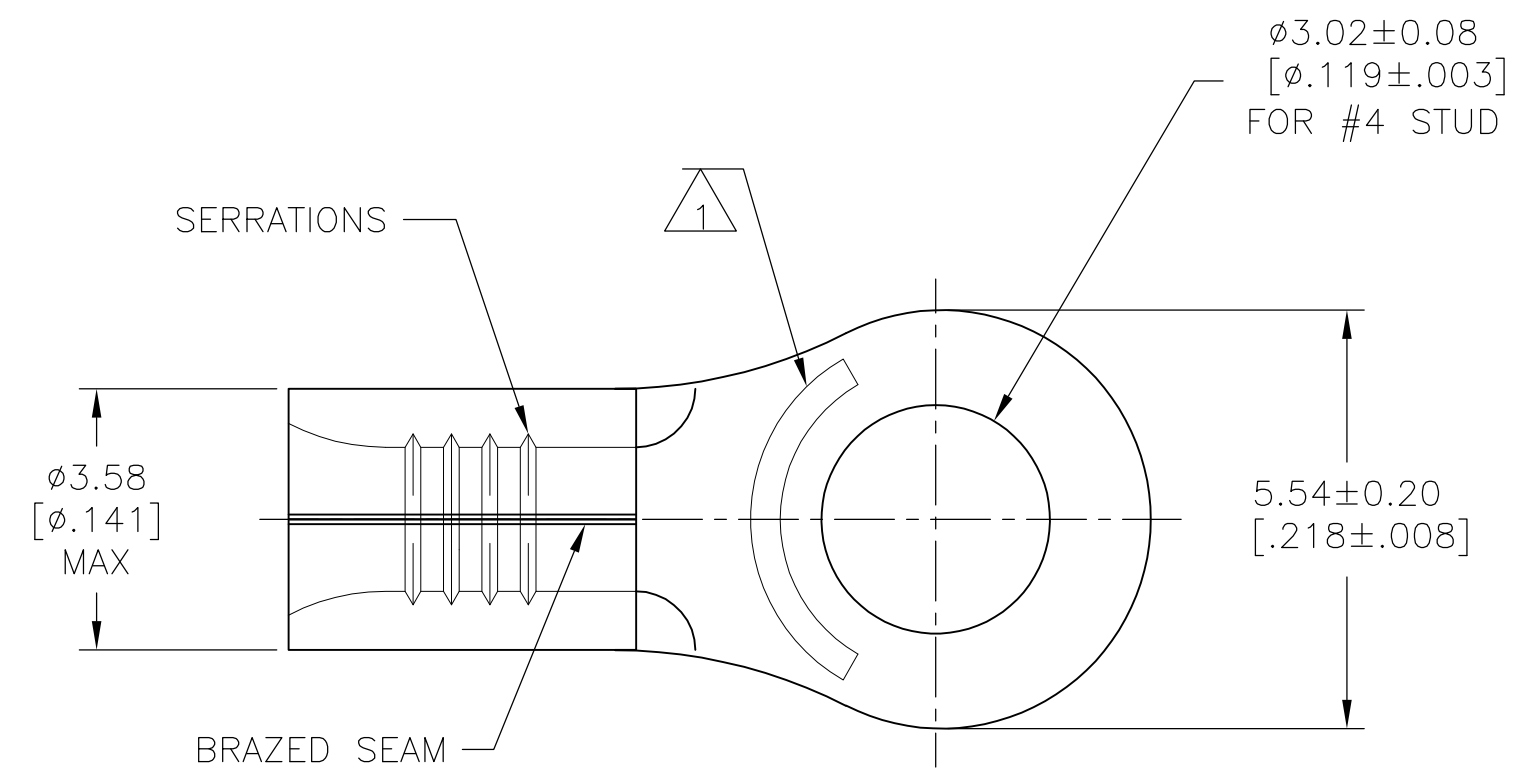


THIS DRAWING IS UNPUBLISHED. RELEASED FOR PUBLICATION
 © COPYRIGHT - By - ALL RIGHTS RESERVED.

| LOC | DIST | REVISIONS | | | | | |
|-----|------|-----------|-----|---------------------------|-----------|-----|------|
| | | P | LTR | DESCRIPTION | DATE | DWN | APVD |
| G | 14 | N1 | | REVISED PER ECO-13-018569 | 28NOV2013 | KH | DR |

AMP
WIRE RANGE

22-16 AWG
SOLID OR STRANDED



- 1 STAMP AMP 22-18* APPROX AS SHOWN
22-16 TERMINALS ARE STAMPED 22-18 IN ACCORDANCE WITH MILITARY SPECIFICATION SAE AS7928; COMMERCIAL WIRE RANGE IS 22-16
- 2 TIN PLATE 0.00254 [0.000100] MIN EXT THK PER ASTM-B-545.
- 3 TIN LEAD PLATE 0.01016-0.02032[0.000400-.000800] MIN EXT THK PER MIL-P-81728
- 4 GOLD PLATE, 0.00254[0.000100] MIN EXT THK PER ASTM B488 TYPE 1, CODE C OVER NICKEL PLATE 0.00127[0.000050] MIN EXT THK PER SAE AMS QQ-N-290. OVER Cu FLASH PER SAE AMS 2418.
- 5 CLEANED, UNPLATED
- 6 .000300 MIN EXT THK NICKEL PER SAE AMS QQ-N-290
- 7 COPPER PER ASTM B-152, ANNEALED
- 8 UL LISTED E13288, 22-16 AWG SOLID OR STRANDED.
- 9 CSA CERTIFIED LR7189, 22-16 AWG SOLID OR STRANDED
- 10 MILITARY P/N AND CLASS: M7928/7-2 CLASS 2
- 11 PRELIMINARY - NOT FOR PRODUCTION
- 12 NOTE DELETED

| MAX TEMP | FINISH | QTY | PACKAGE TYPE | PART NO. |
|----------|--------|------|------------------|-----------|
| 170°C | 2 | 100 | LOOSE PIECE, BOX | 8-34104-1 |
| 170°C | 2 | 5000 | 34104 ON TAPE | 2-34104-6 |
| 343°C | 6 | 1000 | LOOSE PIECE | 34104-6 |
| 170°C | 5 | 1000 | LOOSE PIECE | 34104-5 |
| 260°C | 4 | 1000 | LOOSE PIECE | 34104-4 |
| 170°C | 3 | 5000 | 34104-2 ON TAPE | 34104-3 |
| 170°C | 3 | 1000 | LOOSE PIECE | 34104-2 |
| 170°C | 2 | 1000 | LOOSE PIECE | 34104 |

| | | |
|--|--|---|
| AMP INCORPORATED CUSTOMER SERVICE SYSTEMS | | MAX RECOMMENDED OPERATING TEMPERATURE: SEE TABLE |
| FOR ADDITIONAL PRODUCT INFORMATION OR COPIES OF DRAWINGS AND TECHNICAL DOCUMENTS | PRODUCT INFORMATION CENTER 1-800-522-6752 | VOLTAGE RATING: N/A |
| FOR APPLICATION TOOLING INFORMATION | TOOLING ASSISTANCE CENTER 1-800-722-1111 | CIRCULAR MIL AREA: 0.26-1.65mm² [509-3260] SOLID OR STRANDED |
| FOR ORDER ENTRY | 1-800-526-5142 | THIS DRAWING IS A CONTROLLED DOCUMENT FOR AMP INCORPORATED. IT IS SUBJECT TO CHANGE AND THE CONTROLLING ENGINEERING ORGANIZATION SHOULD BE CONTACTED FOR THE LATEST REVISION. |

| | | | | |
|---|--|--------------------------------|---|-----------------------|
| THIS DRAWING IS A CONTROLLED DOCUMENT. | | DWN TA BRINKMAN 3-10-93 | TE TE Connectivity | |
| DIMENSIONS: mm [INCHES] | | CHK DA PATTERSON 3-10-93 | | |
| TOLERANCES UNLESS OTHERWISE SPECIFIED: | | APVD JL MECKLEY 3-10-93 | NAME TERMINAL, RING TONGUE, SOLISTRAND, WIRE SIZE: 22-16 AWG | |
| 0 PLC ± - 1 PLC ± - 2 PLC ± - 3 PLC ± - 4 PLC ± - ANGLES ± - | | PRODUCT SPEC - | SIZE A2 | |
| MATERIAL 7 | | FINISH SEE TABLE | CAGE CODE 00779 | DRAWING NO C-34104 |
| | | WEIGHT - | RESTRICTED TO - | SCALE 10:1 |
| | | CUSTOMER DRAWING | SHEET 1 of 1 | REV N1 |