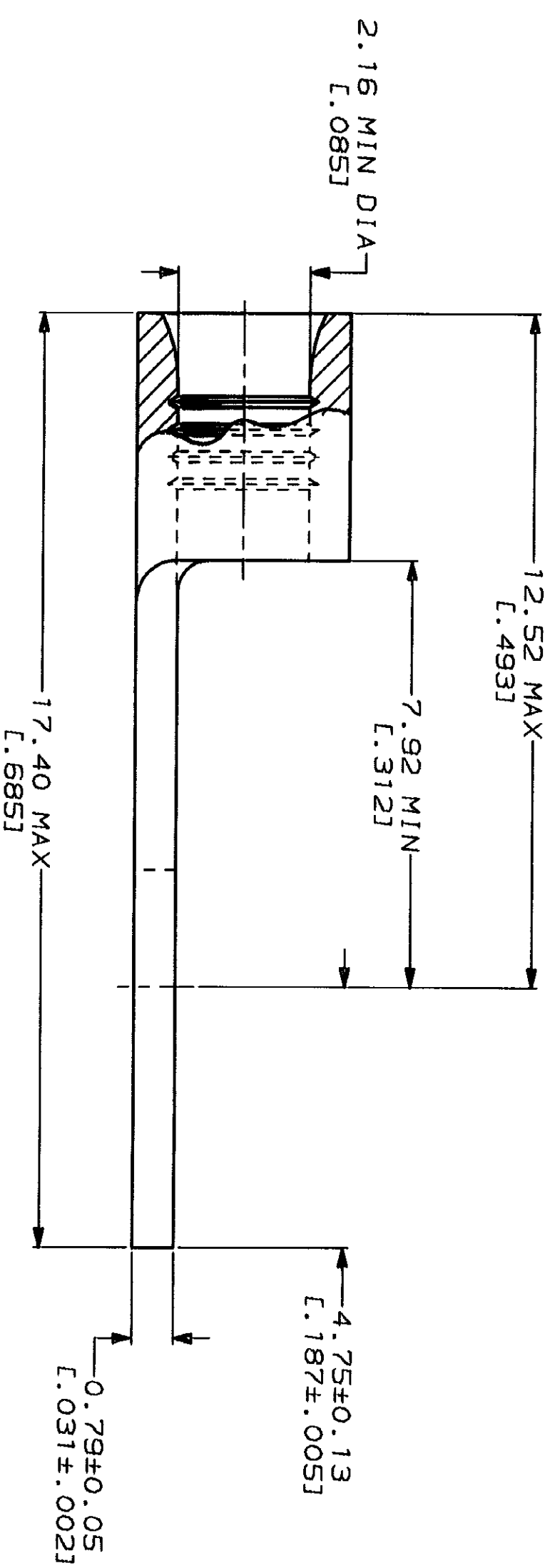


METRIC
 DIMENSIONS LISTED IN mm [INCHES]

AMP WIRE RANGE	UL E13288 Listed
16-14 AWG SOLID OR STRANDED	16-14 AWG SOLID OR STRANDED P/N 34128 & 8-34128-1 & 8-34128-5 ONLY

LR7189 Certified	MILITARY P/N AND CLASS
16-14 AWG SOLID OR STRANDED P/N 34128 & 8-34128-1 & 8-34128-5 ONLY	NOT APPLICABLE

△ STAMP AMP 16-14* APPROX AS SHOWN



50	LOOSE PIECE BAG 34128	170°C	TIN PLATE 0.00254L.000100] MIN THK PER MIL-T-10727	8-34128-5
100	LOOSE PIECE BOX 34128	170°C	TIN PLATE 0.00254L.000100] MIN THK PER MIL-T-10727	8-34128-1
---	LOOSE PIECE	343°C	NICKEL PLATE 0.000762L.000030] MIN THK PER QQ-N-290	34128-1
---	LOOSE PIECE	170°C	TIN PLATE 0.00254L.000100] MIN THK PER MIL-T-10727	34128

AMP INCORPORATED
CUSTOMER SERVICE SYSTEMS

FOR ADDITIONAL PRODUCT INFORMATION OR COPIES OF DRAWINGS AND TECHNICAL DOCUMENTS
 PRODUCT INFORMATION CENTER
 1-800-522-6752

FOR APPLICATION TOOLING INFORMATION
 TOOLING ASSISTANCE CENTER
 1-800-722-1111

FOR ORDER ENTRY
 1-800-526-5142

MAX RECOMMENDED OPERATING TEMPERATURE: SEE TABLE
 VOLTAGE RATING: NOT APPLICABLE
 WIRE CROSS SECTIONAL AREA RANGE: 1.04-2.62mm² [2.050-5.180] CIR MILS SOLID OR STRANDED

DO NOT SCALE PRINT. DIMENSIONS SPECIFIED IN mm [INCHES]
 TOLERANCES ON:
 1 DIMENSIONS IN mm
 2 PLC DEC #
 3 PLC DEC #
 ANGLES

DR TA BRINKMAN
 CHK 3-26-93
 DA PATERSON
 APPD 3-26-93
 DE MILLER
 APPD 3-26-93
 JL MECKLEY
 PRODUCT SPEC

FINISH: SEE TABLE
 APPLICATION SPEC: SEE TABLE
 WEIGHT: -