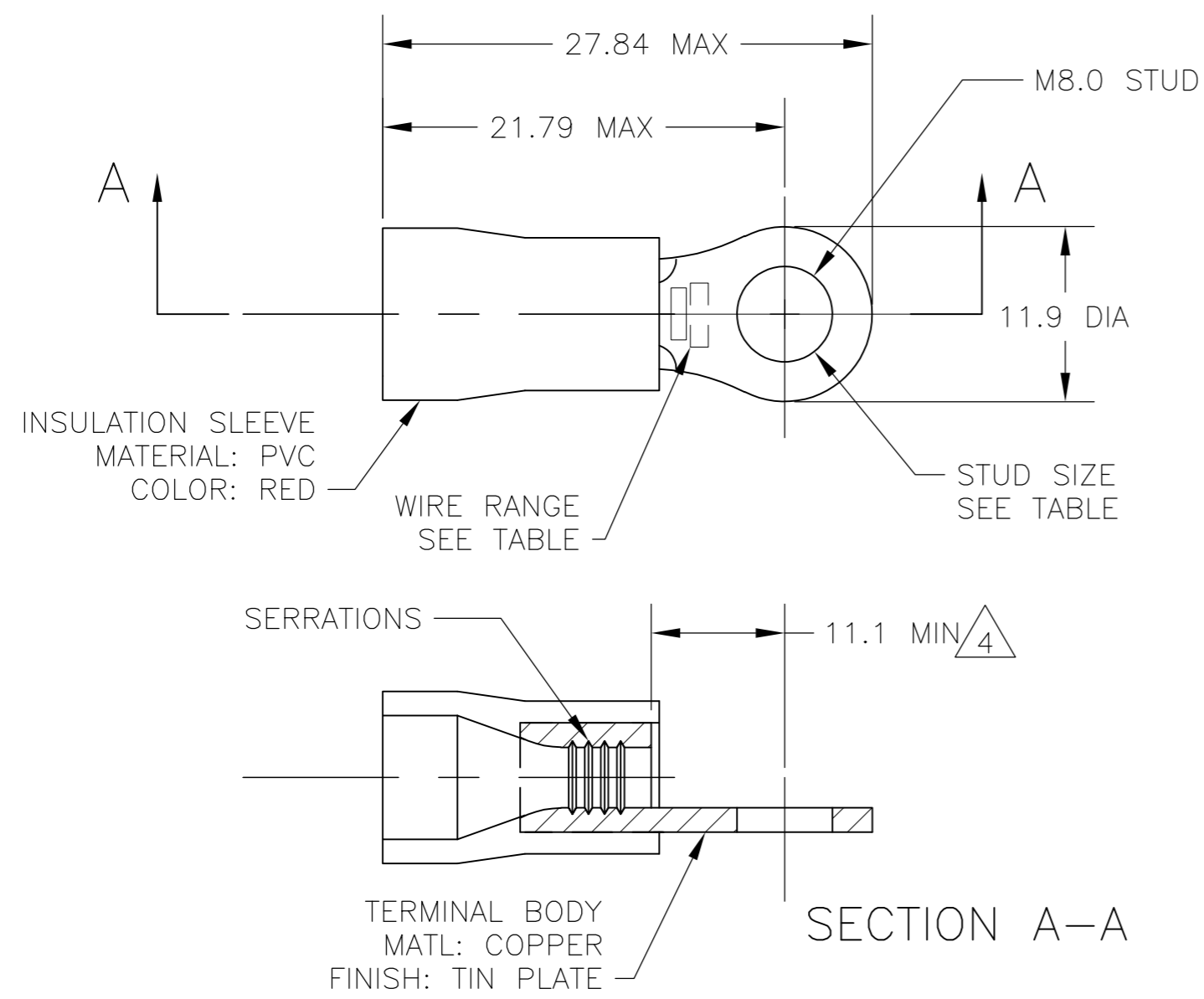


THIS DRAWING IS UNPUBLISHED. RELEASED FOR PUBLICATION
 © COPYRIGHT BY TYCO ELECTRONICS CORPORATION. ALL RIGHTS RESERVED.

LOC	DIST	REVISIONS					
		P	LTR	DESCRIPTION	DATE	DWN	APVD
G	02		R2	REV PER ECR-07-011456	11JUN07	JR	TM



- 1 WIRE SIZE IS 22-16 AWG
- 2 WIRE INSULATION DIA: 2.7-3.6
- 3 MATERIAL THICKNESS IS 0.8
- 4 DIMENSION APPLIES FROM EDGE OF METAL WIRE BARREL TO END OF PIN.
- 5 SUPERSEDED BY 342106-1
- 6 OBSOLETE - NO REPLACEMENT

POLY BAG WITH HEADER	STANDARD	100	5	7-342106-1
PLASTIC BOX	STANDARD	100	5	6-342106-1
TAPED MOUNTED	STANDARD	5000	6	2-342106-1
PLASTIC BAG	STANDARD	100		342106-1
PACKAGING	LABELLING	QTY		PART NO

THIS DRAWING IS A CONTROLLED DOCUMENT.		DWN jr ruth 02DEC05	Tyco Electronics Corporation Harrisburg, PA 17105-3608	
DIMENSIONS: INCHES		CHK T MICHIELUTTI 02DEC05	NAME T MICHIELUTTI	
TOLERANCES UNLESS OTHERWISE SPECIFIED:		APVD T MICHIELUTTI 02DEC05	PRODUCT SPEC	
0 PLC ± -		APPLICATION SPEC		
1 PLC ± 0.5		SIZE A2		
2 PLC ± -		CAGE CODE 00779		
3 PLC ± -		DRAWING NO C=342106		
4 PLC ± -		RESTRICTED TO		
ANGLES ± 1°		SCALE 5:1		
MATERIAL		WEIGHT		SHEET 1 of 1
FINISH		CUSTOMER DRAWING		REV R2

342106