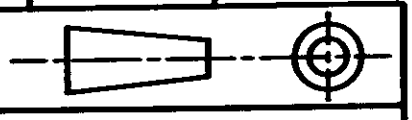
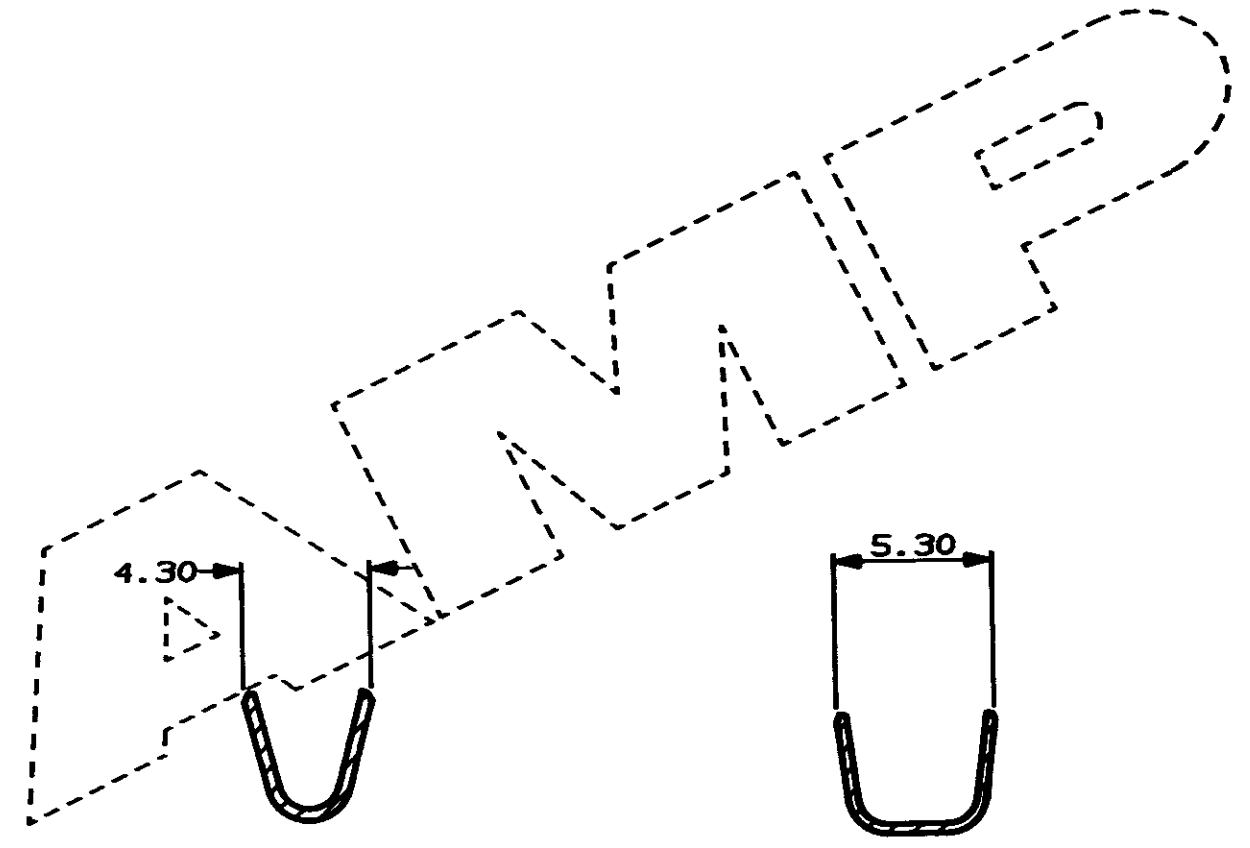
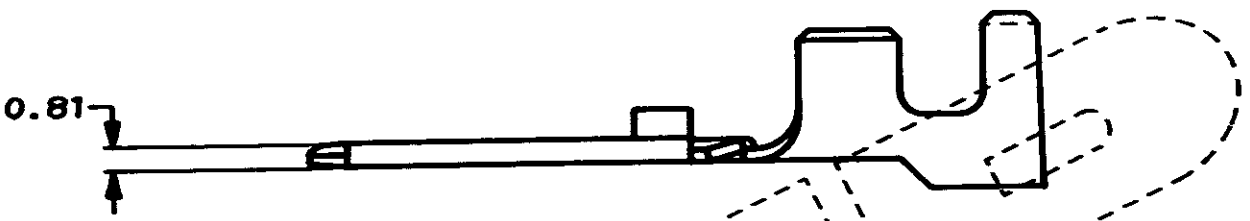
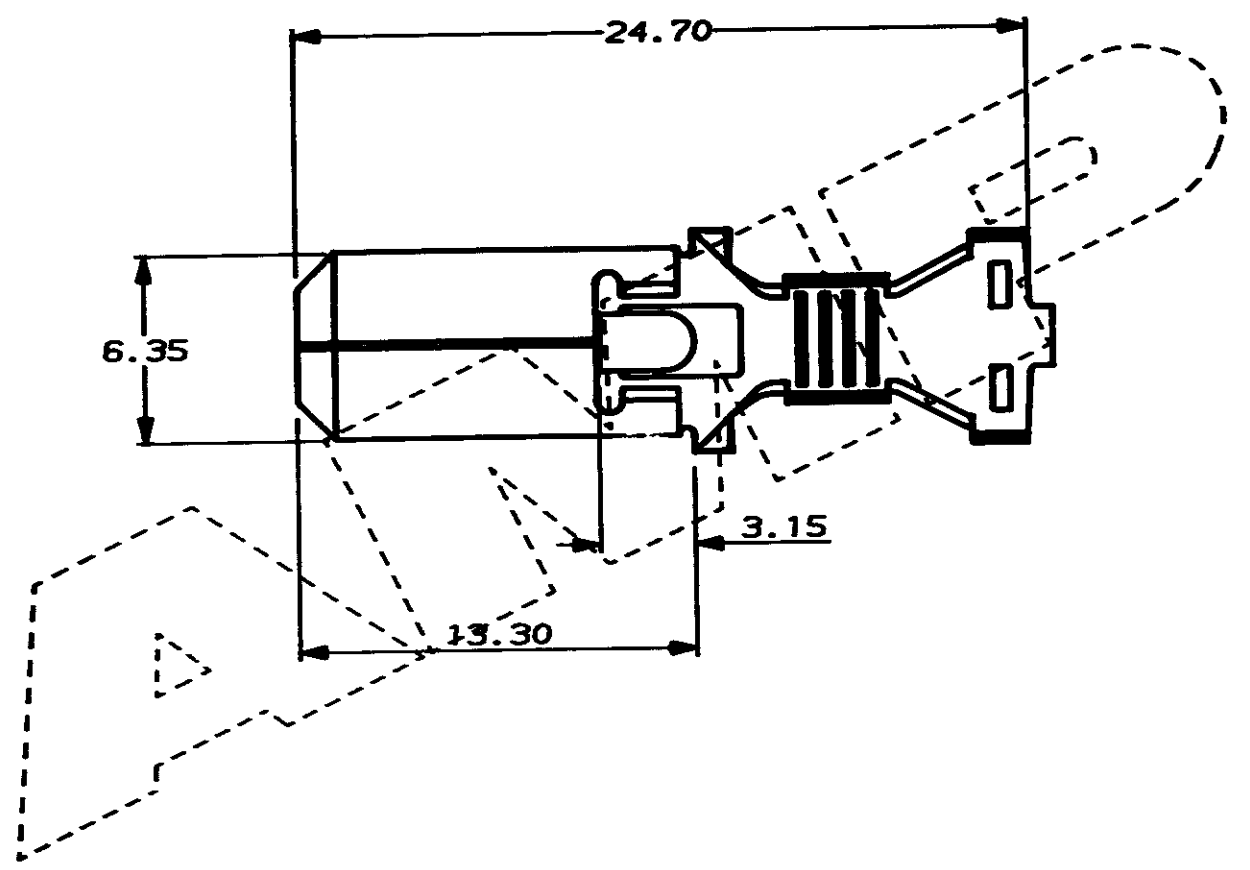


DO NOT SCALE

DIMENSIONS IN MM.



C.A.D. FILE CODE
C344067



WIRE RANGE:
 SINGLE WIRES OF 2.0, 2.5 AND 3.0MM²
 OR DOUBLE WIRES OF 2 X 1.0MM² OR 2 X 1.5MM²

INS. RANGE:
 SINGLE WIRES OF 2.6 DIA. TO 3.4 DIA.
 OR DOUBLE WIRES OF 2 X 2.1 DIA. OR 2 X 2.4 DIA.

(NOTE: O/LAP-CRIMP FOR SINGLE WIRES AND
 F-CRIMP FOR DOUBLE WIRES TO BE USED).

| | | | | | |
|------------------------------------|---------------|--------------|--|--|--------------------------------------|
| PRE-TIN PLATED | | COPPER ALLOY | | 344067-2 | |
| TIN PLATED | | BRASS | | 344067-1 | |
| FINISH | | | MATERIAL | | PART NUMBER |
| CUSTOMER DWG FOR REFERENCE ONLY | | | ©COPYRIGHT 1987 BY AMP OF GREAT BRITAIN LTD. ALL INTERNATIONAL RIGHTS RESERVED. ALL PRODUCTS MAY BE COVERED BY BRITISH AND FOREIGN PATENTS AND/OR PATENTS PENDING. | | RELEASED FOR PUBLICATION 23/06/87 |
| - | - | - | - | DR. R. RUNAGALL 23/06/87 | |
| - | - | - | - | CH. R. J. S. | APP. B. J. |
| - | - | - | - | STE TE Connectivity | |
| - | - | - | - | NAME .250 SERIES TAB HIGH CURRENT ECONOSEAL 3 (UNSEALED APPLICATIONS) | |
| B1 | ECR-14-002475 | BB | 19FEB2014 | SCALE | LOC |
| REV | ECR | APP | DATE | 4/1 | E |
| | | | | SIZE | DWG.No. |
| | | | | A3 | C344067 |
| | | | | REV | SHEET |
| | | | | B1 | 1/1 |