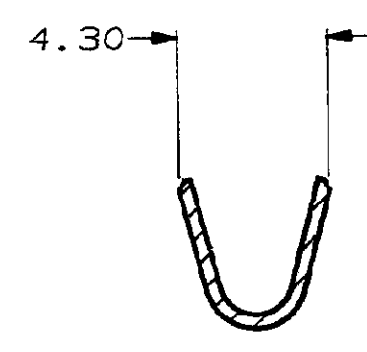
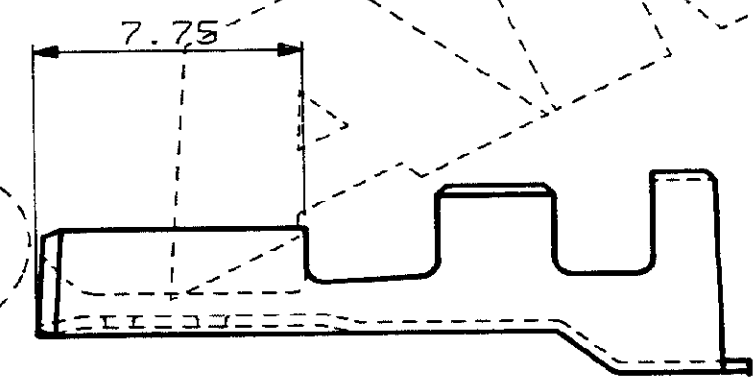
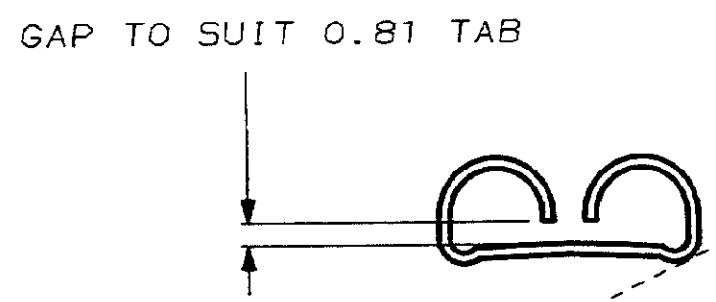
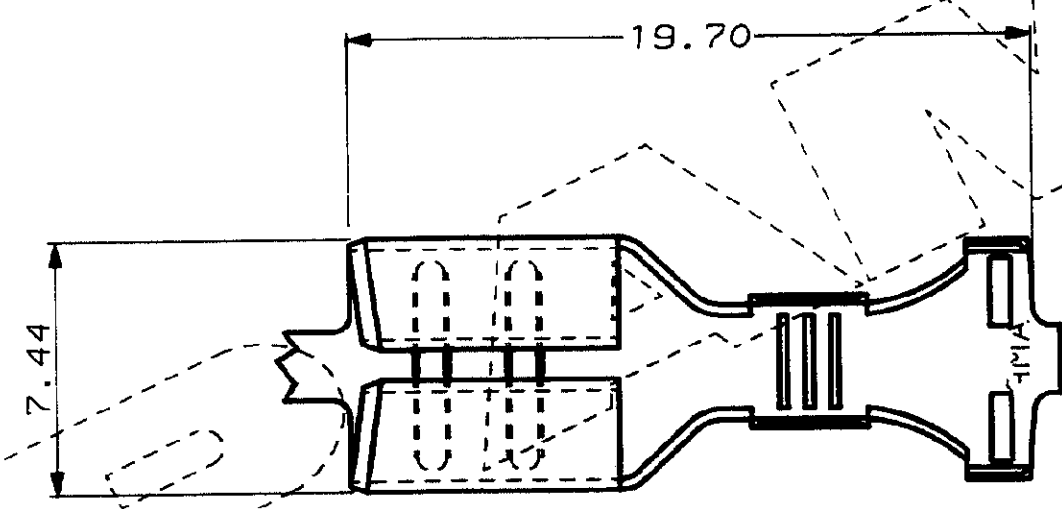



C344068



WIRE RANGE:
 SINGLE WIRES OF 2.0, 2.5 AND 3.0MM²
 OR DOUBLE WIRES OF 2 X 1.0MM² OR 2 X 1.5MM²

INS. RANGE:
 SINGLE WIRES OF 2.6 DIA. TO 3.4 DIA.
 OR DOUBLE WIRES OF 2 X 2.1 DIA. OR 2 X 2.4 DIA.

(NOTE: O/LAP CRIMP FOR SINGLE WIRES AND
 "F" CRIMP FOR DOUBLE WIRES TO BE USED)

TIN PLATED		BRASS		344068-1	
FINISH		MATERIAL		PART NUMBER	
CUSTOMER DWG FOR REFERENCE ONLY		© COPYRIGHT 1987 BY AMP OF GREAT BRITAIN LTD. ALL INTERNATIONAL RIGHTS RESERVED. ALL PRODUCTS MAY BE COVERED BY BRITISH AND FOREIGN PATENTS AND/OR PATENTS PENDING.		RELEASED FOR PUBLICATION 24/06/87	
-		TOLERANCES UNLESS OTHERWISE STATED :		DR. R. RUNAGALL. 24/06/87	
-		DEC ± 0.5		CH. R. J. S. APP. B. J.	
-		ANGLES ± 1°		 TE Connectivity	
-		NAME .250 SERIES REC. HIGH CURRENT ECONOSEAL 3 (UNSEALED APPLICATIONS)			
B1	BB	ECR-14 007031	27MAY2014	SCALE LOC SIZE DWG. No.	REV SHEET
REV	APPROVED	ECN	DATE	5/1 E A2 C344068	B1 1/1