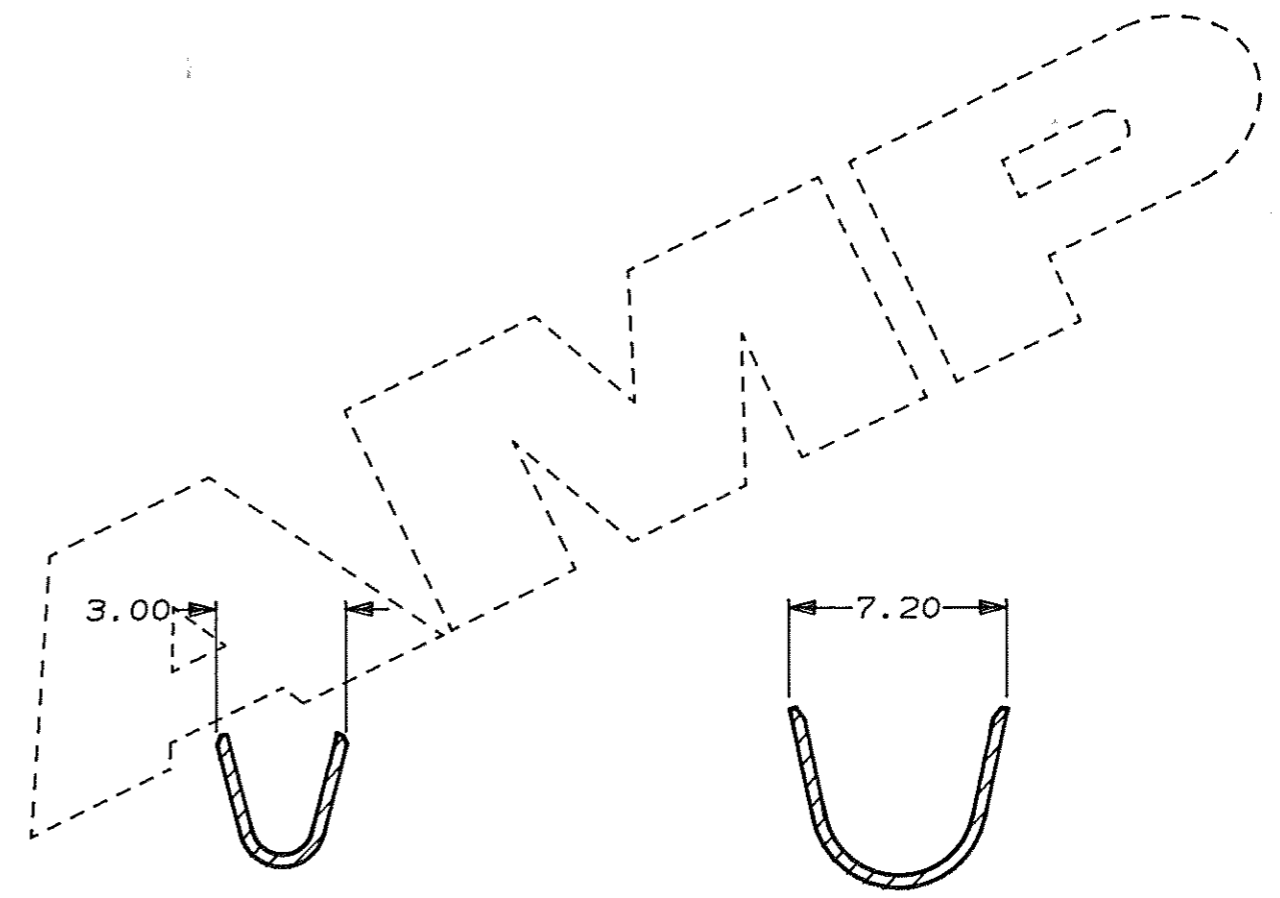
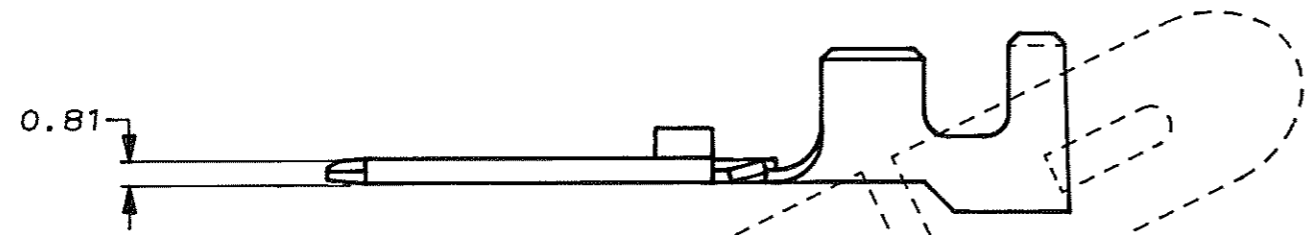
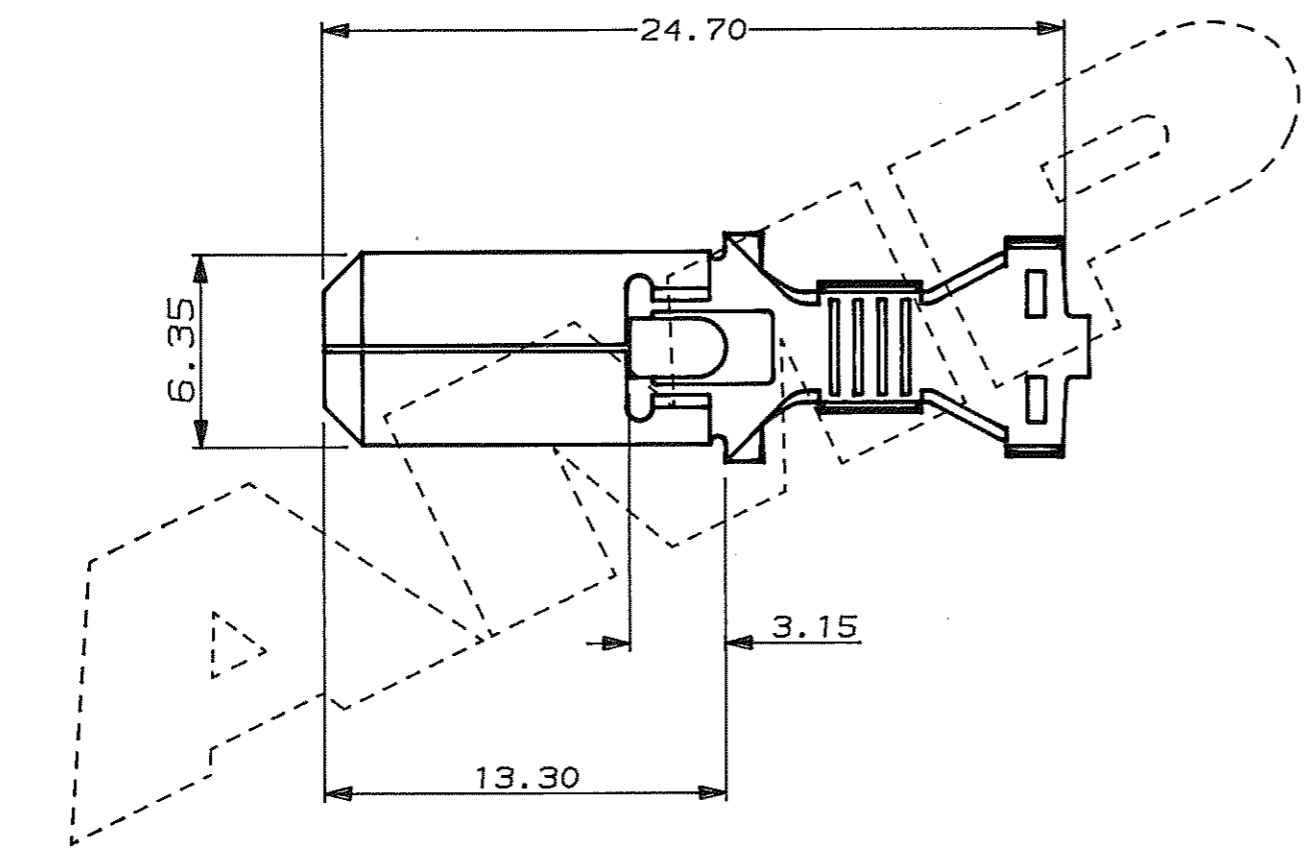


C.A.D. FILE CODE  
S.C344069.A



WIRE RANGE 0.50 TO 1.50 MM<sup>2</sup>  
 INS. RANGE 4.10 TO 5.50 MM DIA. INC. SEAL  
 (ONLY THIN WALLED CABLE 1.60 TO 2.40 MM DIA. IS SUITABLE)

TIN PLATED		BRASS		344069-1	
FINISH		MATERIAL		PART NUMBER	
CUSTOMER DWG FOR REFERENCE ONLY			© COPYRIGHT 1987 BY AMP OF GREAT BRITAIN LTD. ALL INTERNATIONAL RIGHTS RESERVED. ALL PRODUCTS MAY BE COVERED BY BRITISH AND FOREIGN PATENTS AND/OR PATENTS PENDING.		RELEASED FOR PUBLICATION 23/06/87
-	-	-	-	TOLERANCES UNLESS OTHERWISE STATED, DEC ± 0.5 ANGLES ± 1°	DR. R. RUNAGALL 23/06/87
-	-	-	-		CH. R. J. S. APP. B. J.
-	-	-	-		<b>AMP</b> of Great Britain Ltd.
-	-	-	-		TERMINAL HOUSE STANMORE MIDD.
A	UPDATED	G5241	17.5.89	NAME .250 SERIES TAB HIGH CURRENT ECONOSEAL 3 (SEALED APPLICATIONS)	
O	REL. FOR PROD.	C4887	8.3.88	SCALE	LOC
REV	APPROVED	ECN	DATE	4/1	E
				A3	DWG.No.
				C344069	REV
				A	SHEET
				1/1	