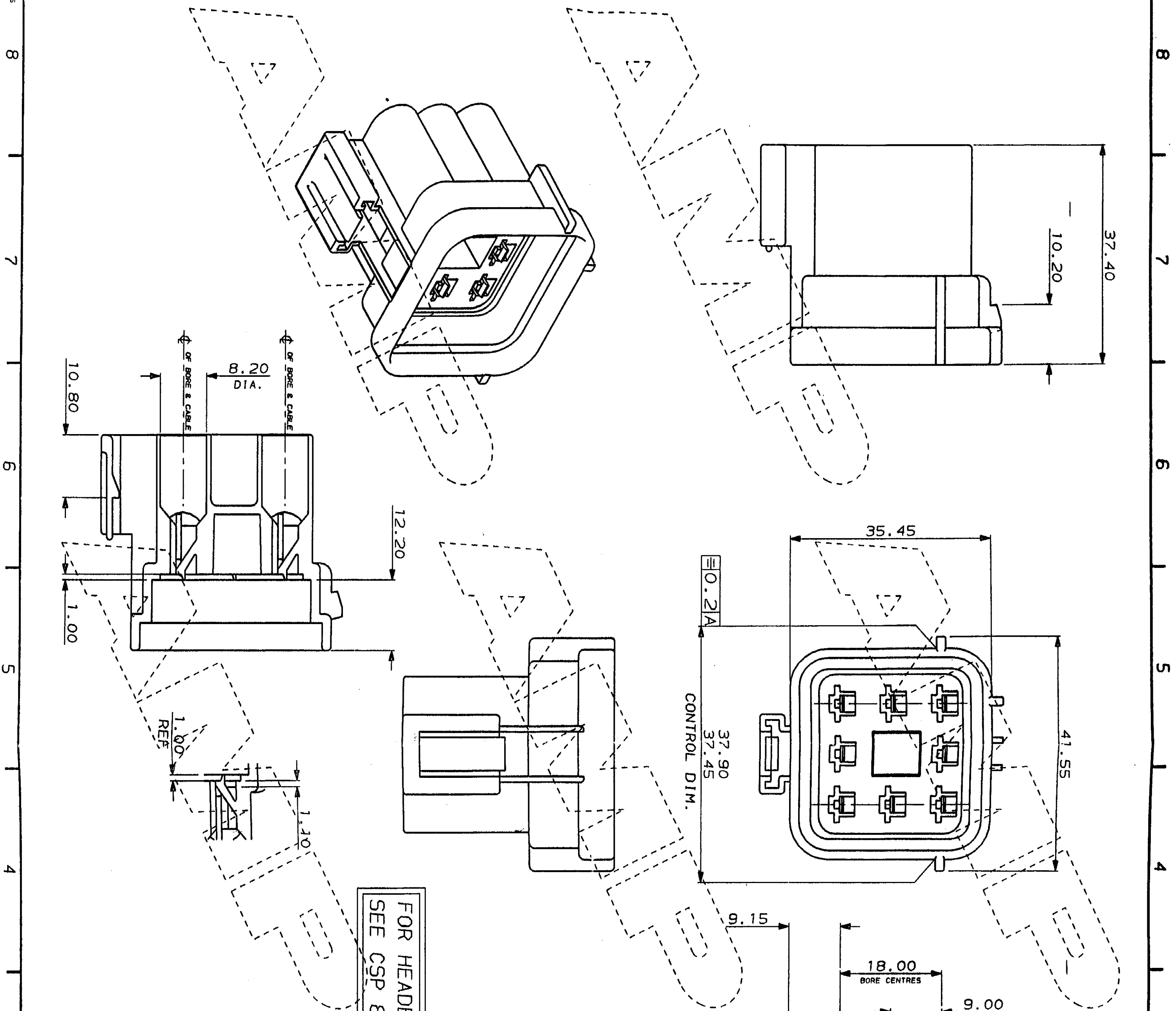


A B C D E F 8 7 6 5 4 3 2 1



FOR HEADER DETAILS OF THIS PART  
SEE CSP 8391 REV. 14

DO NOT SCALE  
DIMENSIONS IN MM.



FINISH	MATERIAL	PART NUMBER
WHITE	NYLON 6.6	344073-4
BLUE	NYLON 6.6	344073-3
RED	NYLON 6.6	344073-2
BLACK	NYLON 6.6	344073-1

**CUSTOMER DWG**  
FOR REFERENCE ONLY

©COPYRIGHT 1987 BY AMP OF GREAT BRITAIN LTD.  
ALL INTERNATIONAL RIGHTS RESERVED. ALL PRODUCTS  
MAY BE COVERED BY BRITISH AND FOREIGN PATENTS AND/OR PATENTS PENDING.  
DR. R. S. APP. B.J. 17.5.87

UNLESS OTHERWISE STATED DEC 87 0.5° ANGLES & 1°

8 WAY TAB HSG.  
ECONOMISEAL 3 HIGH CURRENT

AMP  
of Great Britain Ltd.

TERMINAL HOUSE  
STANBONE  
HILDEK.

SCALE 1:1  
LOC SIZE A2  
Dwg. No. C344073

REV 1/1

FORMAT 22/05/85 8 7 6 5 4 3 2 1