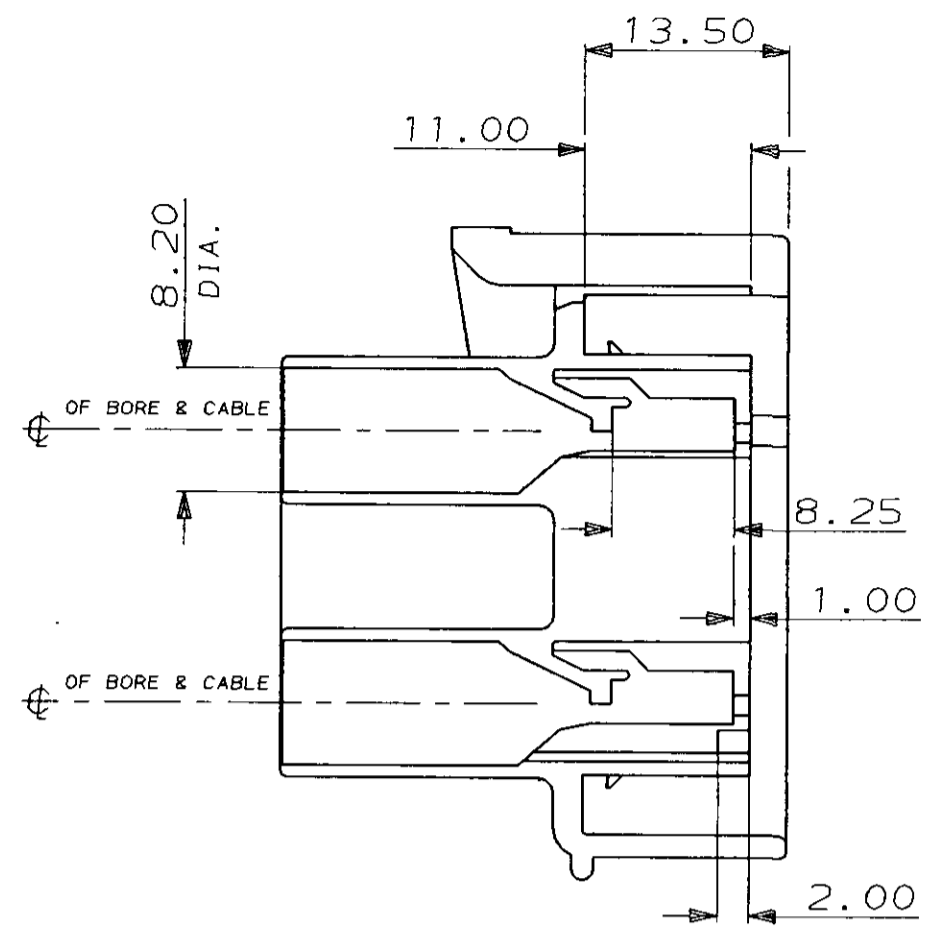
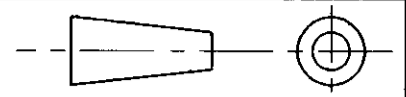
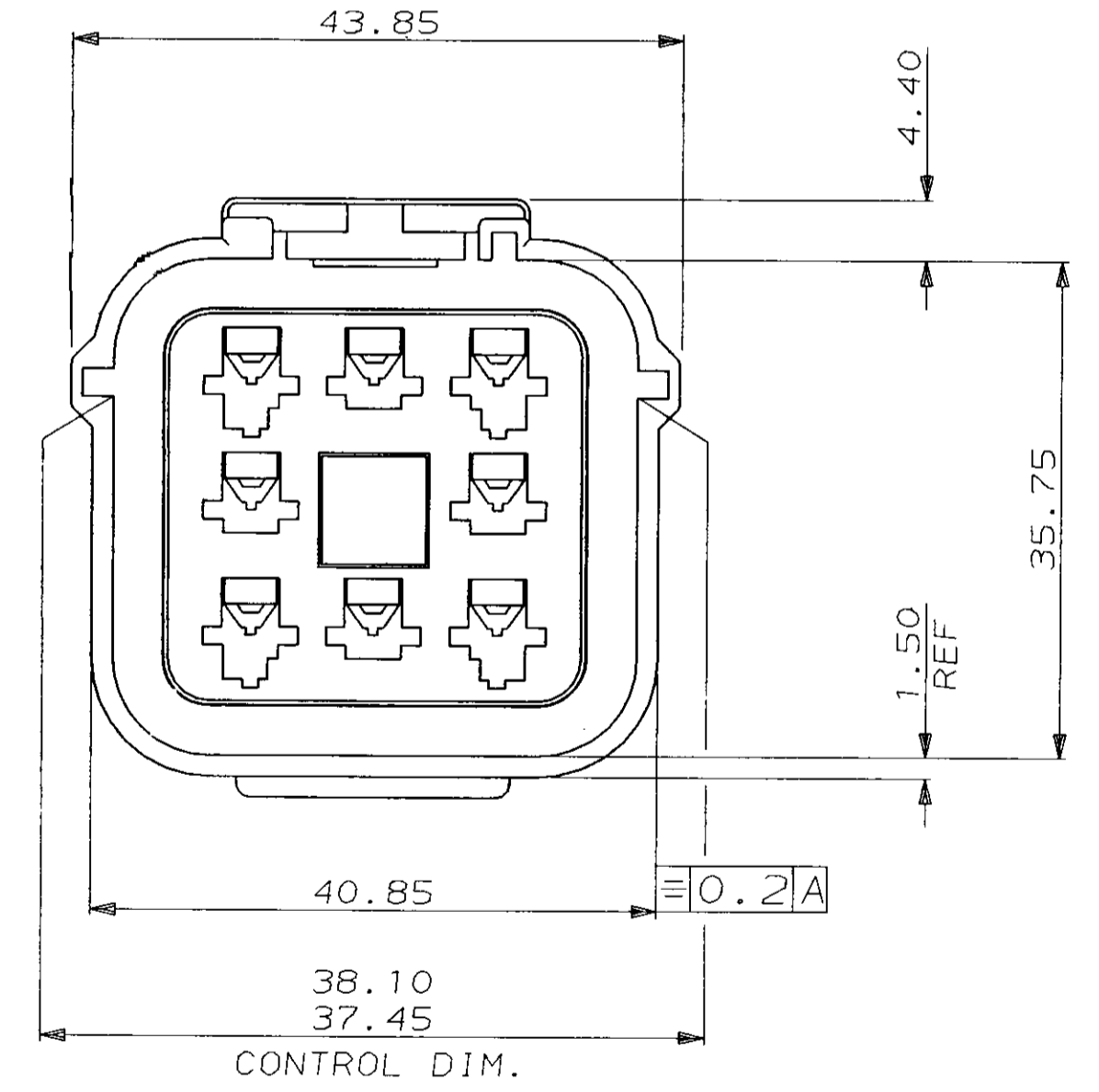
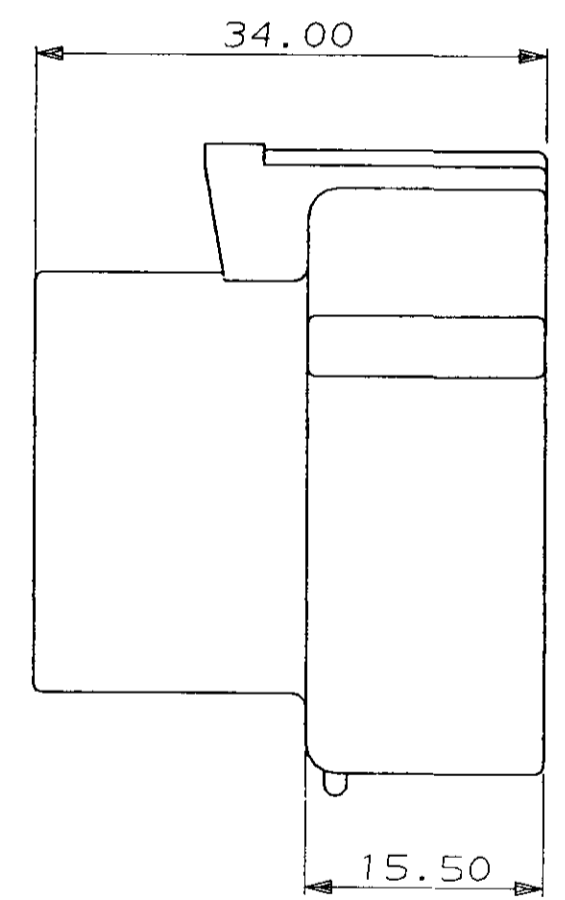
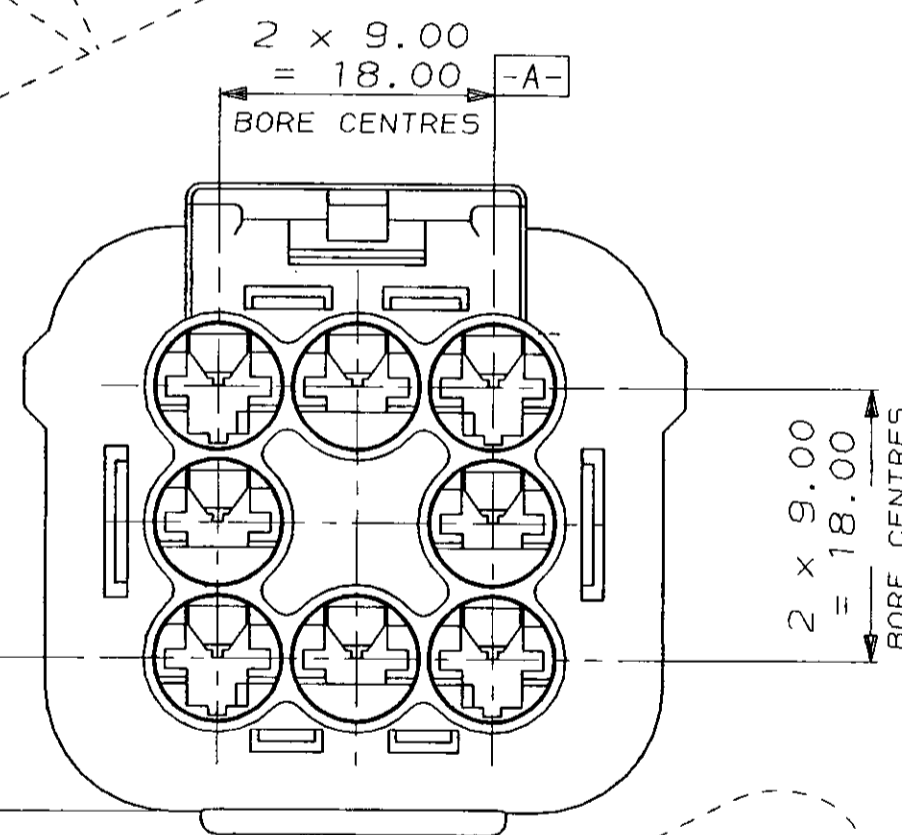
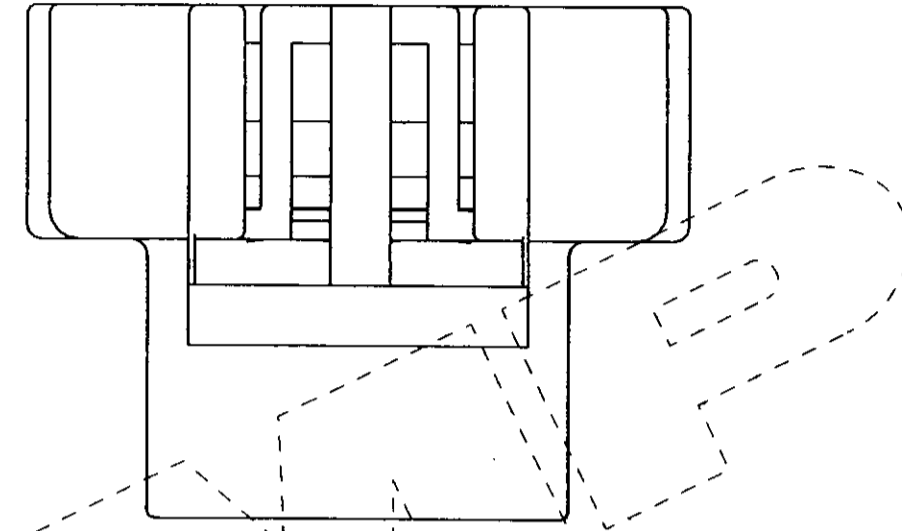
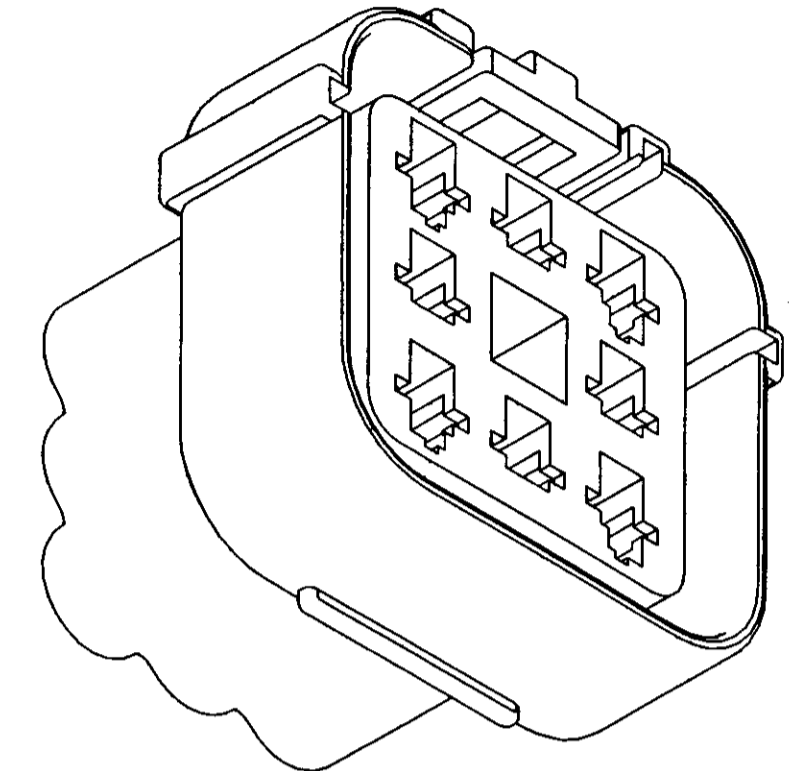


C.A.D. FILE CODE
C344076

DO NOT SCALE DIMENSIONS IN MM.



SCRAP VIEW (SEAL NOT SHOWN)



COLOUR	MATERIAL	PART NUMBER
WHITE	PA66	344076-4
BLUE	PA66	344076-3
RED	PA66	344076-2
BLACK	PA66	344076-1

CUSTOMER DWG FOR REFERENCE ONLY				©COPYRIGHT 1987 BY AMP OF GREAT BRITAIN LTD. ALL INTERNATIONAL RIGHTS RESERVED. ALL PRODUCTS MAY BE COVERED BY BRITISH AND FOREIGN PATENTS AND/OR PATENTS PENDING.				RELEASED FOR PUBLICATION 23/06/87	
				TOLERANCES UNLESS OTHERWISE STATED DEC ± 0.5 ANGLES ± 1°				DR. I. J. 23/06/87	
				NAME 8 WAY REC.HSG.				CH. R. J. S. APP. B. J.	
				SCALE LOC SIZE DWG.No.				REV SHEET	
D1 REVISION CHANGE ECR-14-007031 27MAY2014				2/1 E A2 C344076				D1 1/1	
REV MODIFICATION ECN DATE									

