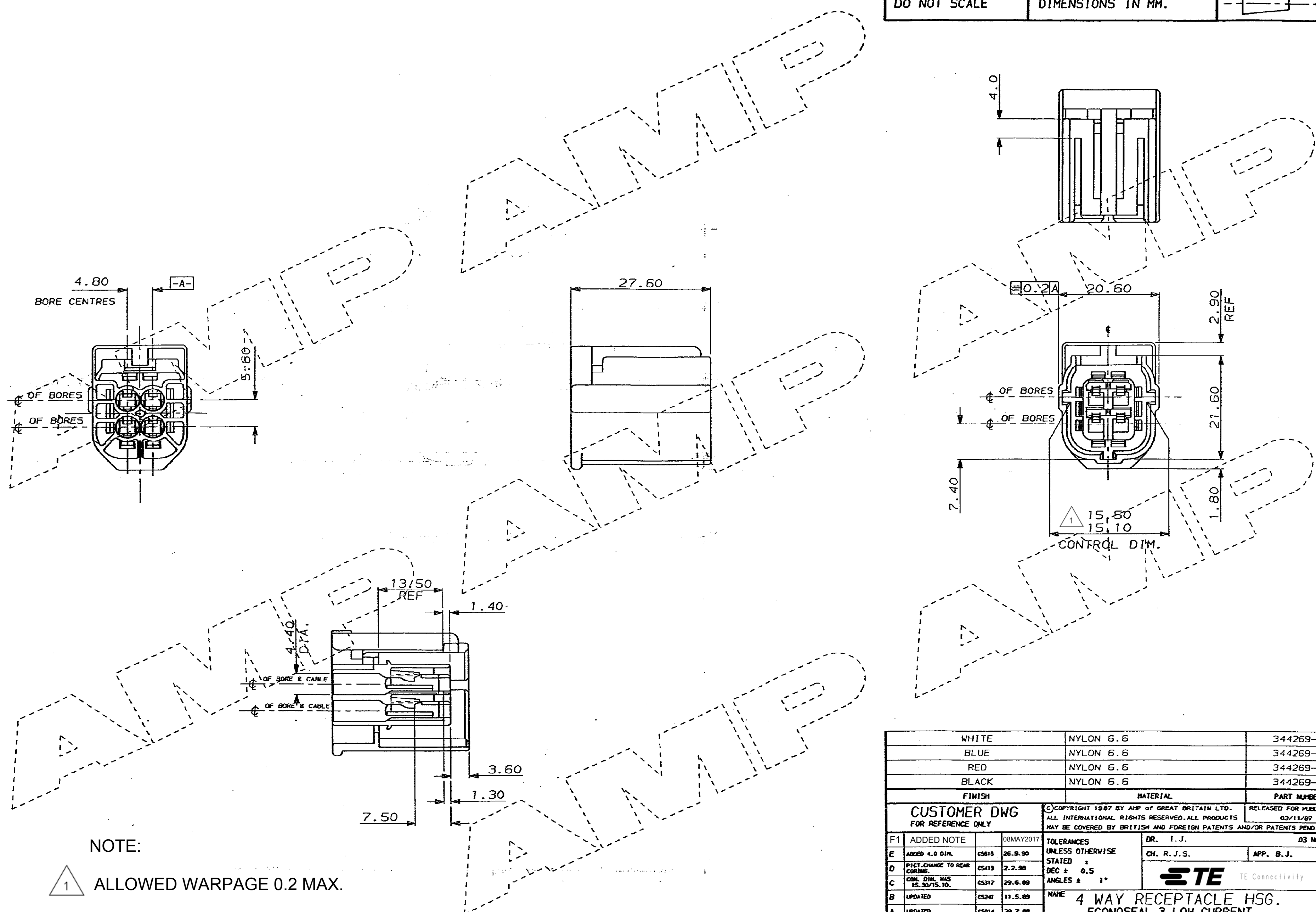
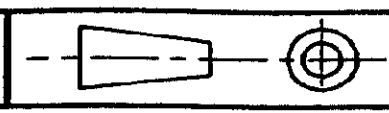


C.A.D. FILE CODE  
344269

DO NOT SCALE

DIMENSIONS IN MM.



NOTE:  
 ALLOWED WARPAGE 0.2 MAX.

WHITE	NYLON 6.6	344269-4
BLUE	NYLON 6.6	344269-3
RED	NYLON 6.6	344269-2
BLACK	NYLON 6.6	344269-1
FINISH	MATERIAL	PART NUMBER
CUSTOMER DWG FOR REFERENCE ONLY		RELEASED FOR PUBLICATION 03/11/87
COPYRIGHT 1987 BY AMP OF GREAT BRITAIN LTD. ALL INTERNATIONAL RIGHTS RESERVED. ALL PRODUCTS MAY BE COVERED BY BRITISH AND FOREIGN PATENTS AND/OR PATENTS PENDING.		DR. I. J. CH. R. J. S.      APP. B. J.
F1	ADDED NOTE	08MAY2017
E	ADDED 4.0 DIM.	C5615 26.9.90
D	PICT. CHANGE TO REAR CORING.	C5413 2.2.90
C	CON. DIM. WAS 15.30/15.10.	C5317 29.6.89
B	UPDATED	C5241 11.5.89
A	UPDATED	C5014 29.7.88
O	REL. FOR PROD.	C4896 14.3.88
REV	APPROVED	ECM DATE
TOLERANCES UNLESS OTHERWISE STATED ±		DR. I. J.      03 NOV 1987
DEC ± 0.5		CH. R. J. S.      APP. B. J.
ANGLES ± 1°		<b>TE</b> TE Connectivity
NAME 4 WAY RECEPTACLE HSG. ECONOSEAL 3 LOW CURRENT		
SCALE	LOG	SIZE
2/1	E	A2
DWG. No.	REV	SHEET
C344269	F1	1/1