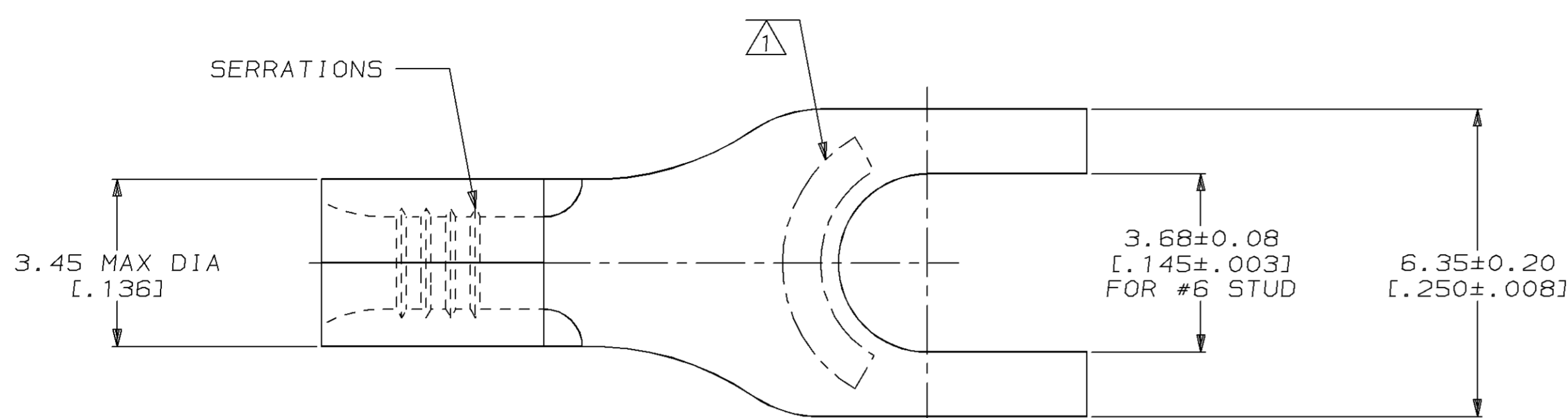


THIS DRAWING IS UNPUBLISHED. RELEASED FOR PUBLICATION , 19 .
 © COPYRIGHT 19 BY AMP INCORPORATED. ALL INTERNATIONAL RIGHTS RESERVED.

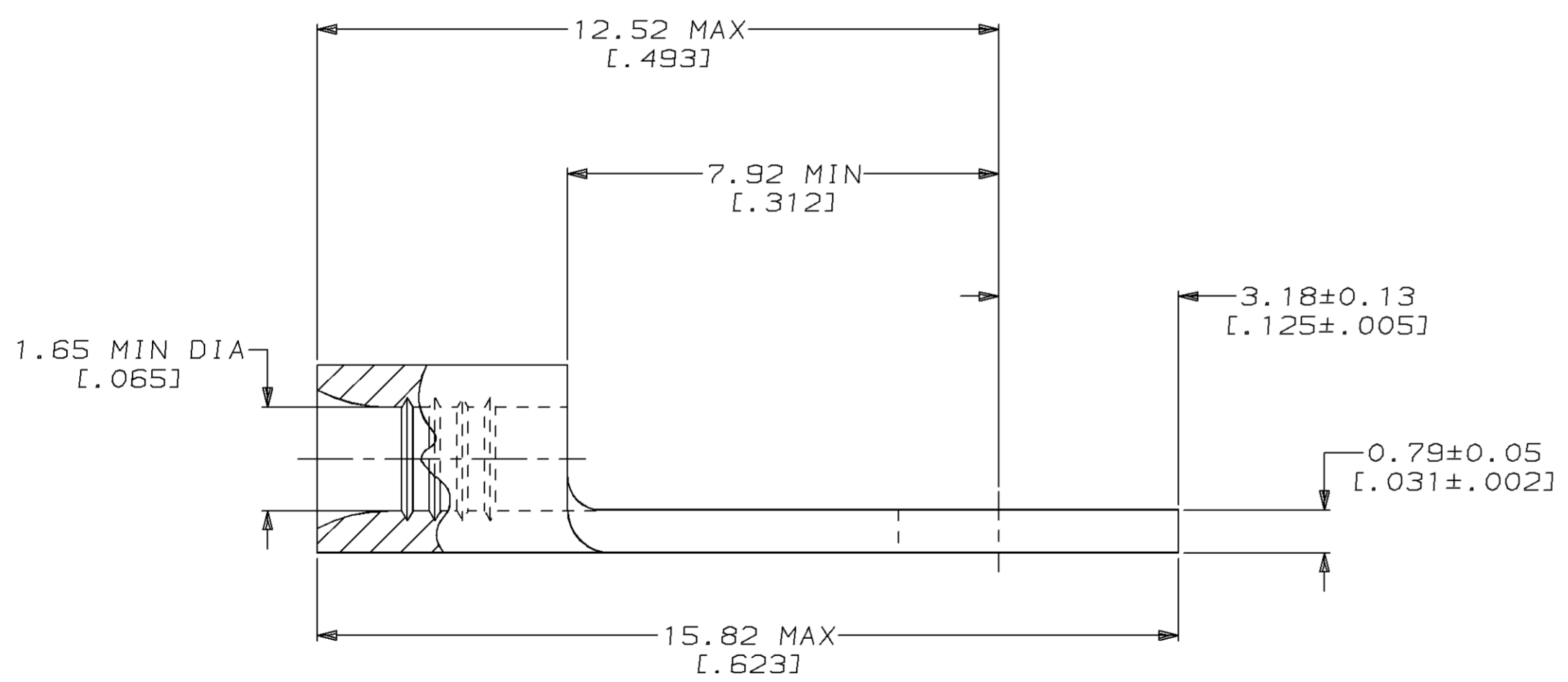
| LOC | DIST | P | F | ZONE | LTR | DESCRIPTION | DATE | APPD |
|-----|------|---|---|------|-----|--------------------------|---------|------|
| G | 14 | | | | B | REVISED PER 0720-0937-96 | 05JUN96 | MJS |

METRIC
 DIMENSIONS LISTED IN mm [INCHES]



| | |
|-------------------------------|----------------------------|
| AMP WIRE RANGE | UL E13288 Listed |
| 22-16 AWG STRANDED | 22-16 AWG STRANDED |
| SP LR7189 Certified | MILITARY P/N AND CLASS |
| NOT CERTIFIED | NOT APPLICABLE |

△ STAMP AMP 22-18* APPROX AS SHOWN
 22-16 TERMINALS ARE STAMPED 22-18 IN
 ACCORDANCE WITH MILITARY SPECIFICATION
 MIL-T-7928; COMMERCIAL WIRE RANGE IS 22-16



| QUANTITY | PACKAGE TYPE | PART NO |
|----------|------------------|-----------|
| 50 | LOOSE PIECE, BOX | 8-34518-2 |
| - | LOOSE PIECE | 34518 |

AMP INCORPORATED
CUSTOMER SERVICE SYSTEMS

MAX RECOMMENDED OPERATING TEMPERATURE:
 170°C MAX

DO NOT SCALE PRINT. UNLESS SPECIFIED
 DIMENSIONS IN mm [INCHES]
 TOLERANCES ON:
 2 PLC DEC ± -
 3 PLC DEC ± -
 ANGLES ± -
 MATERIAL
 COPPER PER
 ASTM B-152
 ANNEALED
 FINISH
 TIN PLATE
 0.00254 [0.000100] MIN
 THK PER MIL-T-10727

DR 2-16-93
 TA BRINKMAN
 CHK 2-16-93
 DA PATTERSON
 APPD 2-16-93
 DE MILLER
 APPD 2-16-93
 JL MECKLEY
 PRODUCT SPEC
 -
 APPLICATION SPEC
 -
 WEIGHT -

| | | |
|--|--------------------|-----------------------|
| AMP AMP Incorporated Harrisburg, PA 17105-3608 | | |
| NAME TERMINAL, SPADE TONGUE, BUDGET | | |
| SIZE C | CAGE CODE 00779 | DRAWING NO G-34518 |
| SCALE 10:1 | SHEET 1 OF 1 | |

| | |
|--|--|
| FOR ADDITIONAL PRODUCT INFORMATION OR COPIES OF DRAWINGS AND TECHNICAL DOCUMENTS | PRODUCT INFORMATION CENTER 1-800-522-6752 |
| FOR APPLICATION TOOLING INFORMATION | TOOLING ASSISTANCE CENTER 1-800-722-1111 |
| FOR ORDER ENTRY | 1-800-526-5142 |

VOLTAGE RATING:
 NOT APPLICABLE
 WIRE CROSS SECTIONAL AREA RANGE:
 0.26-1.65mm² [509-3,260] CIR MILS
 STRANDED
 THIS DRAWING IS A CONTROLLED DOCUMENT FOR AMP INCORPORATED. IT IS SUBJECT TO CHANGE AND THE CONTROLLING ENGINEERING ORGANIZATION SHOULD BE CONTACTED FOR THE LATEST REVISION.