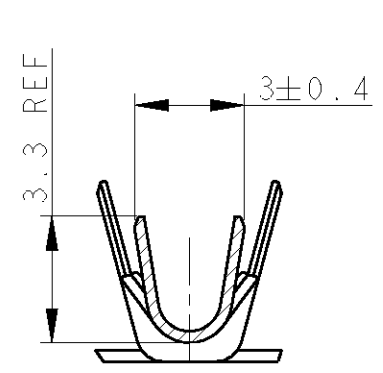
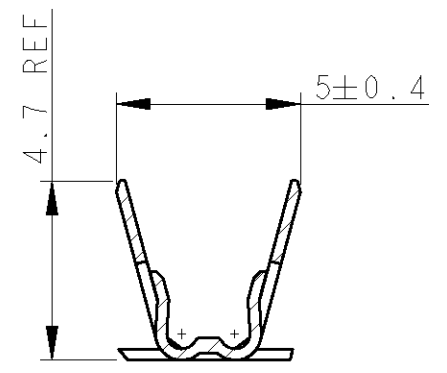


USED ON -

DWG NO C345208
 THIS DRAWING IS A CONTROLLED DOCUMENT.

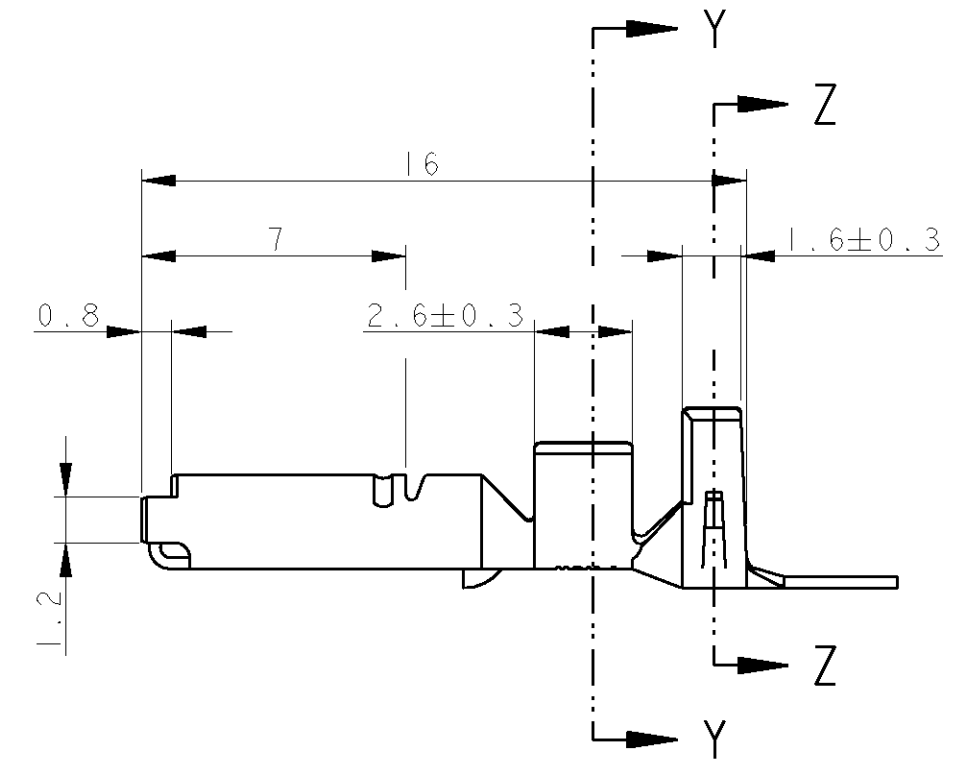
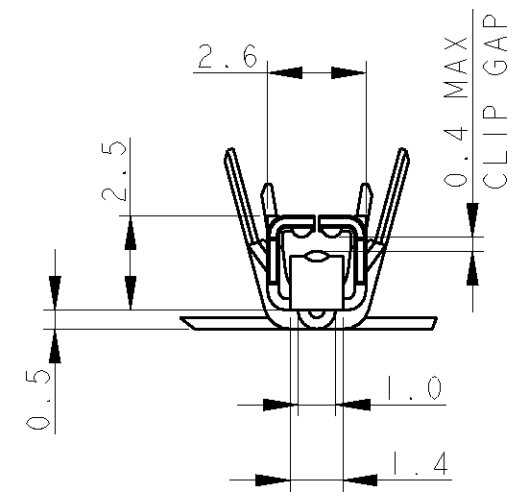
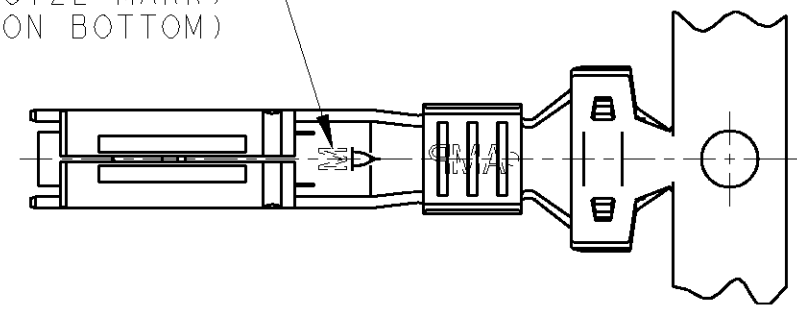


SECTION Y - Y



SECTION Z - Z

WIRE RANGE ID MARK
 ("M" SIZE MARK)
 (STAMPED ON BOTTOM)



NOTES:

1. WIRE DETAILS: 0.75-1.5mm², 1.7-2.4 INSULATION DIA.
2. SIMILAR TO PART NUMBER 173631

LOC	B	EB00-0283-02	2/08/02	MJG	BB		
	A	EB00-0191-02	1-7-02	-	-	APPL FEED	TRIMMING BURR
	O	RELEASE FOR PRODUCTION, ECN C6261	27-8-92	-	-	WDW	IDW
DIST	I	-	16-10-91	MM	-	REELING	107-
E	P	LTR	REVISION RECORD	DATE	DWN	APVD	SPLICE
							115-1018

PRE-TIN FINISH	BRASS MATERIAL	345208-1 PART NO
WIRE RANGE 0.75-1.5	DIMENSIONS: mm DIMENSIONS APPLY BEFORE PLATING TOLERANCES UNLESS OTHERWISE SPECIFIED:	tyco Electronics Tyco Electronics UK Ltd, Barton Tors, Bideford, Devon, EX39 4HE. NAME - .070 SERIES RECEPTACLE CONTACT
INSUL RANGE 1.7-2.4	2 PLC ± 0.5 3 PLC ± 0.5 ANGLES ± 0.5 	
SURF AREA	CHK 2AUG2002 M. GREENER DWN 31JUL2002 D. ROUSE APVD 2AUG2002 B. BAKER	SCALE 5:1 SIZE A3 DRAWING NO C345208 REV B