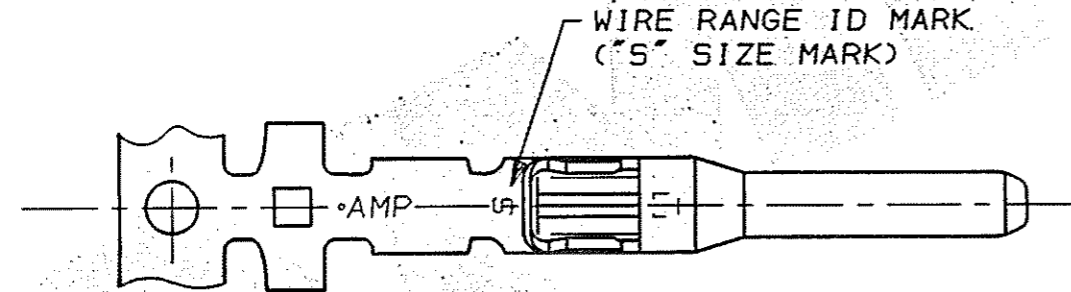
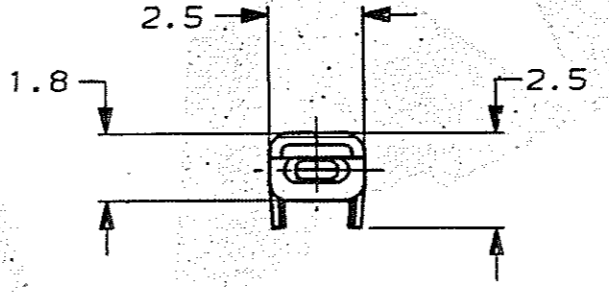
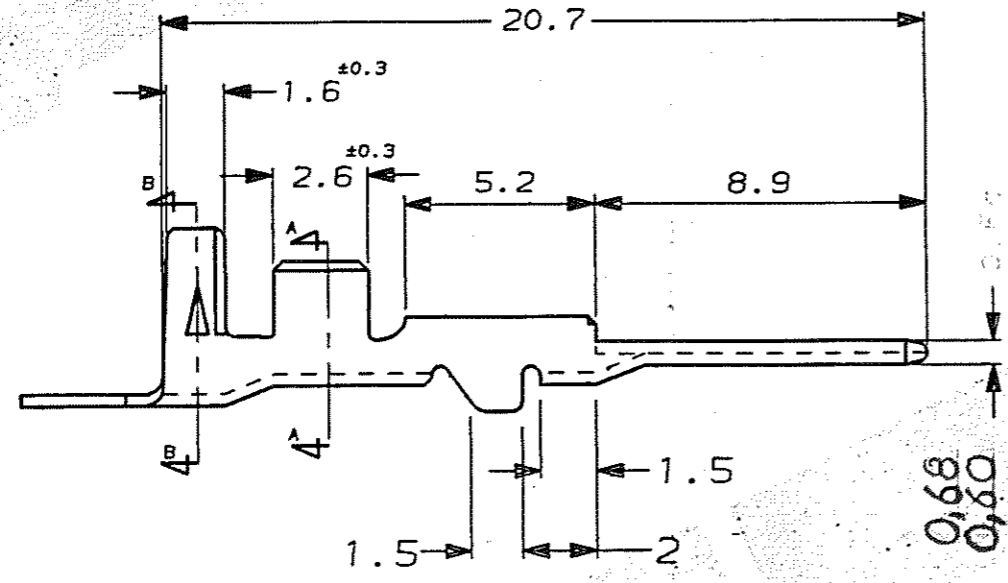
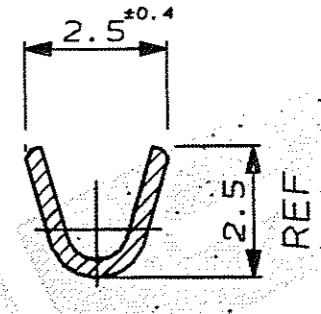
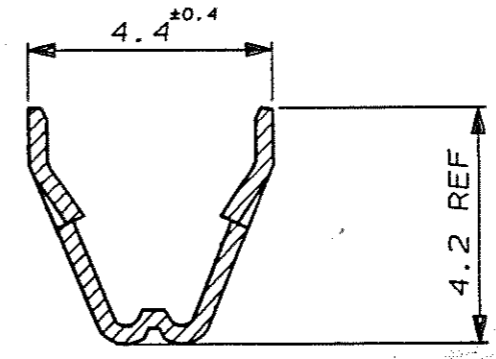
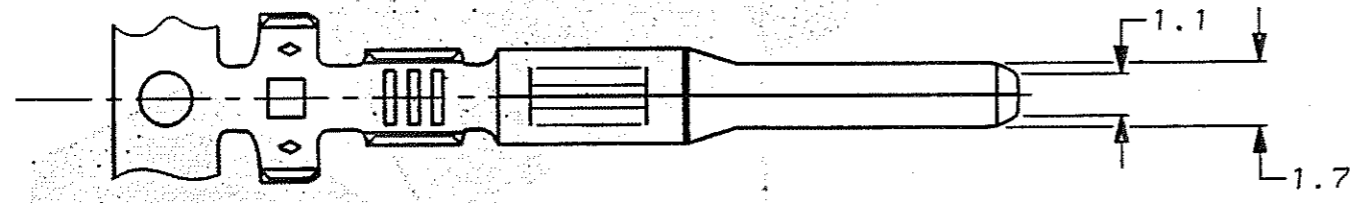


C.A.D. FILE CODE
S. C345210.B



NOTES: -
1 WIRE DETAILS : 0.3-0.5mm² , 1.2-2.0 INS. DIA.
2 SIMILAR TO PART NUMBER 173633.

| | | | | |
|------------------------------------|-------------------|--|-------------|---|
| PRE-TIN | | BRASS | 345210-1 | |
| FINISH | | MATERIAL | PART NUMBER | |
| CUSTOMER DWG FOR REFERENCE ONLY | | ©COPYRIGHT 1991 BY AMP OF GREAT BRITAIN LTD. ALL INTERNATIONAL RIGHTS RESERVED. ALL PRODUCTS MAY BE COVERED BY BRITISH AND FOREIGN PATENTS AND/OR PATENTS PENDING. | | RELEASED FOR PUBLICATION 16 OCT 1991 |
| - | - | TOLERANCES UNLESS OTHERWISE STATED : | | DR. D.R. TERRY 16 OCT 1991 |
| - | - | DEC ± 0.5 | | CH. M MISTRY APP. M MISTRY |
| - | - | ANGLES ± 1° | | AMP TERMINAL HOUSE of Great Britain Ltd. STANMORE MIDD. |
| B | EB00-019-02 | - | -1-7-02 | NAME .070 SERIES TAB CONTACT, MULTILOCK |
| A | SEE EB00-0191-93 | 18-6-93 | | SCALE LOC SIZE DWG.No. |
| 0 | RELEASE FOR PROD. | C6323 | 24-8-92 | 5/1 E A3 C345210 |
| 1 | M. MISTRY | - | 16-10-91 | REV SHEET B 1/1 |
| REV | APPROVED | ECN | DATE | |