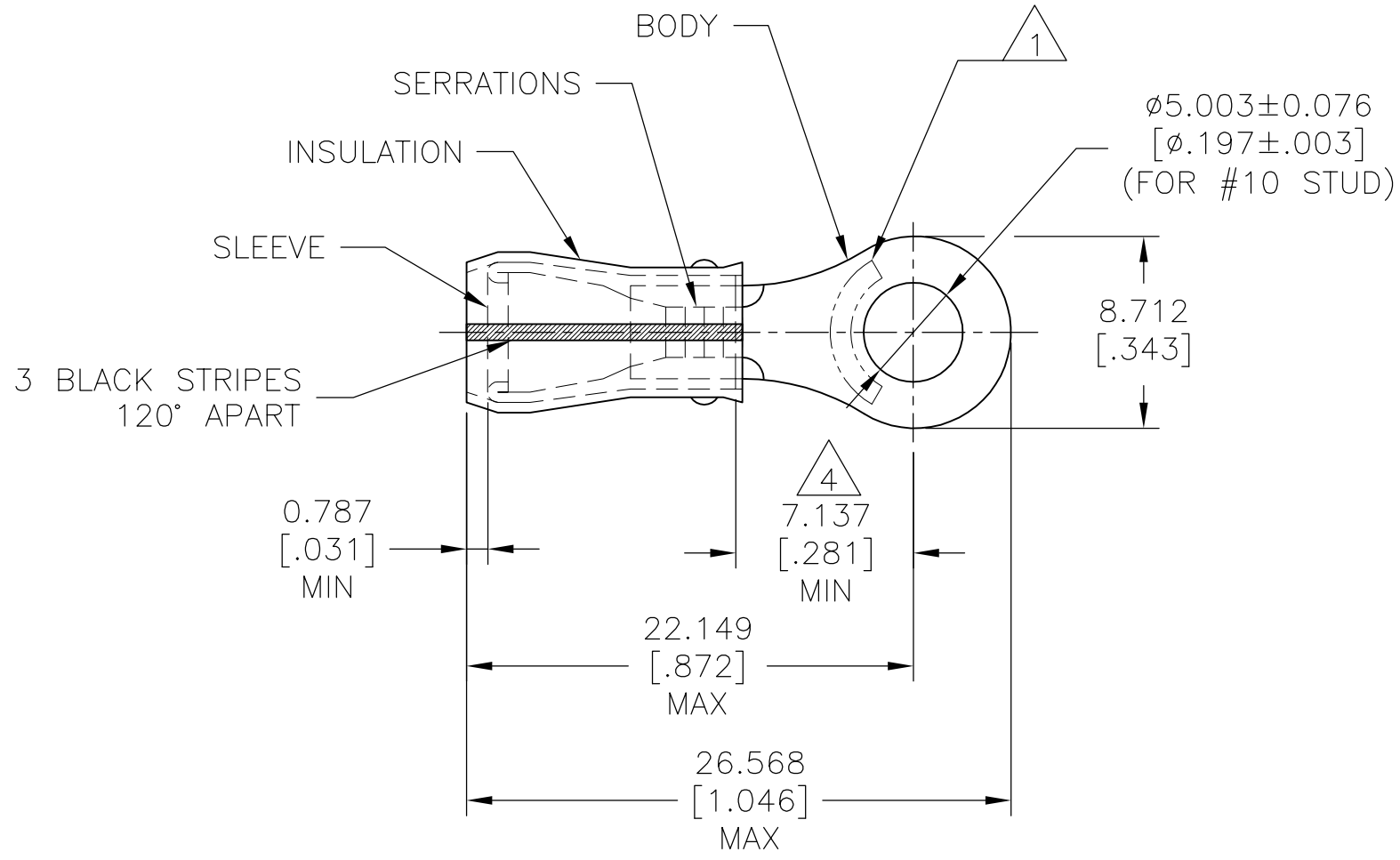


REVISIONS					
P	LTR	DESCRIPTION	DATE	DWN	APVD
	H	REVISED PER ECO-14-015277	27FEB2015	NK	DR
	H1	REVISED PER ECO-17-007400	01DEC2017	RS	DR



AMP WIRE RANGE	E13288	LR7189 Certified
16-14 AWG SOLID OR STRANDED	16-14 AWG SOLID OR STRANDED	16-14 AWG SOLID OR STRANDED

- △ 1 STAMP AMP 16-14 HD* APPROX AS SHOWN.
- 2 WIRE INSULATION: $\phi 3.810-6.350[\phi .150-.250]$.
- 3 BODY MATERIAL THK, $1.219\pm 0.051[.048\pm .002]$.
- △ 4 APPLIES FROM EDGE OF METAL WIRE BARREL TO CENTER OF STUD HOLE.

2500	ON TAPE, REEL	2-34805-1
500	LOOSE PIECE	34805
QTY	PACKAGE TYPE	PART NO

AMP INCORPORATED CUSTOMER SERVICE SYSTEM		MAX RECOMMENDED OPERATING TEMPERATURE: 105°C [221°F]	THIS DRAWING IS A CONTROLLED DOCUMENT.		DWN M ELLIS 28SEP95	TE Connectivity						
FOR ADDITIONAL PRODUCT INFORMATION OR COPIES OF DRAWINGS AND TECHNICAL DOCUMENTS	PRODUCT INFORMATION CENTER 1-800-522-6752		VOLTAGE RATING: 300 V MAX	DIMENSIONS: mm [INCHES]	TOLERANCES UNLESS OTHERWISE SPECIFIED:					CHK C PRESNELL 28SEP95	NAME TERMINAL, RING TONGUE, PIDG™ WIRE SIZE, 16-14 HD AWG	
FOR APPLICATION TOOLING INFORMATION	TOOLING ASSISTANCE CENTER 1-800-722-1111	CIRCULAR MIL AREA: 1.04mm² - 2.62mm² [2050-5180]		0 PLC ± -	APVD N BIRCH 28SEP95	PRODUCT SPEC UL 486 A-B						
FOR ORDER ENTRY	1-800-526-5142			MATERIAL BODY,SLV,COPPER PER ASTM B 152 INSUL,NYLON,COLOR,YELLOW	1 PLC ± -	2 PLC ± -	3 PLC ± 0.127[.005]	4 PLC ± -	FINISH BODY & SLV,TIN PLATE PER ASTM B545	APPLICATION SPEC 114-2157	SIZE A3	CAGE CODE 00779
CUSTOMER DRAWING					WEIGHT -	SCALE 4:1	SHEET 1 OF 1	REV H1				