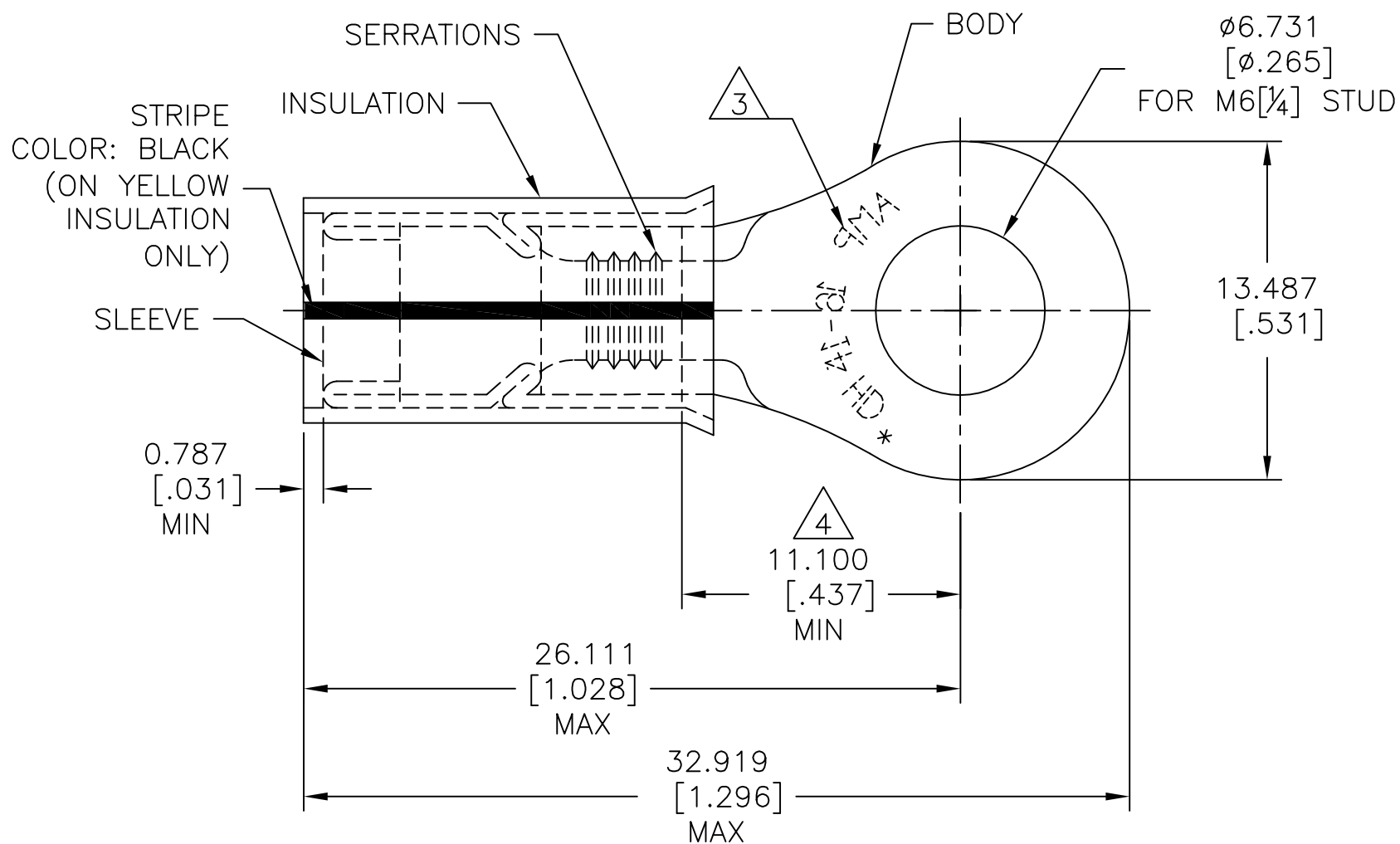


P	LTR	DESCRIPTION	DATE	DWN	APVD
	N1	REDRAWN PER ECO-17-007400	11DEC2017	RS	DR

AMP WIRE RANGE	Listed FILE E13288	LR7189 Certified
16-14 AWG SOLID OR STRANDED	16-14 AWG SOLID OR STRANDED	16-14 AWG SOLID OR STRANDED



- 1 FOR $\phi 3.810[\phi.150]$ TO $\phi 6.350[\phi.250]$ WIRE INSULATION.
- 2 BODY MATERIAL THICKNESS: $1.219 \pm 0.051[.048 \pm .002]$
- 3 STAMP AMP 16-14 HD* APPROX AS SHOWN.
- 4 APPLIES FROM EDGE OF METAL WIRE BARREL TO CENTER OF STUD HOLE.
- 5 MATERIAL:
BODY & SLEEVE: COPPER ASTM B152
INSULATION: NYLON
- 6 FINISH:
BODY & SLEEVE: TIN PER ASTM B545
INSULATION: SEE TABLE

QTY.	DESCRIPTION	FINISH	PART NO.
2500	34806 ON TAPE	INSULATION COLOR: YELLOW	2-34806-3
2500	2-34806-1 ON TAPE	INSULATION COLOR: BLUE	2-34806-2
500	LOOSE PIECE	INSULATION COLOR: YELLOW	34806

THIS DRAWING IS A CONTROLLED DOCUMENT.		DWN RAVI S 11DEC2017	TE Connectivity													
DIMENSIONS: mm [INCHES]		CHK ROHDE DANIEL F 11DEC2017														
TOLERANCES UNLESS OTHERWISE SPECIFIED:		APVD ROHDE DANIEL F 11DEC2017	NAME TERMINAL, PIDG-RING TOUNGE, WIRE SIZE: 16-14(HD)													
<table border="0"> <tr> <td>0 PLC</td> <td>± -</td> </tr> <tr> <td>1 PLC</td> <td>± -</td> </tr> <tr> <td>2 PLC</td> <td>± -</td> </tr> <tr> <td>3 PLC</td> <td>± 0.127[.005]</td> </tr> <tr> <td>4 PLC</td> <td>± -</td> </tr> <tr> <td>ANGLES</td> <td>± -</td> </tr> </table>		0 PLC	± -	1 PLC	± -	2 PLC	± -	3 PLC	± 0.127[.005]	4 PLC	± -	ANGLES	± -	PRODUCT SPEC UL 486 A-B	SIZE A3	
0 PLC	± -															
1 PLC	± -															
2 PLC	± -															
3 PLC	± 0.127[.005]															
4 PLC	± -															
ANGLES	± -															
MATERIAL		APPLICATION SPEC 114-2157	CAGE CODE 00779	DRAWING NO C-34806												
FINISH		WEIGHT -	RESTRICTED TO -													
<table border="0"> <tr> <td></td> <td></td> </tr> </table>				CUSTOMER DRAWING		SCALE 4:1										
		SHEET 1 OF 1		REV N1												