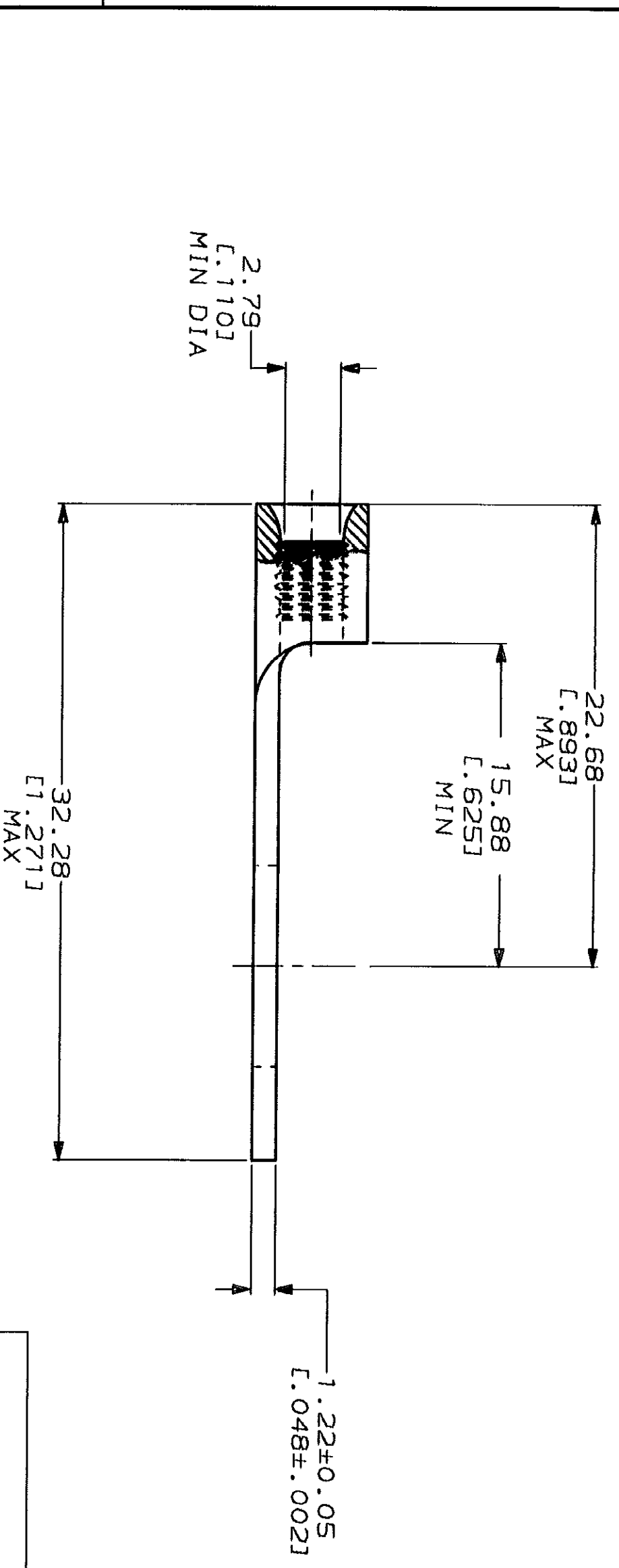


METPRIG
 DIMENSIONS LISTED IN MM [INCHES]

AMP WIRE RANGE	UL Listed E13288
16-14HD AWG STRANDED	16-14HD AWG STRANDED
LR7189 Certified	MILITARY P/N AND CLASS
NOT CERTIFIED	NOT APPLICABLE

△ STAMP AMP 16-14HD* APPROX AS SHOWN



34830
 PART NO

AMP INCORPORATED
CUSTOMER SERVICE SYSTEMS

MAX RECOMMENDED OPERATING TEMPERATURE: 170°C MAX
 VOLTAGE RATING: NOT APPLICABLE
 WIRE CROSS SECTIONAL AREA RANGE: 1.04-2.62mm² [2,050-5,180] CIR MILS STRANDED

DO NOT SCALE PRINT. UNLESS SPECIFIED DIMENSIONS IN mm - FINEST TOLERANCES ON: 2 PLC DEC ± - - 3 PLC DEC ± - - ANGLES

DR 2-1-93 TA BRINKMAN
 CHK 2-1-93 DA PATTERSON
 APPD 2-1-93 DE MILLER
 APPD 2-1-93 JL MECKLEY
 PRODUCT SPEC

AMP AMP Incorporated
 Harrisburg, PA 17105-3608

FOR ADDITIONAL PRODUCT INFORMATION OR COPIES OF DRAWINGS AND TECHNICAL DOCUMENTS
 PRODUCT INFORMATION CENTER
 1-800-522-6752

FOR APPLICATION TOOLING INFORMATION
 TOOLING ASSISTANCE CENTER
 1-800-722-1111

FINISH TIN PLATE
 0.00254 [0.00100] MIN THK PER MIL-T-10727

APPLICATION SPEC

TERMINAL, RING TONGUE, HEAVY DUTY, BUDGET

FOR ORDER ENTRY
 1-800-526-5142

THIS DRAWING IS A CONTROLLED DOCUMENT FOR THE COMPANY. IT IS SUBJECT TO CHANGE AND THE COMPANY IS NOT RESPONSIBLE FOR THE LATEST REVISION.

SCALE 4:1

SIZE CAGE CODE 00779
 DRAWING NO G-34830

34830
 SHEET 1 OF 1