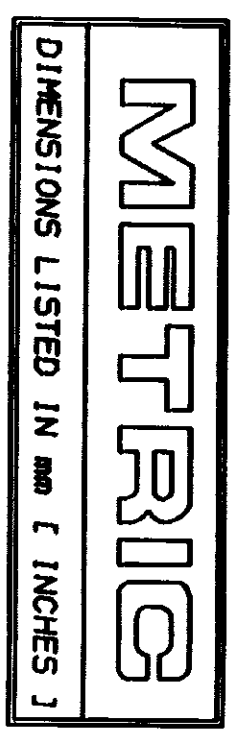
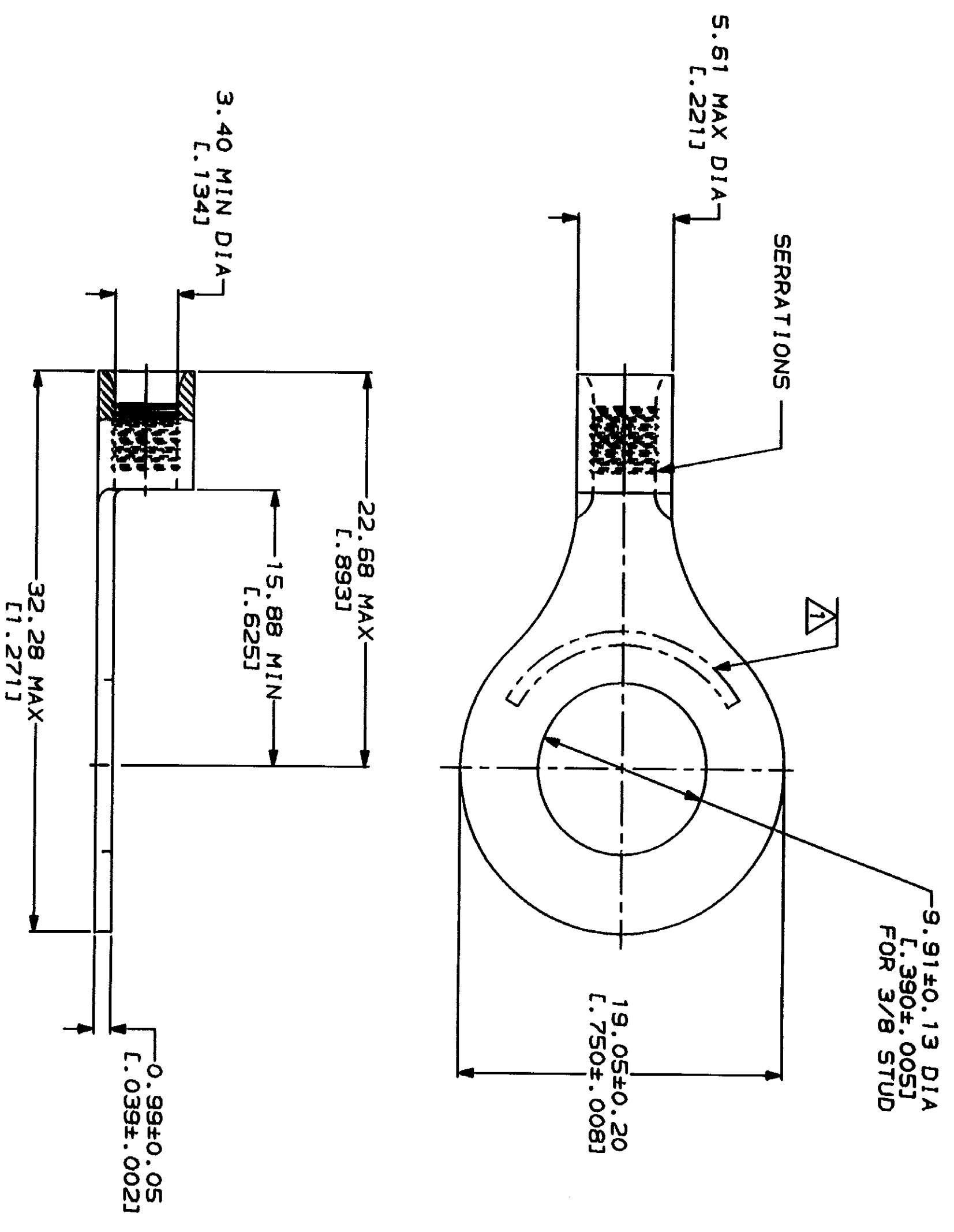


LOC	DIST	ZONE	LTR	REVISIONS	DATE	APPD
G	14	A		REVISED PER 0720-0230-93	2/28/93	AMP



AMP WIRE RANGE	IL E13288 IL Listed
12-10 AWG STRANDED	12-10 AWG STRANDED
LR2189 Certified	MILITARY P/N AND CLASS
NOT CERTIFIED	NOT APPLICABLE

△ STAMP AMP 12-10\* APPROX AS SHOWN



AMP INCORPORATED  
 CUSTOMER SERVICE SYSTEMS

FOR ADDITIONAL  
 PRODUCT INFORMATION OR  
 COPIES OF DRAWINGS  
 AND TECHNICAL DOCUMENTS

FOR APPLICATION  
 TOOLING INFORMATION  
 FOR ORDER ENTRY

MAX RECOMMENDED OPERATING  
 TEMPERATURE:  
 170°C MAX

VOLTAGE RATINGS:  
 NOT APPLICABLE

WIRE CROSS SECTIONAL AREA RANGE:  
 2.62-6.64mm<sup>2</sup> [5,180-13,100] CIR MILS  
 STRANDED

DO NOT SCALE PRINT.  
 UNLESS SPECIFIED  
 DIMENSIONS IN mm [INCHES]  
 TOLERANCES ON:  
 2 PLG DEC ± .1  
 3 PLG DEC ± .1  
 ANGLES

MATERIAL  
 COPPER PER  
 ASTM B-152  
 ANNEALED

FINISH  
 TIN PLATE  
 0.00254 [L.000100] MIN  
 THK PER MIL-T-10727

DR 2-9-93  
 TA BRINKMAN

CHK 2-9-93  
 DA PATTERSON

APPD 2-9-93  
 DE MILLER

AMP Incorporated  
 Harrisburg, PA 17105-3608

NAME  
 TERMINAL, RING TONGUE,  
 BUDGET

SIZE CASE CODE DRAWING NO  
 00779 C-34833  
 SCALE 4:1 SHEET 1 OF 1